

Excellent Integrated System Limited

Stocking Distributor

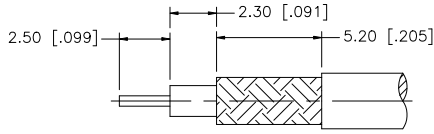
Click to view price, real time Inventory, Delivery & Lifecycle Information:

[Amphenol RF](#)
[132117RP](#)

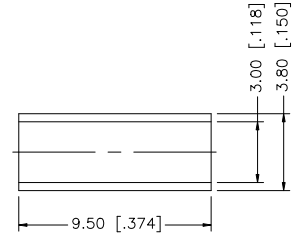
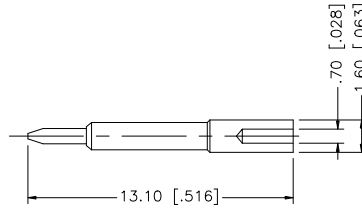
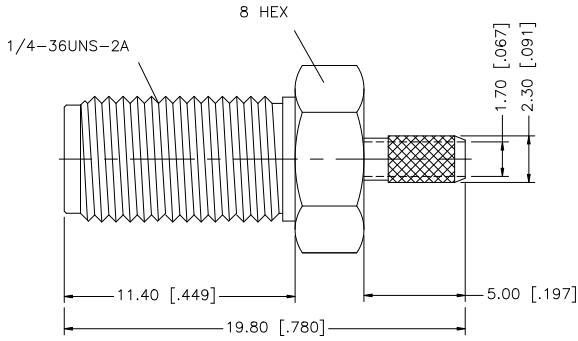
For any questions, you can email us directly:

sales@integrated-circuit.com

REV.	DATE	DESCRIPTION
NC	01/25/00	INITIAL RELEASE
A	02/19/07	UPDATE DRAWING FORMAT
B	06/14/07	REVISE CRIMP NOTES
C	09/03/07	REVISE CRIMP NOTES, REMOVE NOTE 2.



RECOMMENDED
CABLE STRIPPING DIM'S



NOTE:
1. CRIMPED FERRULE HEX CRIMP SIZE .128"

				UNLESS OTHERWISE SPECIFIED DIMENSIONS ARE IN MILLIMETERS; DIMENSIONS IN [] ARE IN INCHES AND FOR CUSTOMER REFERENCE ONLY.	APPROVALS	DATE	Amphenol Connex				
8					DRAWN	G.R.S.					09/03/07
7					CHECKED			PART NO. 132117RP			
6					ISSUED						
5					SHEET	1 OF 1		REV. C SIZE A SCALE NA			
4	FERRULE	BRASS	GOLD	1	CAD FILE C:/132/132117RP.DWG						
3	CONTACT PIN	BRASS	GOLD	1							
2	INSULATOR	TEFLON	NATURAL	1							
1	BODY	BRASS	GOLD	1							
DESCRIPTION MATERIAL FINISH QTY				DO NOT SCALE DRAWING							

UNLESS OTHERWISE SPECIFIED DIMENSIONS ARE IN MILLIMETERS; DIMENSIONS IN [] ARE IN INCHES AND FOR CUSTOMER REFERENCE ONLY.

UNLESS OTHERWISE SPECIFIED TOLERANCES FOR MILLIMETERS ARE:
 0.5 - 8mm ± 0.20mm
 8 - 30mm ± 0.40mm
 30 - 120mm ± 0.50mm

UNLESS OTHERWISE SPECIFIED TOLERANCES FOR INCHES ARE:
 .020 - .315 = ± 0.007"
 .315 - 1.180 = ± 0.015"
 1.180 - 4.724 = ± 0.020"