

## **Excellent Integrated System Limited**

Stocking Distributor

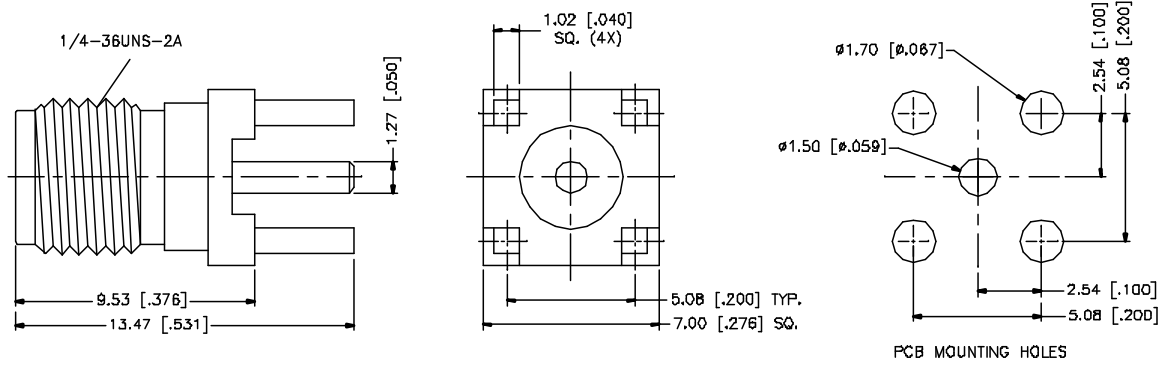
Click to view price, real time Inventory, Delivery & Lifecycle Information:

[Amphenol RF](#)  
[132134](#)

For any questions, you can email us directly:

[sales@integrated-circuit.com](mailto:sales@integrated-circuit.com)

REV.	DATE	DESCRIPTION
A	04/31/03	UPDATE DRAWING FORMAT
B	11/29/04	MODIFY FLANGE TO 7.0mm SQUARE



REV.	DESCRIPTION	MATERIAL	FINISH	QTY	APPROVALS	DATE	Amphenol Connex							
8					DRAWN	G.R.S.	11/29/04	<b>SMA P.C.B JACK (EXTENDED LEGS)</b>  PART NO. <b>132134</b>						
7				CHECKED										
6				ISSUED										
5	RING	BRASS	GOLD	1	SHEET	1 OF 1								
4	INSULATOR	TEFLON	NATURAL	1	DATE FILE	C:/132/13134.DWG	DWG. NO.	132134.DWG	REV.	B	SIZE	A	SCALE	NA
3	CONTACT PIN	BER. COPPER	GOLD	1										
2	INSULATOR	TEFLON	NATURAL	1										
1	BODY	BRASS	GOLD	1										
<small>UNLESS OTHERWISE SPECIFIED DIMENSIONS ARE IN MILLIMETERS. DIMENSIONS IN [ ] ARE IN INCHES AND FOR CUSTOMER REFERENCE ONLY.</small> <small>UNLESS OTHERWISE SPECIFIED TOLERANCES FOR MILLIMETER ARE:</small> 0.5 - 6mm ± 0.20mm 6 - 30mm ± 0.40mm 30 - 120mm ± 0.50mm <small>UNLESS OTHERWISE SPECIFIED TOLERANCES FOR INCHES ARE:</small> .020 - .315 = ± 0.007" .315 - 1.180 = ± 0.015" 1.180 - 4.724 = ± 0.020"														
DO NOT SCALE DRAWING														