

Excellent Integrated System Limited

Stocking Distributor

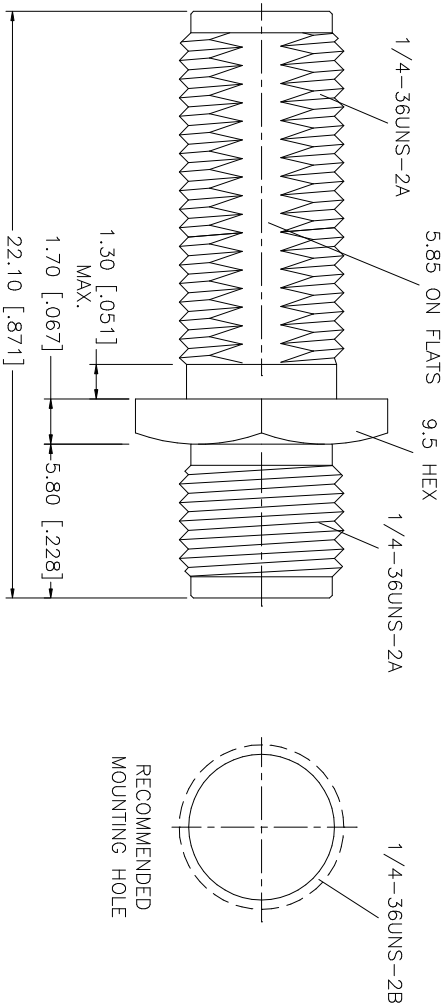
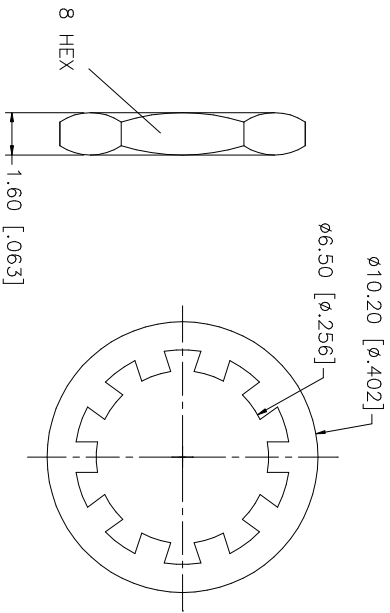
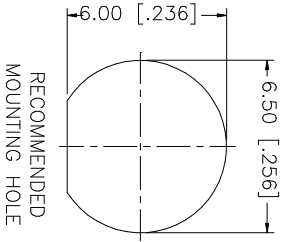
Click to view price, real time Inventory, Delivery & Lifecycle Information:

[Amphenol RF](#)
[132170](#)

For any questions, you can email us directly:

sales@integrated-circuit.com

REV.	DATE	DESCRIPTION
C	04/08/01	ADD NOTES AND MOUNTING HOLE
D	04/31/03	UPDATE DRAWING FORMAT



NOTES:

- MAX. PANEL THICKNESS = 6.5mm
MIN. PANEL THICKNESS = 2mm

QTY	DESCRIPTION	MATERIAL	FINISH	QTY	UNLESS OTHERWISE SPECIFIED DIMENSIONS ARE IN MILLIMETERS. DIMENSIONS IN PARENS ARE IN INCHES AND FOR CONFORM REFERENCE ONLY.	UNLESS OTHERWISE SPECIFIED TOLERANCES FOR MILLIMETERS ARE:	UNLESS OTHERWISE SPECIFIED TOLERANCES FOR INCHES ARE:	APPROVALS	DATE	PART DESCRIPTION							
1	HEX NUT	BRASS	GOLD	1	0.5 - 8mm ± 0.20mm	0.5 - 8mm ± 0.20mm	.020 - .315 = ± 0.007"	DRAWN	G.R.S.	04/31/03	Amphenol Connex SMA BULKHEAD FEMALE TO FEMALE ADAPTOR						
1	LOCK WASHER	BRASS	GOLD	1	8 - 30mm ± 0.40mm	8 - 30mm ± 0.40mm	.315 - 1.180 = ± 0.015"	CHECKED									
1	CONTACT PIN	BER. COPPER	GOLD	1	30 - 120mm ± 0.50mm	30 - 120mm ± 0.50mm	1.180 - 4.724 = ± 0.020"	ISSUED									
1	INSULATOR	TEFLON	NATURAL	1				SHEET	1 OF 1								
1	BODY	BRASS	GOLD	1													
	DESCRIPTION	MATERIAL	FINISH	QTY	DO NOT SCALE DRAWING			CAD FILE	C:/132/132170.DWG	DWG. NO.	132170.DWG	REV.	D	SIZE	A	SCALE	NA