

Excellent Integrated System Limited

Stocking Distributor

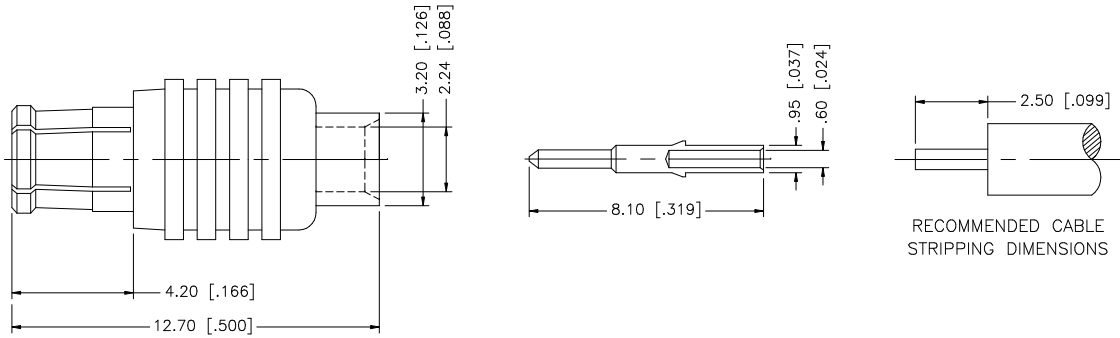
Click to view price, real time Inventory, Delivery & Lifecycle Information:

[Amphenol RF
252107](#)

For any questions, you can email us directly:

sales@integrated-circuit.com

REV.	DATE	DESCRIPTION
A	04/31/03	UPDATE DRAWING FORMAT



8				<small>UNLESS OTHERWISE SPECIFIED DIMENSIONS ARE IN MILLIMETERS. DIMENSIONS IN [] ARE IN INCHES AND FOR CUSTOMER REFERENCE ONLY.</small> <small>UNLESS OTHERWISE SPECIFIED TOLERANCES FOR MILLIMETERS ARE:</small> 0.5 - 8mm ± 0.20mm 8 - 30mm ± 0.40mm 30 - 120mm ± 0.50mm <small>UNLESS OTHERWISE SPECIFIED TOLERANCES FOR INCHES ARE:</small> .020 - .315 = ± 0.007" .315 - 1.180 = ± 0.015" 1.180 - 4.724 = ± 0.020" DO NOT SCALE DRAWING	APPROVALS	DATE	<h1 style="color: blue;">Amphenol Connex</h1>							
7					DRAWN	G.R.S.		04/31/03	PART DESCRIPTION MCX DIRECT SOLDER PLUG (FOR .085", .086")					
6					CHECKED									
5					ISSUED									
4					SHEET	1 OF 1								
3	CONTACT PIN	BRASS	GOLD		1					PART NO. 252107				
2	INSULATOR	TEFLON	NATURAL	1										
1	BODY	BER. COPPER	GOLD	1										
	DESCRIPTION	MATERIAL	FINISH	QTY	CAD FILE	C:/252/252107.DWG	DWG. NO.	252107.DWG	REV.	A	SIZE	A	SCALE	NA