

Excellent Integrated System Limited

Stocking Distributor

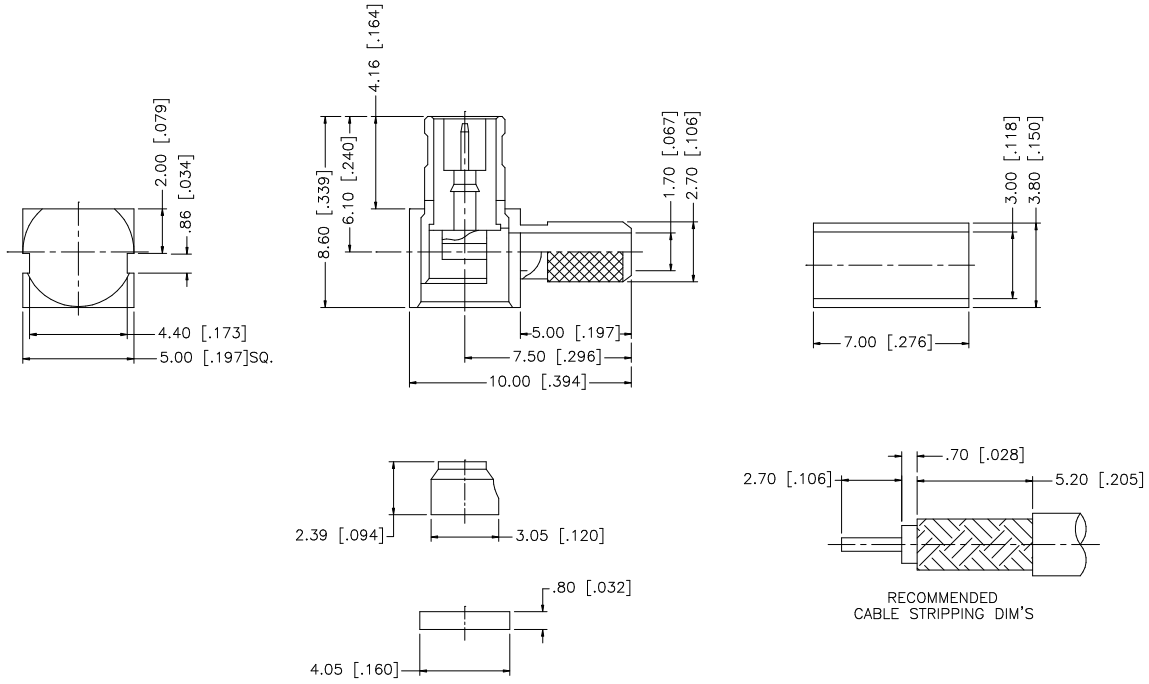
Click to view price, real time Inventory, Delivery & Lifecycle Information:

[Amphenol RF](#)
[252102](#)

For any questions, you can email us directly:

sales@integrated-circuit.com

REV.	DATE	DESCRIPTION
A	06/05/03	UPDATE DRAWING FORMAT
B	11/13/06	MODIFY BARREL O.D. TO 2.7mm



- NOTE:
1. CRIMPED FERRULE HEX CRIMP SIZE .128"
 2. CONTACT PIN TO SOLDER

8	UNLESS OTHERWISE SPECIFIED DIMENSIONS ARE IN MILLIMETERS DIMENSIONS IN [] ARE IN INCHES AND FOR CUSTOMER REFERENCE ONLY.			APPROVALS	DATE	<h1 style="color: blue; margin: 0;">Amphenol Connex</h1>
7	UNLESS OTHERWISE SPECIFIED TOLERANCES FOR MILLIMETERS ARE: 0.5 - 8mm ± 0.20mm 8 - 30mm ± 0.40mm 30 - 120mm ± 0.50mm UNLESS OTHERWISE SPECIFIED TOLERANCES FOR INCHES ARE: .020 - .315 = ± 0.007" .315 - 1.180 = ± 0.015" 1.180 - 4.724 = ± 0.020"			DRAWN G.R.S.	11/13/06	
6	FERRULE	COPPER	GOLD	1	CHECKED	PART NO. 252102
5	COVER	BRASS	GOLD	1	ISSUED	
4	INSULATOR	DELTRIN	NATURAL	1	SHEET 1 OF 1	REV. B SIZE A SCALE NA
3	CONTACT PIN	BRASS	GOLD	1	CAD FILE C:/252/252102.DWG	
2	INSULATOR	TEFLON	NATURAL	1		
1	BODY	BER. COPPER	GOLD	1		
	DESCRIPTION	MATERIAL	FINISH	QTY	DO NOT SCALE DRAWING	