

Excellent Integrated System Limited

Stocking Distributor

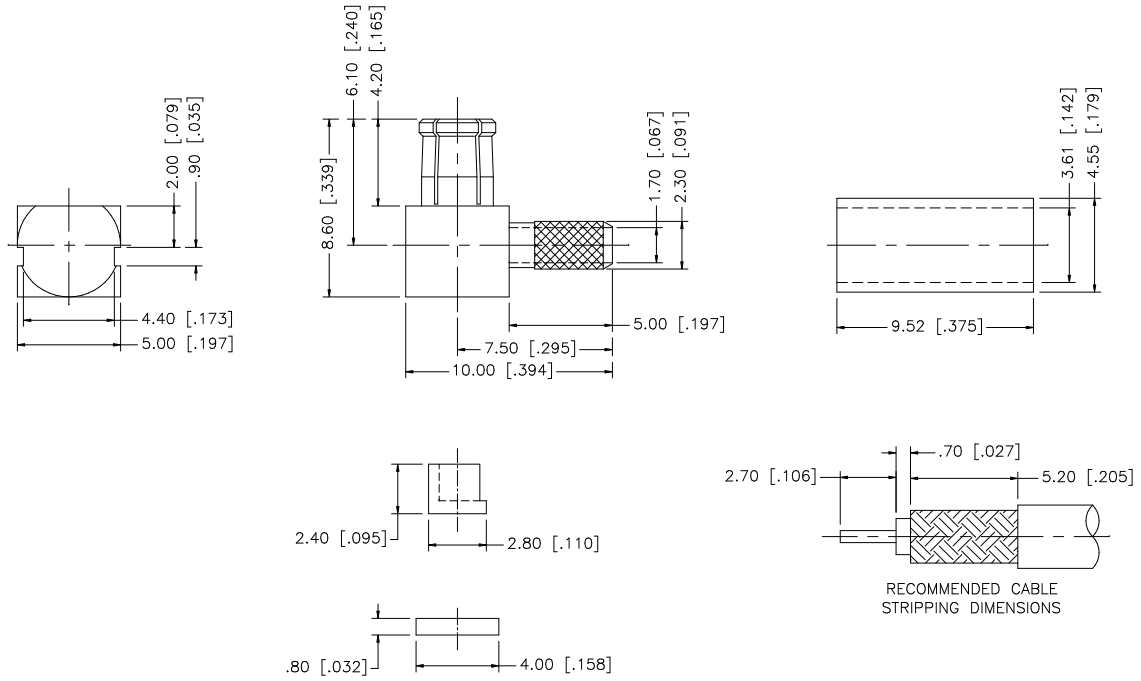
Click to view price, real time Inventory, Delivery & Lifecycle Information:

[Amphenol RF](#)
[252119](#)

For any questions, you can email us directly:

sales@integrated-circuit.com

REV.	DATE	DESCRIPTION
A	01/13/99	ADD CRIMP NOTES / CHANGE FERRULE DIMS.
B	05/01/04	UPDATE DRAWING FORMAT



- NOTE:
1. CRIMPED FERRULE
HEX CRIMP SIZE .151"
 2. CONTACT PIN TO SOLDER

DESCRIPTION	MATERIAL	FINISH	QTY	DO NOT SCALE DRAWING	APPROVALS	DATE	<h2 style="color: blue; margin: 0;">Amphenol Connex</h2>
8							
7							
6	FERRULE	COPPER	GOLD	1	DRAWN	G.R.S.	PART NO. 252119
5	COVER	BRASS	GOLD	1	CHECKED		
4	INSULATOR	DELTRIN	NATURAL	1	ISSUED		DWG. NO. 252119.DWG
3	CONTACT PIN	BRASS	GOLD	1	SHEET	1 OF 1	
2	INSULATOR	TEFLON	NATURAL	1	CAD FILE	C:/252/252119.DWG	REV. B SIZE A SCALE NA
1	BODY	BER. COPPER	GOLD	1			

UNLESS OTHERWISE SPECIFIED DIMENSIONS ARE IN MILLIMETERS. DIMENSIONS IN [] ARE IN INCHES AND TOP CUSTOMER REFERENCE ONLY.

UNLESS OTHERWISE SPECIFIED TOLERANCES FOR MILLIMETERS ARE:
 0.5 - 8mm ± 0.20mm
 8 - 30mm ± 0.40mm
 30 - 120mm ± 0.50mm

UNLESS OTHERWISE SPECIFIED TOLERANCES FOR INCHES ARE:
 .020 - .315 = ± 0.007"
 .315 - 1.180 = ± 0.015"
 1.180 - 4.724 = ± 0.020"