

Excellent Integrated System Limited

Stocking Distributor

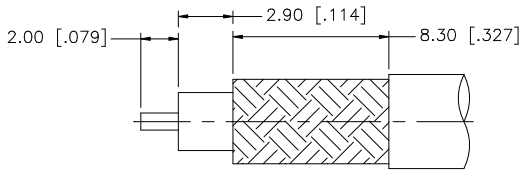
Click to view price, real time Inventory, Delivery & Lifecycle Information:

[Amphenol RF](#)
[142255](#)

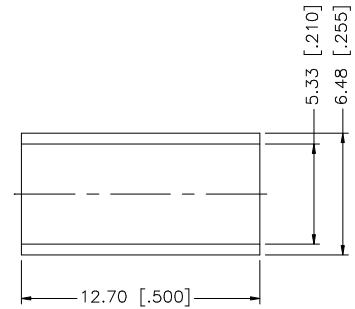
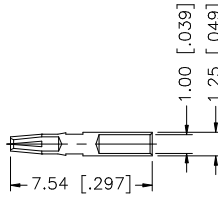
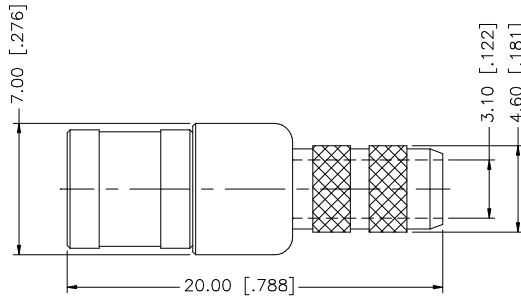
For any questions, you can email us directly:

sales@integrated-circuit.com

REV.	DATE	DESCRIPTION
NC	11/08/99	INITIAL RELEASE
A	10/01/06	UPDATE DRAWING FORMAT



RECOMMENDED
CABLE STRIPPING DIM'S



NOTE:
1. CRIMPED FERRULE HEX CRIMP SIZE .213"

8				<small>UNLESS OTHERWISE SPECIFIED DIMENSIONS ARE IN MILLIMETERS. DIMENSIONS IN [] ARE IN INCHES AND FOR CUSTOMER REFERENCE ONLY.</small> <small>UNLESS OTHERWISE SPECIFIED TOLERANCES FOR MILLIMETERS ARE:</small> 0.5 - 8mm ± 0.20mm 8 - 30mm ± 0.40mm 30 - 120mm ± 0.50mm <small>UNLESS OTHERWISE SPECIFIED TOLERANCES FOR INCHES ARE:</small> .020 - .315 = ± 0.007" .315 - 1.180 = ± 0.015" 1.180 - 4.724 = ± 0.020" DO NOT SCALE DRAWING	APPROVALS	DATE	<h1 style="color: blue; text-align: center;">Amphenol Connex</h1>	
7			DRAWN		G.R.S.	10/01/06		PART DESCRIPTION <h2 style="text-align: center;">SMB CRIMP PLUG (FOR RG-58/U CABLE)</h2>
6			CHECKED					
5			ISSUED					
4	FERRULE	COPPER	GOLD	1			PART NO. <h2 style="text-align: center;">142255</h2>	
3	CONTACT PIN	BER. COPPER	GOLD	1				
2	INSULATOR	TEFLON	NATURAL	1			DWG. NO. 142255.DWG REV. A SIZE A SCALE NA	
1	BODY	BRASS	GOLD	1				
	DESCRIPTION	MATERIAL	FINISH	QTY	CAD FILE	C:/142/142255.DWG		