

## Excellent Integrated System Limited

Stocking Distributor

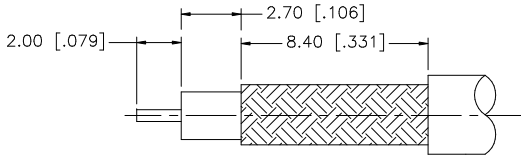
Click to view price, real time Inventory, Delivery & Lifecycle Information:

[Amphenol RF](#)  
[142222-75](#)

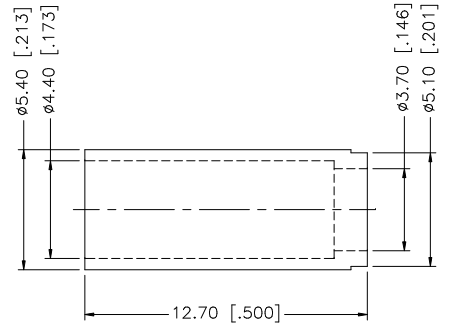
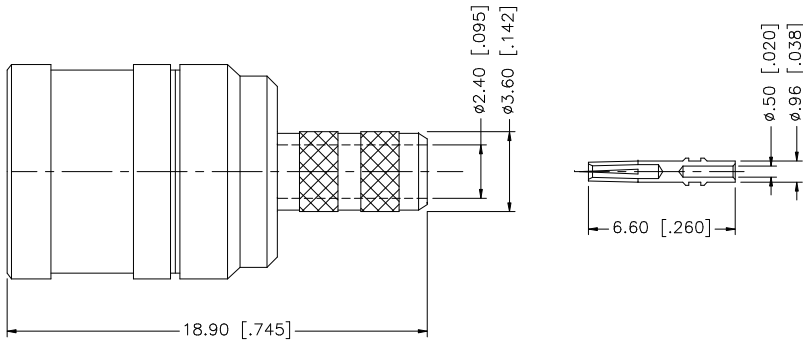
For any questions, you can email us directly:

[sales@integrated-circuit.com](mailto:sales@integrated-circuit.com)

REV.	DATE	DESCRIPTION
NC	03/06/00	INITIAL RELEASE
A	12/12/05	UPDATE DRAWING FORMAT



RECOMMENDED  
CABLE STRIPPING DIM'S



NOTE:

1. CRIMPED FERRULE  
HEX CRIMP SIZE .178"
2. CONTACT PIN TO SOLDER.

DESCRIPTION	MATERIAL	FINISH	QTY	UNLESS OTHERWISE SPECIFIED DIMENSIONS ARE IN MILLIMETERS. DIMENSIONS IN [ ] ARE IN INCHES AND FOR CUSTOMER REFERENCE ONLY.	APPROVALS	DATE	<h2 style="color: blue; margin: 0;">Amphenol Connex</h2>
8							
7			1		APPROVED	12/12/05	
6				UNLESS OTHERWISE SPECIFIED TOLERANCES FOR MILLIMETERS ARE: 0.5 - 8mm ± 0.20mm 8 - 30mm ± 0.40mm 30 - 120mm ± 0.50mm	DRAWN	G.R.S.	
5				UNLESS OTHERWISE SPECIFIED TOLERANCES FOR INCHES ARE: .020 - .315 = ± 0.007" .315 - 1.180 = ± 0.015" 1.180 - 4.724 = ± 0.020"	CHECKED		
4	FERRULE	BRASS	GOLD		ISSUED		
3	CONTACT PIN	BER. COPPER	GOLD	1	SHEET	1 OF 1	
2	INSULATOR	TEFLON	NATURAL	1			
1	BODY	BRASS	GOLD	1			
				DO NOT SCALE DRAWING	CAD FILE	C:/142/142222-75.DWG	PART NO. <b>142222-75</b> DWG. NO. 142222-75.DWG REV. A SIZE A SCALE NA