

Excellent Integrated System Limited

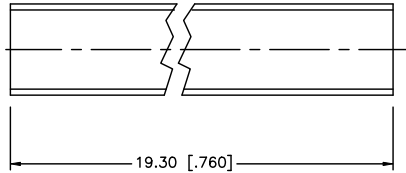
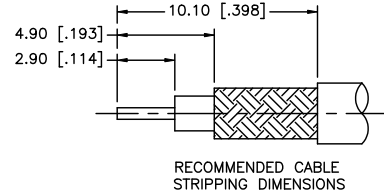
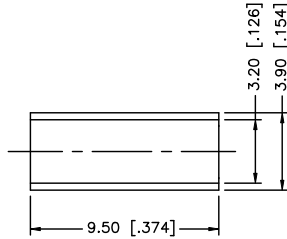
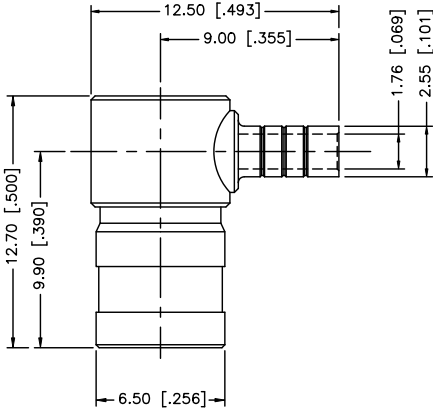
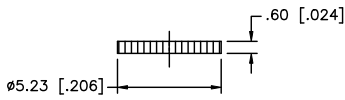
Stocking Distributor

Click to view price, real time Inventory, Delivery & Lifecycle Information:

[Amphenol RF](#)
[142194](#)

For any questions, you can email us directly:
sales@integrated-circuit.com

REV.	DATE	ECR NO.	DESCRIPTION
A	03/20/03	-	UPDATE PART DIMENSIONS / DRAWING FORMAT
B	05/08/07	-	REVISE BARREL, FERRULE DIMENSIONS
C	11/12/08	-	REVISE HOUSING, BODY, FERRULE, COVER PLATING TO GOLD



NOTE:
 1. CRIMPED FERRULE HEX CRIMP SIZE .128"
 2. CONTACT PIN TO SOLDER

QTY	DESCRIPTION	MATERIAL	FINISH	QTY	UNLESS OTHERWISE SPECIFIED DIMENSIONS ARE IN MILLIMETERS. DIMENSIONS IN [] ARE IN INCHES AND FOR CUSTOMER REFERENCE ONLY.	APPROVALS	DATE	<h2 style="text-align: center;">Amphenol Connex</h2> <p style="text-align: center;">PART DESCRIPTION SMB R/A CRIMP PLUG (FOR RG-174/U, 188A/U, 316/U CABLE)</p> <p style="text-align: center;">PART NO. 142194</p> <p style="text-align: center;">DWG. NO. 142194.DWG REV. NC SIZE A SCALE NA</p>	
1	HEAT SHRINK TUBE			1	UNLESS OTHERWISE SPECIFIED TOLERANCES FOR MILLIMETERS ARE: 0.5 - 8mm ± 0.20mm 8 - 30mm ± 0.40mm 30 - 120mm ± 0.50mm UNLESS OTHERWISE SPECIFIED TOLERANCES FOR INCHES ARE: .020 - .315 = ± 0.007" .315 - 1.180 = ± 0.015" 1.180 - 4.724 = ± 0.020" DO NOT SCALE DRAWING	DRAWN	GRS		11/12/08
1	COVER	BRASS	GOLD	1		CHECKED			
1	FERRULE	COPPER	GOLD	1		ISSUED			
1	CONTACT PIN	BER. COPPER	GOLD	1		SHEET	1 OF 1		
1	INSULATOR	PTFE	NATURAL	1		CAD FILE	C:/142/142194.DWG		