

Excellent Integrated System Limited

Stocking Distributor

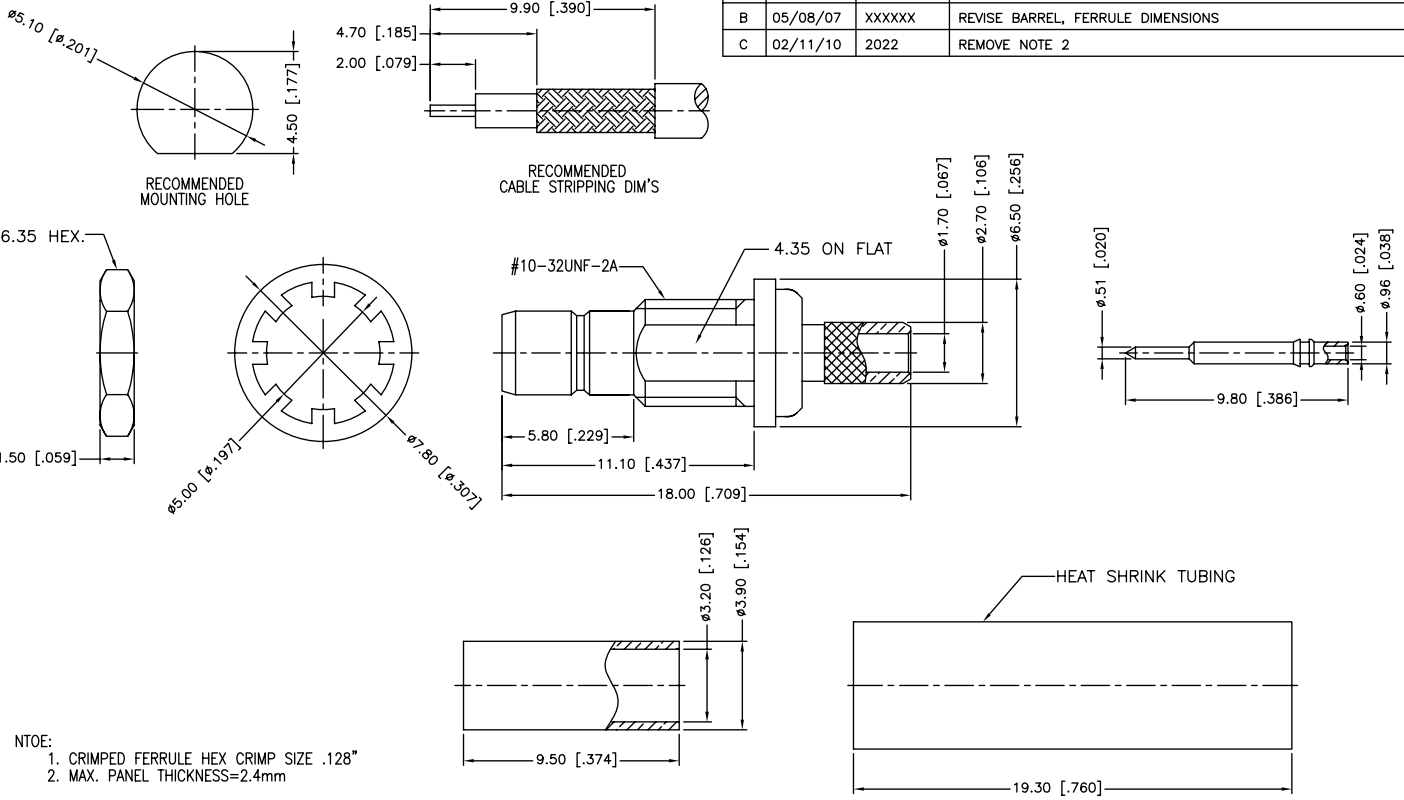
Click to view price, real time Inventory, Delivery & Lifecycle Information:

[Amphenol RF](#)
[142191](#)

For any questions, you can email us directly:

sales@integrated-circuit.com

REV.	DATE	ECR NO.	DESCRIPTION
A	06/05/03	XXXXXX	UPDATE DRAWING FORMAT
B	05/08/07	XXXXXX	REVISE BARREL, FERRULE DIMENSIONS
C	02/11/10	2022	REMOVE NOTE 2



NTOE:
 1. CRIMPED FERRULE HEX CRIMP SIZE .128"
 2. MAX. PANEL THICKNESS=2.4mm

DESCRIPTION	MATERIAL	FINISH	QTY
8 HEAT SHRINK TUBING	BRASS	BLACK	1
7 HEX NUT	BRASS	GOLD	1
6 LOCK WASHER	BRASS	GOLD	1
5 FERRULE	BRASS	GOLD	1
4 CONTACT PIN	BRASS	GOLD	1
3 BARREL	BRASS	GOLD	1
2 INSULATOR	PTFE	NATURAL	2
1 BODY	BRASS	GOLD	1

UNLESS OTHERWISE SPECIFIED DIMENSIONS ARE IN MILLIMETERS. DIMENSIONS IN [] ARE IN INCHES AND FOR CUSTOMER REFERENCE ONLY.
 UNLESS OTHERWISE SPECIFIED TOLERANCES FOR MILLIMETERS ARE:
 0.5 - 8mm ± 0.20mm
 8 - 30mm ± 0.40mm
 30 - 120mm ± 0.50mm
 UNLESS OTHERWISE SPECIFIED TOLERANCES FOR INCHES ARE:
 .020 - .315 = ± 0.007"
 .315 - 1.180 = ± 0.015"
 1.180 - 4.724 = ± 0.020"
 DO NOT SCALE DRAWING

APPROVALS	DATE
DRAWN TANGOR	02/11/10
CHECKED	
ISSUED	
SHEET 1 OF 1	
CAD FILE C:/CONNEX/142191.DWG	

PART DESCRIPTION			
Amphenol Connex			
SMB BULKHEAD CRIMP JACK (FOR RG-174/U, 188A/U, 316/U)			
PART NO. 142191			
DWG. NO.	142191.DWG	REV. C	SIZE A SCALE NA