

Excellent Integrated System Limited

Stocking Distributor

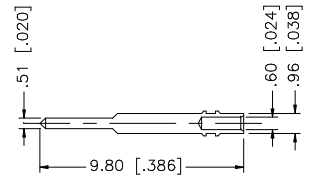
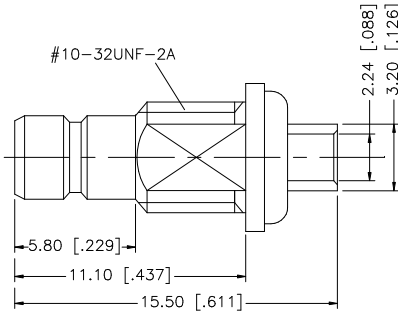
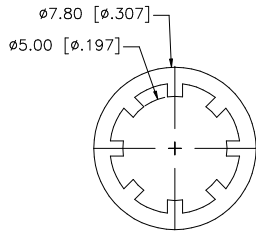
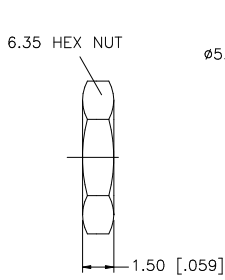
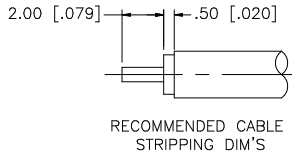
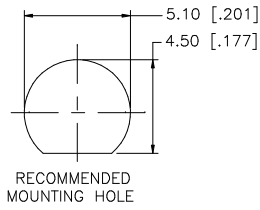
Click to view price, real time Inventory, Delivery & Lifecycle Information:

[Amphenol RF](#)
[142301](#)

For any questions, you can email us directly:

sales@integrated-circuit.com

REV.	DATE	DESCRIPTION
A	01/25/04	UPDATE DRAWING FORMAT



NOTE:

- CONTACT PIN TO SOLDER OR CRIMPED CONTACT PIN SQ. CRIMP SIZE 0.7(mm)
- MAX. PANEL THICKNESS = 2.4mm

DESCRIPTION	MATERIAL	FINISH	QTY	DO NOT SCALE DRAWING	APPROVALS	DATE	Amphenol Connex		
8							SMB BULKHEAD DIRECT SOLDER JACK (FOR 0.85", 0.86" CABLE) PART NO. 142301 DWG. NO. 142301.DWG REV. A SIZE A SCALE NA		
7					DRAWN G.R.S.	01/25/04			
6					CHECKED				
5	HEX NUT	BRASS	GOLD	1	ISSUED				
4	LOCK WASHER	BRASS	GOLD	1	SHEET 1 OF 1				
3	CONTACT PIN	BRASS	GOLD	1	CAD FILE	C:/142/142301.DWG			
2	INSULATOR	TEFLON	NATURAL	2					
1	BODY	BRASS	GOLD	1					

UNLESS OTHERWISE SPECIFIED DIMENSIONS ARE IN MILLIMETERS. DIMENSIONS IN [] ARE IN INCHES AND FOR CUSTOMER REFERENCE ONLY.

UNLESS OTHERWISE SPECIFIED TOLERANCES FOR MILLIMETERS ARE:
 0.5 - 8mm ± 0.20mm
 8 - 30mm ± 0.40mm
 30 - 120mm ± 0.50mm

UNLESS OTHERWISE SPECIFIED TOLERANCES FOR INCHES ARE:
 .020 - .315 = ± 0.007"
 .315 - 1.180 = ± 0.015"
 1.180 - 4.724 = ± 0.020"