

Excellent Integrated System Limited

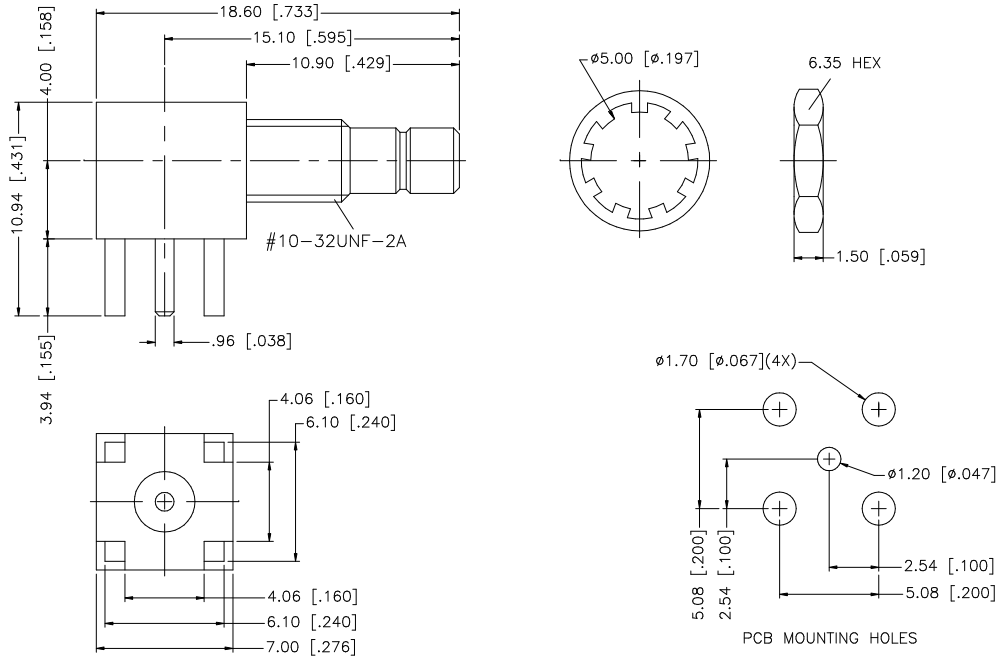
Stocking Distributor

Click to view price, real time Inventory, Delivery & Lifecycle Information:

[Amphenol RF](#)
[142184](#)

For any questions, you can email us directly:
sales@integrated-circuit.com

REV.	DATE	DESCRIPTION
NC	06/06/99	INITIAL RELEASE
A	07/20/05	UPDATE DRAWING FORMAT



DESCRIPTION	MATERIAL	FINISH	QTY	UNLESS OTHERWISE SPECIFIED DIMENSIONS ARE IN MILLIMETERS. DIMENSIONS IN [] ARE IN INCHES AND FOR CUSTOMER REFERENCE ONLY.	APPROVALS	DATE	<h1 style="color: blue; margin: 0;">Amphenol Connex</h1>
8				UNLESS OTHERWISE SPECIFIED TOLERANCES FOR MILLIMETERS ARE: 0.5 - 8mm ± 0.20mm 8 - 30mm ± 0.40mm 30 - 120mm ± 0.50mm UNLESS OTHERWISE SPECIFIED TOLERANCES FOR INCHES ARE: .020 - .315 = ± 0.007" .315 - 1.180 = ± 0.015" 1.180 - 4.724 = ± 0.020"	APPROVED	07/20/05	
7					DRAWN	G.R.S.	
6					CHECKED		
5	HEX NUT	BRASS	NICKEL		1	ISSUED	
4	LOCK WASHER	BRASS	NICKEL		1		
3	CONTACT PIN	BRASS	GOLD		1	SHEET	1 OF 1
2	INSULATOR	TEFLON	NATURAL		1		
1	BODY	BRASS	GOLD		1	CAD FILE	C:/142/142184.DWG
				DO NOT SCALE DRAWING	DWG. NO.	142184.DWG	REV. A
					SIZE	A	SCALE
							NA