

Excellent Integrated System Limited

Stocking Distributor

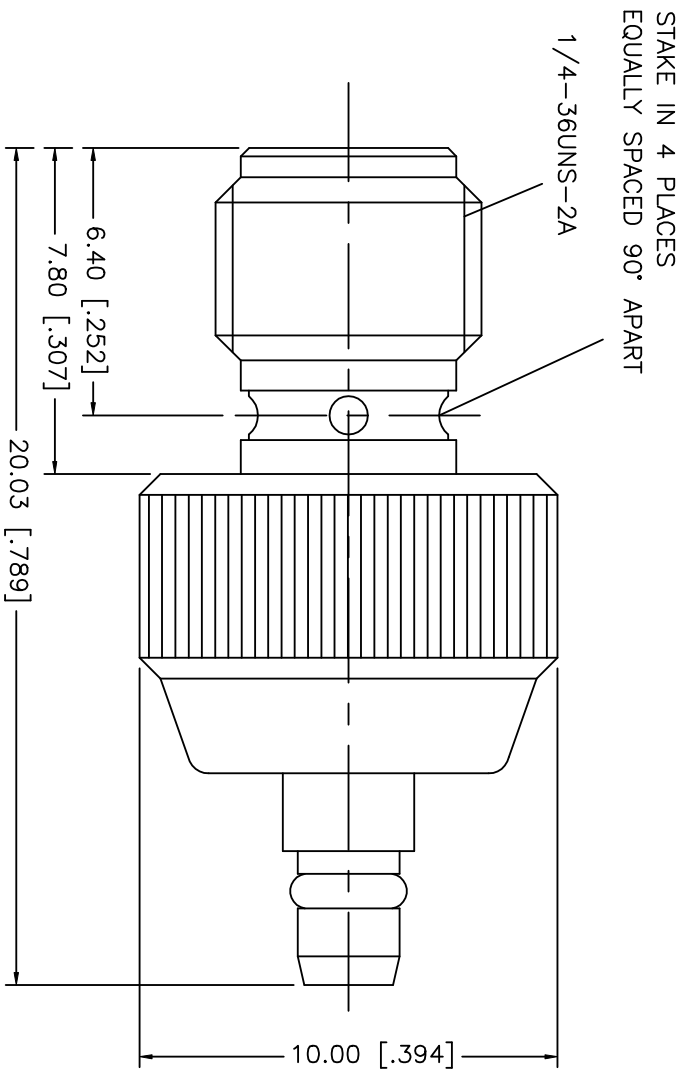
Click to view price, real time Inventory, Delivery & Lifecycle Information:

[Amphenol RF](#)
[242141](#)

For any questions, you can email us directly:

sales@integrated-circuit.com

REV.	DATE	DESCRIPTION
NC	09/22/02	INITIAL RELEASE



DESCRIPTION	MATERIAL	FINISH	DO NOT SCALE DRAWING	APPROVALS	DATE	TITLE	SIZE	FSCM NO.	DWG. NO.	REV.	
8			UNLESS OTHERWISE SPECIFIED DIMENSIONS ARE IN MILLIMETERS	DRAWN	09/22/02	Amphenol – Connex CONNECTOR CORPORATION SMA JACK TO MMCX PLUG ADAPTER	A	99001	242141	NC	
7			DIMENSIONS IN [] ARE IN INCHES FOR CUSTOMER REFERENCE ONLY	CHECKED							
6			UNLESS OTHERWISE SPECIFIED TOLERANCES FOR INCHES ARE: .XXX = ± 0.005" .XX = ± 0.010" .X = ± 0.020"	ISSUED							
5	RETAINER RING	BER. COPPER									
4	CONTACT PIN	BER. COPPER									
3	INSULATOR	TEFLON									
2	BODY	BRASS									
1	HOUSING	BRASS									