

Excellent Integrated System Limited

Stocking Distributor

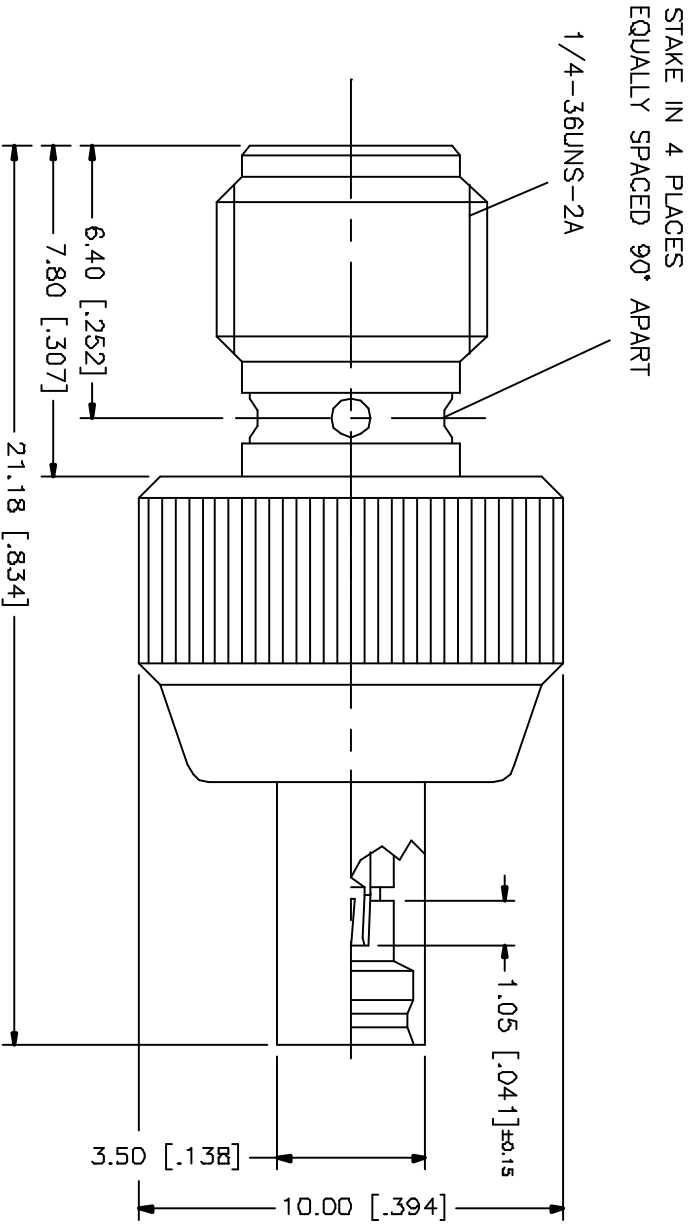
Click to view price, real time Inventory, Delivery & Lifecycle Information:

[Amphenol RF](#)
[242143](#)

For any questions, you can email us directly:

sales@integrated-circuit.com

REV.	DATE	DESCRIPTION
A	03/27/05	UPDATE DRAWING FORMAT



REV.	DATE	DESCRIPTION
B		
7		
6		
5		
4		
3		
2		
1		

DESCRIPTION	MATERIAL	FINISH	QTY
CONTACT PIN	BER. COPPER	BOLD	1
INSULATOR	TEFLON	NATURAL	1
BODY	BRASS	GOLD	1

UNLESS OTHERWISE SPECIFIED DIMENSIONS ARE IN MILLIMETERS. DIMENSIONS IN [] ARE IN INCHES AND ARE FOR CONVERSION PURPOSES ONLY.	APPROVALS	DATE
UNLESS OTHERWISE SPECIFIED DIMENSIONS ARE IN MILLIMETERS. DIMENSIONS IN [] ARE IN INCHES AND ARE FOR CONVERSION PURPOSES ONLY.	DRAWN G.R.S.	03/27/05
UNLESS OTHERWISE SPECIFIED DIMENSIONS FOR MILLIMETER ARE 0.5 - 8mm ± 0.20mm 8 - 30mm ± 0.40mm 30 - 120mm ± 0.50mm UNLESS OTHERWISE SPECIFIED DIMENSIONS FOR INCHES ARE .020 - .315 ± 0.007" .315 - 1.180 ± 0.015" 1.180 - 4.724 ± 0.020"	CHECKED	
	ISSUED	
	SHEET 1 OF 1	

QAD FILE	DWG. NO.	REV.	SIZE	SCALE
C:/242/242143.DWG	242143.DWG	A	A	NA

PART NO.	PART DESCRIPTION
242143	SMA JACK TO MMCX JACK ADAPTER

Amphenol Connex