

Excellent Integrated System Limited

Stocking Distributor

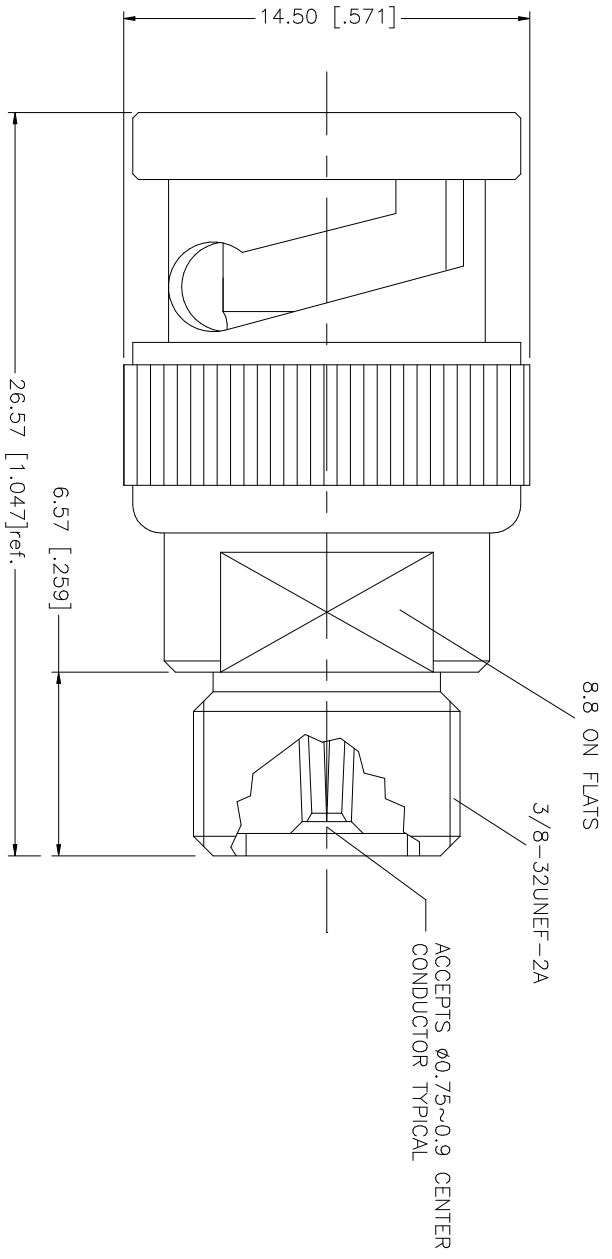
Click to view price, real time Inventory, Delivery & Lifecycle Information:

[Amphenol RF](#)
[242154](#)

For any questions, you can email us directly:

sales@integrated-circuit.com

REV.	DATE	DESCRIPTION
A	01/22/04	UPDATE DRAWING FORMAT



8					UNLESS OTHERWISE SPECIFIED DIMENSIONS ARE IN MILLIMETERS. DIMENSIONS IN [] ARE IN INCHES AND FOR CUSTOMER REFERENCE ONLY.	APPROVALS	DATE	
7					UNLESS OTHERWISE SPECIFIED TOLERANCES FOR MILLIMETERS ARE:	DRAWN	G.R.S.	01/22/04
6					0.5 - 8mm ± 0.20mm	CHECKED		
5					8 - 30mm ± 0.40mm	ISSUED		
4					30 - 120mm ± 0.50mm	SHEET	1 OF 1	
3	CONTACT PIN	BER. COPPER		1	UNLESS OTHERWISE SPECIFIED TOLERANCES FOR INCHES ARE:	CAD FILE		
2	INSULATOR	TEFLON	NATURAL	1	.020 - .315 = ± 0.007"	C:/242/242154.DWG		
1	BODY	BRASS	NICKEL	1	.315 - 1.180 = ± 0.015" 1.180 - 4.724 = ± 0.020"	DWG. NO.	242154.DWG	REV. A
	DESCRIPTION	MATERIAL	FINISH	QTY	DO NOT SCALE DRAWING	REV. A	SIZE A	SCALE NA

Amphenol Connex

BNC PLUG TO F JACK ADAPTER

242154