

## Excellent Integrated System Limited

Stocking Distributor

Click to view price, real time Inventory, Delivery & Lifecycle Information:

[Amphenol RF](#)  
[31-6109](#)

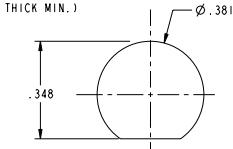
For any questions, you can email us directly:

[sales@integrated-circuit.com](mailto:sales@integrated-circuit.com)

31-6109		REVISIONS			
DRAWING NO.	REV	DESCRIPTION	DATE	ECO	APPR
THIRD ANGLE PROJ.	A	RELEASE TO MFG	5/21/03	44443	CPM
	B	DESCRIPTION WAS U.F.L	6/15/06	46096	CPM

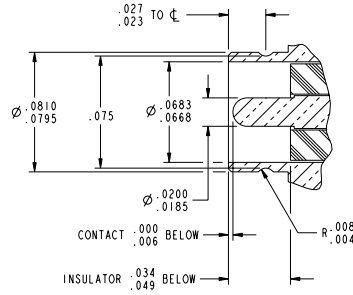
**NOTES:**

- MATERIALS AND FINISHES:**  
 BODY - BRASS (ASTM-B16 HO2, C36000), NICKEL PLATING (.00008 THICK MIN.)  
 CONTACT - BRASS (ASTM-B16 HO2, C36000), GOLD PLATING (.00003 THICK MIN.)  
 INSULATOR - PTFE PER ASTM D 1710 OR EQUIV
- ELECTRICAL:**  
 A. IMPEDANCE: 50 OHM  
 B. FREQUENCY RANGE: DC - 3 GHz
- MECHANICAL:**  
 A. DURABILITY: TNC, 500 CYCLES MIN.  
   AMC, 30 CYCLES MIN.  
 B. TEMPERATURE RANGE: -40° C TO 90° C  
 C. RECOMMENDED HEX NUT TIGHTENING TORQUE:  
   25 IN-LB MIN, 35 IN-LB MAX
- PACKAGING:**  
 A. QUANTITY: SINGLE PACK  
 B. MARKING: BAG TO BE MARKED  
   "AMPHENOL, 31-6109, AND DATE CODE"



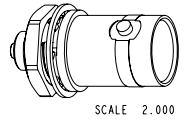
RECOMMENDED MOUNTING HOLE

SCALE 3.000

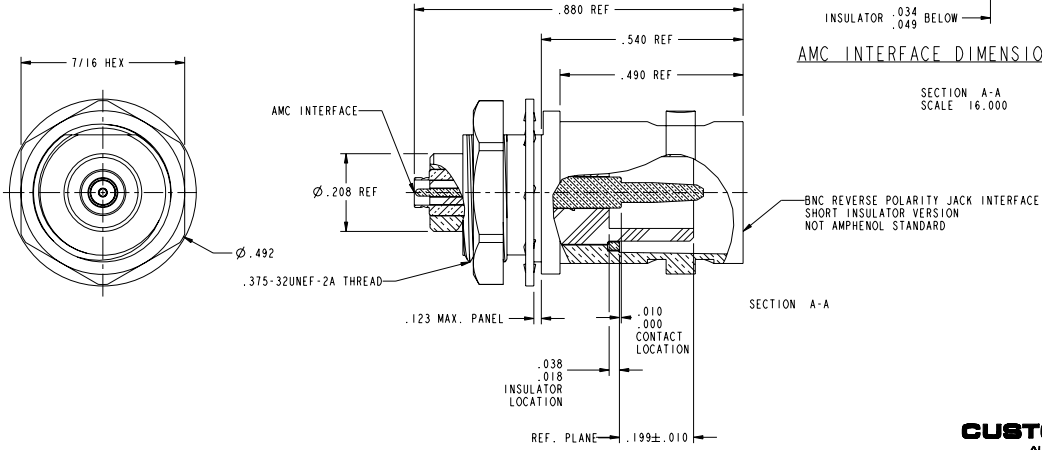


AMC INTERFACE DIMENSIONS

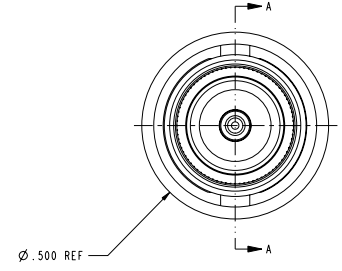
SECTION A-A  
SCALE 16.000



SCALE 2.000



SECTION A-A



**CUSTOMER OUTLINE DRAWING**  
 ALL OTHER SHEETS ARE FOR INTERNAL USE ONLY

UNLESS OTHERWISE SPECIFIED, DIMENSIONS ARE IN INCHES AND TOLERANCES ARE: 2 PLACE DECIMAL ±.015 (0.381 mm)    3 PLACE DECIMAL ±.005 (0.127 mm)    ANGLES ± 1° NOTICE - These drawings, specifications, or other data (1) are, and remain the property of Amphenol Corp. (2) must be returned upon request; and (3) are confidential and not to be disclosed to any person other than those to whom they are given by Amphenol Corp. The furnishing of these drawings, specifications, or other data by Amphenol Corp., or to any other person to anyone for any purpose is not to be regarded by implication or otherwise in any manner licensing, granting rights or permitting such holder or any other person to manufacture, use or sell any product, process or design, patented or otherwise, that may in any way be related to or disclosed by said drawings, specifications, or other data.	MATERIAL REFERENCE EAR# 860.1 GEN# ASSYMI.UFL 611X-4119	DRAWN C. McGRATH ENGINEER O. BARTHELME APPROVED O. BARTHELME CAD FILE 1:\AMC\31-6109	DATE 4/22/03 DATE 4/22/03 DATE 5/21/03	TITLE AMC TO BNC REVERSE POLARITY JACK BULKHEAD ADAPTER	<b>Amphenol RF</b> Danbury, CT, USA Tainan, Taiwan Shenzhen, China www.amphenolrf.com SCALE: 4.0:1 SHEET 2 OF 2
	CODE ID 74868	DWG SIZE B	DRAWING NO. 31-6109	REV B	