

Excellent Integrated System Limited

Stocking Distributor

Click to view price, real time Inventory, Delivery & Lifecycle Information:

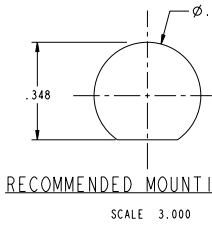
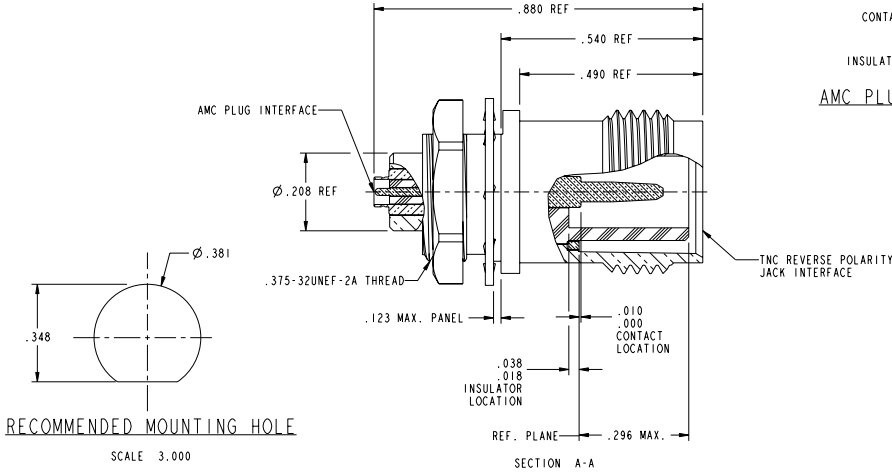
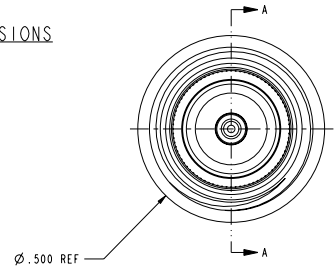
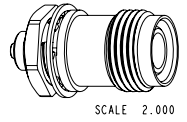
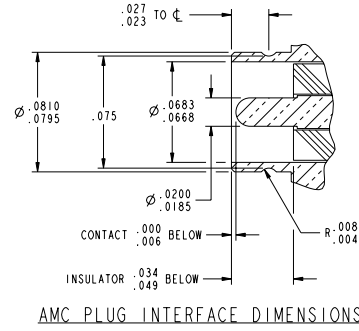
[Amphenol RF](#)
[31-6112](#)

For any questions, you can email us directly:

sales@integrated-circuit.com

- NOTES:
- MATERIALS AND FINISHES:
 BODY - BRASS, NICKEL PLATING (.00008 THICK MIN.)
 CONTACT - BRASS, GOLD PLATING (.00003 THICK MIN.)
 INSULATOR - PTFE
 - ELECTRICAL:
 A. IMPEDANCE: 50 OHM
 B. FREQUENCY RANGE: DC - 3 GHz
 - MECHANICAL:
 A. DURABILITY: TNC, 500 CYCLES MIN.
 AMC, 30 CYCLES MIN.
 B. TEMPERATURE RANGE: -40° C TO 90° C
 - PACKAGING:
 A. QUANTITY: SINGLE PACK
 B. MARKING: BAG TO BE MARKED
 AMPHENOL, 31-6112, AND DATE CODE

31-6112		REVISIONS			
DRAWING NO.	REV	DESCRIPTION	DATE	ECO	APPR
THIRD ANGLE PROJ.	A	RELEASE TO MFG	10/23/03	44675	MAH
	B	SEE SHEET 1	6/15/06	46132	CPM



CUSTOMER OUTLINE DRAWING
 ALL OTHER SHEETS ARE FOR INTERNAL USE ONLY

UNLESS OTHERWISE SPECIFIED, DIMENSIONS ARE IN INCHES AND TOLERANCES ARE:
 2 PLACE DECIMAL ±.015 (0.381 mm)
 3 PLACE DECIMAL ±.005 (0.127 mm)
 ANGLES ± 1°

NOTICE - These drawings, specifications, or other data (1) are, and remain the property of Amphenol Corp. (2) must be returned upon request; and (3) are confidential and not to be disclosed to any person other than those to whom they are given by Amphenol Corp. The furnishing of these drawings, specifications, or other data by Amphenol Corp., or to any other person to anyone for any purpose is not to be regarded by implication or otherwise in any manner licensing, granting rights or permitting such holder or any other person to manufacture, use or sell any product, process or design, patented or otherwise, that may in any way be related to or disclosed by said drawings, specifications, or other data.

MATERIAL

REFERENCE

EAR# 956
 GEN# ASSYF2_UFL
 SIMILAR TO 31-6109

DRAWN

ENGINEER

APPROVED

CAD FILE

1:\TNC\31-6112

DATE

DATE

DATE

DATE

TITLE

AMC PLUG TO
 TNC REVERSE POLARITY JACK
 BULKHEAD ADAPTER

CODE ID

74868

DWG SIZE

B

DRAWING NO.

31-6112

Amphenol RF

Danbury, CT, USA
 Tainan, Taiwan
 Shenzhen, China
 www.amphenolrf.com

SCALE: 4.0:1 SHEET 2 OF 2

REV

B