

Excellent Integrated System Limited

Stocking Distributor

Click to view price, real time Inventory, Delivery & Lifecycle Information:

[Amphenol RE](#)
[SMP-MSSB-PCT](#)

For any questions, you can email us directly:

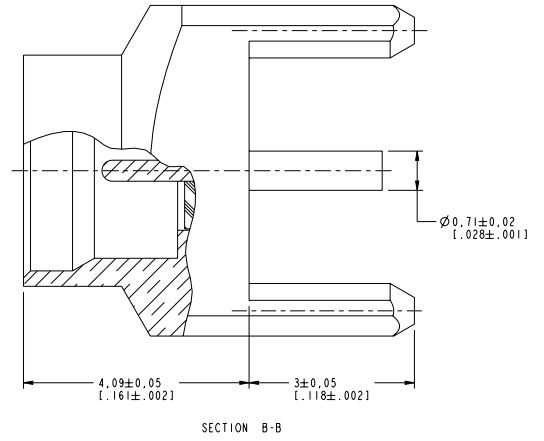
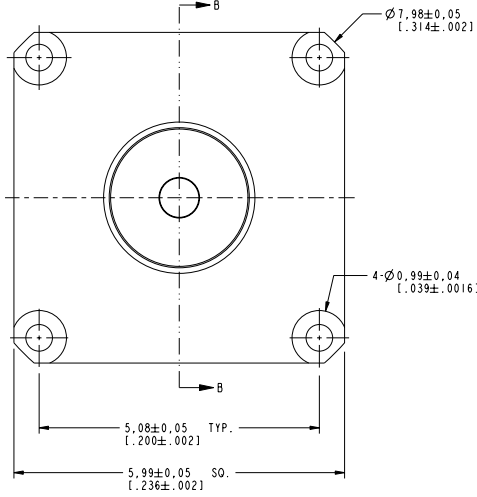
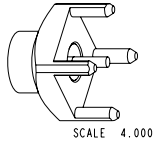
sales@integrated-circuit.com

- NOTES:
- MATERIALS AND FINISHES:
 BODY - BRASS, GOLD PLATING, .000030 [0.8] THICK OVER COPPER
 CONTACT - BRASS, GOLD PLATING, .000030 [0.8] THICK OVER COPPER
 INSULATOR - PEEK OR LCP
 - ELECTRICAL:
 A. IMPEDANCE: 50 OHM
 B. FREQUENCY RANGE: DC - 6 GHz
 C. VSWR (RETURN LOSS): 1.10 (26.4 dB), MAX, DC-2GHz
 1.22 (20 dB), MAX, 2-6GHz
 D. DIELECTRIC WITHSTANDING VOLTAGE: 500 VRMS, MIN.
 - PHYSICAL:
 A. DURABILITY: 500 CYCLES MIN.
 B. ENGAGEMENT FORCE: 2 LB [9 N] MAX
 C. DISINGAGEMENT FORCE: .5 LB [2.2 N] MIN
 D. INNER CONTACT RETENTION FORCE: 1.5 LB [7 N] MIN
 E. TEMPERATURE RANGE: -65° C TO 165° C
 - PACKAGING:
 A. QUANTITY: SINGLE PACK
 B. MARKING:
 AMPHENOL
 SMP-MSSB-PCT
 DATE CODE
 QTY

THIRD ANGLE PROJ.

REVISIONS

REV	DESCRIPTION	DATE	ECO	APPR
A	RELEASE TO MFG.	3/2/05	45417	RL
B	TITLE 'SMOOTH BORE' WAS 'CATCHERS MIT', ADDED BALOONS	12-Feb-14	49606	SH



CUSTOMER OUTLINE DRAWING
 ALL OTHER SHEETS ARE FOR INTERNAL USE ONLY

UNLESS OTHERWISE SPECIFIED, DIMENSIONS ARE IN METRIC AND TOLERANCES ARE:
 <0.5mm ±0.05mm 0.5 - 6mm ±0.1mm 6 - 30mm ±0.2mm 30 - 120mm ±0.3mm ANGLES ±1°

NOTICE - These drawings, specifications, or other data (1) are, and remain the property of Amphenol Corp. (2) must be returned upon request; and (3) are confidential and not to be disclosed to any person other than those to whom they are given by Amphenol Corp. The finishing of these drawings, specifications, or other data by Amphenol Corp., or to any other person to anyone for any purpose is not to be regarded by implication or otherwise in any manner licensing, granting rights to permitting such holder or any other person to manufacture, use or sell any product, process or design, patented or otherwise, that may in any way be related to or disclosed by said drawings, specifications, or other data.

MATERIAL	DRAWN J. CHENG	DATE 11-Feb-14	TITLE SMP JACK, PIN CONTACT PCB RECEPTACLE SMOOTH BORE	Amphenol RF Danbury CT USA, Tainan, Taiwan, Shenzhen, China www.amphenolrf.com
REFERENCE EAR # AND 615X-1732	ENGINEER MIKE HOYACK	DATE 28-Agu-31	SCALE: 15.0:1.0 SHEET 2 OF 2	DRAWING NO. SMP-MSSB-PCT
CONFIGURATION LEVEL: □□□□	APPROVED S. HSIEH	DATE 11-Feb-14	DWG SIZE B	ITEM NO. SMP-MSSB-PCT
FINISH	CAD FILE Root Folder/SMP/SMP-MSSB-PCT		REV B	PART NO. SMP-MSSB-PCT