

Excellent Integrated System Limited

Stocking Distributor

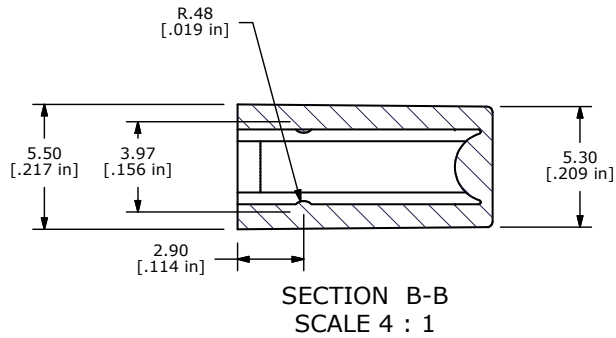
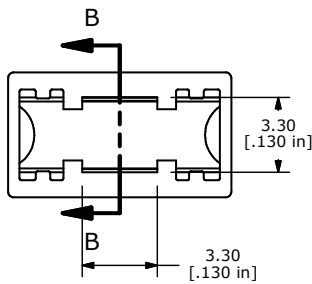
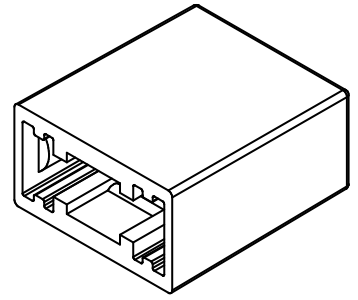
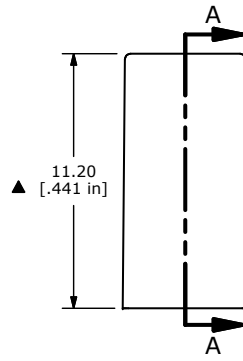
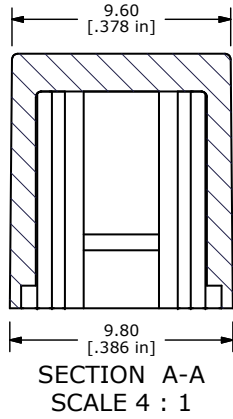
Click to view price, real time Inventory, Delivery & Lifecycle Information:

[E-Switch](#)
[TACWHT](#)

For any questions, you can email us directly:

sales@integrated-circuit.com

SHEET 1 OF 1



NOTE:

1. ALL DIMENSIONS IN MM[INCH]
2. GENERAL TOLERANCE: X.XX=±0.15
- ▲3. MATERIAL: ABS UL94HB
- ▲4. COLOR: WHITE
5. ▲ DENOTES CRITICAL PARAMETER
6. 2002/95/EC (ROHS) COMPLIANT



REV	PCR NO	DESCRIPTION	DATE	BY
B	17591	CHANGED DIM. 2.85 TO 2.90	8/27/07	BF
A	15172	NEW RELEASE	8/18/05	PV

TITLE TACWHT

THE INFORMATION CONTAINED IN THIS DOCUMENT IS PROPRIETARY TO E-SWITCH AND IS NOT TO BE COPIED OR TRANSFERRED

SCALE 4:1	DATE 8/27/2007	DR BF	DWG T041622	REV B
-----------	----------------	-------	-------------	-------