

Excellent Integrated System Limited

Stocking Distributor

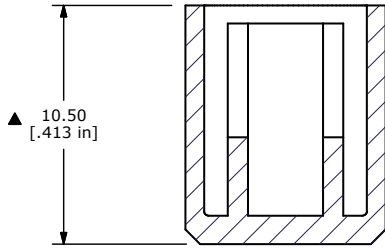
Click to view price, real time Inventory, Delivery & Lifecycle Information:

[E-Switch](#)
[TAGWHT](#)

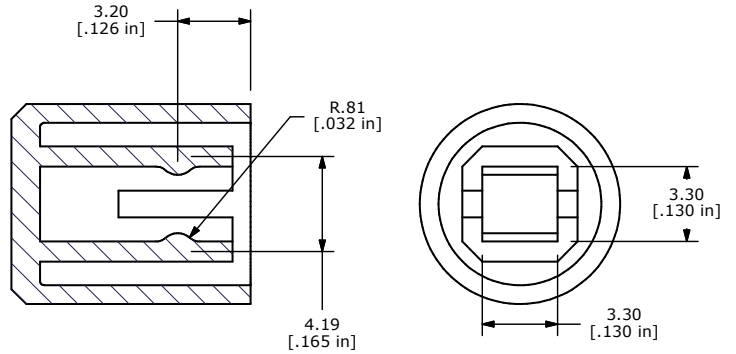
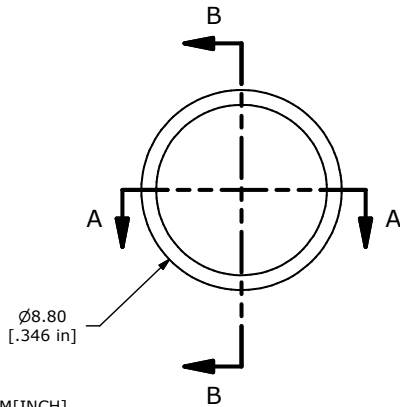
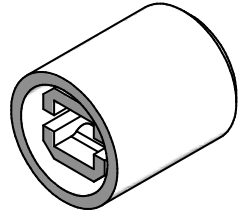
For any questions, you can email us directly:

sales@integrated-circuit.com

SHEET 1 OF 1



SECTION A-A
SCALE 4 : 1



SECTION B-B
SCALE 4 : 1

NOTES:

1. ALL DIMENSIONS IN MM[INCH]
2. GENERAL TOLERANCE: X.XX=± 0.15
- ▲3. MATERIAL: ABS UL94HB
- ▲4. COLOR: WHITE
5. ▲ DENOTES CRITICAL PARAMETER
6. 2002/95/EC (ROHS) COMPLIANT



REV	PCR NO	DESCRIPTION	DATE	BY
B	17594	CHANGED DETENT RIB PLACEMENT	8/27/07	BF
A	16295	RELEASED FOR PRODUCTION	8/9/06	BO

TITLE TAGWHT

THE INFORMATION CONTAINED IN THIS DOCUMENT IS PROPRIETARY TO E-SWITCH AND IS NOT TO BE COPIED OR TRANSFERRED

SCALE 4:1	DATE 8/27/2007	DR BF	DWG T041602	REV B
-----------	----------------	-------	-------------	-------