

Excellent Integrated System Limited

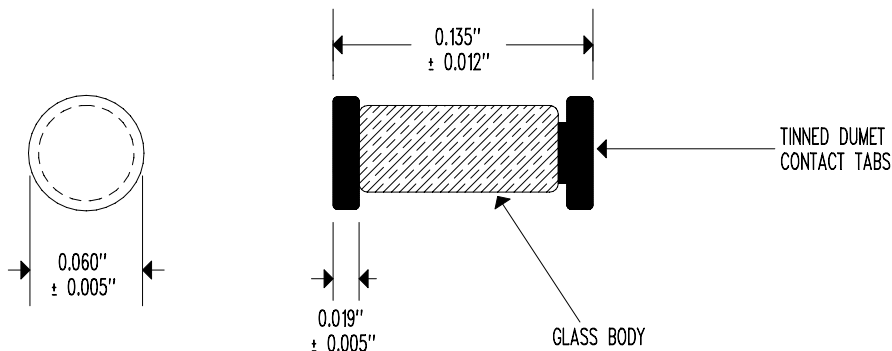
Stocking Distributor

Click to view price, real time Inventory, Delivery & Lifecycle Information:

[US Sensor](#)
[SM503J1K](#)

For any questions, you can email us directly:

sales@integrated-circuit.com



RESISTANCE @ +25°C = 50,000 Ω ± 10%
 RESISTANCE/TEMPERATURE CURVE = "J"
 BETA "β" (0 TO +50°C) = 3,892°K NOMINAL
 TEMPERATURE COEFFICIENT @ +25C = -4.4%/°C NOMINAL
 DISSIPATION CONSTANT = 2 mW/°C NOMINAL
 THERMAL TIME CONSTANT = 8 SECONDS NOMINAL
 MAXIMUM TEMPERATURE RATING = +220°C

REV	REVISION RECORD	DATE	APP
---	ISO RELEASE	12/09/03	DD
"A"	TAB WAS 0.019"±0.004" LENGTH WAS 0.140"±0.010" & DIA WAS 0.065"±0.004"	12/09/03	DD

SCALE NONE	U.S. SENSOR CORP. © COPYRIGHT 714-639-1000 www.ussensor.com
DRAWN BY DAN DANKERT	
DATE 11/03/95	NTC THERMISTOR
REV. "A"	P/N SM503J1K
LAYER 0 OF 2	