

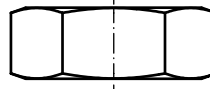
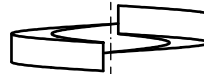
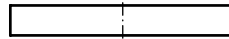
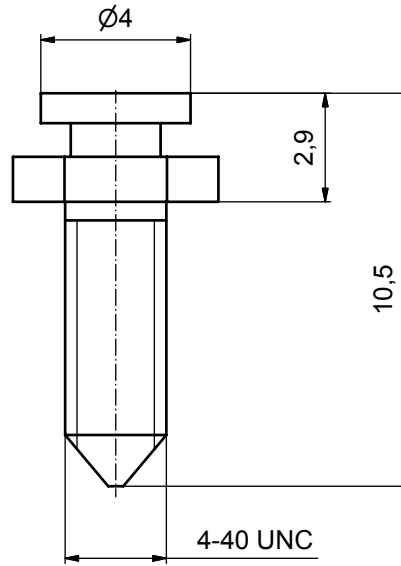
## Excellent Integrated System Limited

Stocking Distributor

Click to view price, real time Inventory, Delivery & Lifecycle Information:

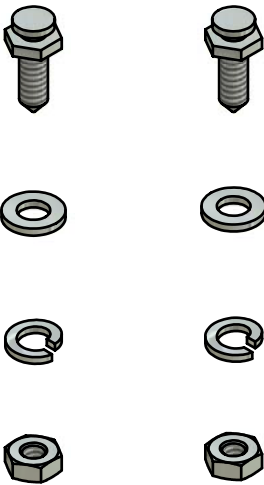
[Conec](#)  
[16-000640](#)

For any questions, you can email us directly:  
[sales@integrated-circuit.com](mailto:sales@integrated-circuit.com)



**A set consists of:**

- 2 locking bolts
- 2 washers
- 2 spring rings
- 2 nuts



Directive 2002/95/EC  
 "RoHS"  
 Compliant

**NOTES:**

1. ALL PARTS MATERIAL: STEEL
2. PLATING: NICKEL PLATED

APPROVAL # FREIGABE # DEBLOCAGE # AUTORIZACION # APPROVAL	
CUSTOMER APPROVAL DATE:	
NAME:	TITLE:
COMPANY NAME:	

finish: see notes				tolerance		dim. in mm	
				date		name	
				drawn		11.10.02 Schmidt	
				appd.		11.10.02 Mickenbecker	
				norm			
				d-old			
ALTER CAD DRAWING BY HAND				4 x b		Ä 3050 04.07.08 HS	

scale: 7:1	
material: see notes	
title: <b>LOCKING BOLT</b> for Slide lock	
dwg no:	Inventor 10 (b)
DIN-A3	