

## Excellent Integrated System Limited

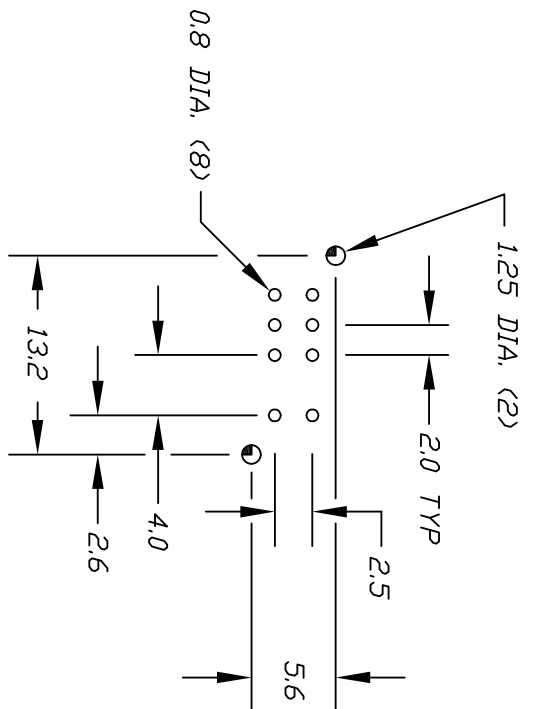
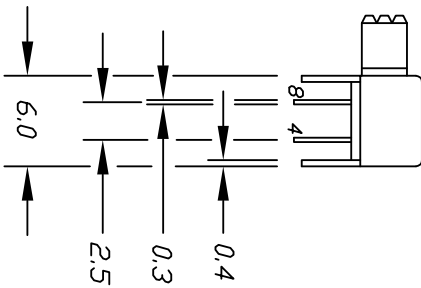
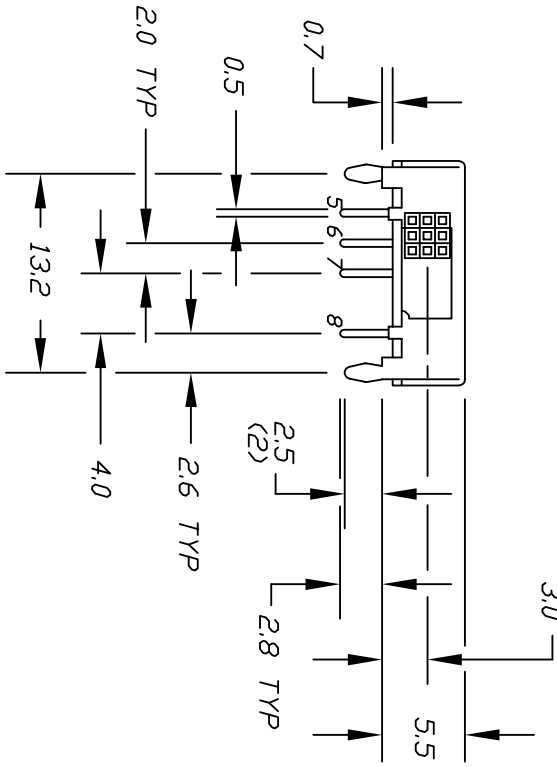
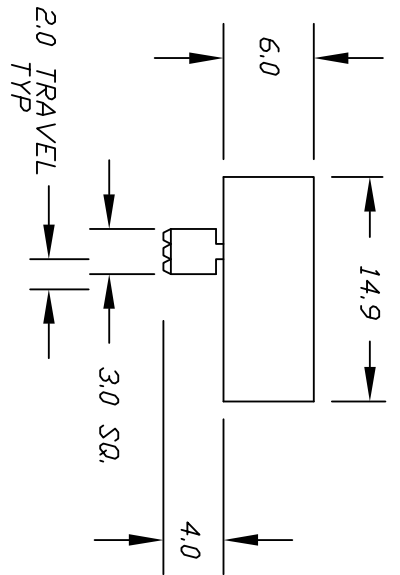
Stocking Distributor

Click to view price, real time Inventory, Delivery & Lifecycle Information:

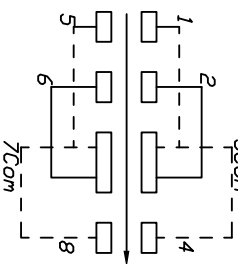
[E-Switch](#)  
[EG2308](#)

For any questions, you can email us directly:

[sales@integrated-circuit.com](mailto:sales@integrated-circuit.com)



P.C.B. MOUNTING HOLES



CONTACT CONFIGURATION

NOTES:

1. ALL DIMENSIONS IN MM
2. TERM. NOS. FOR REF ONLY
- ③ 3. TIMING: NON-SPECIFIED
4. 2002/95/EC (ROHS) COMPLIANT

SWITCH FUNCTION		
POS. 1	POS. 2	POS. 3
1-3	2-3	3-4
5-7	6-7	7-8

C	ADD TIMING NOTE	1/16/09	BLR
B	REVISE & REDRAWN		
REV.	DESCRIPTION	DATE	CHKD
THE INFORMATION CONTAINED IN THIS DOCUMENT IS PROPRIETARY TO E-SWITCH AND IS NOT TO BE COPIED OR TRANSFERRED			

TOLERANCES	
0.0	±0.4
0.00	±0.25

SCALE	TITLE	DATE	DR	DWG
2:1	EG 2308	1/16/09	MM	P040210

E-SWITCH		REV
DATE	DR	C