

Excellent Integrated System Limited

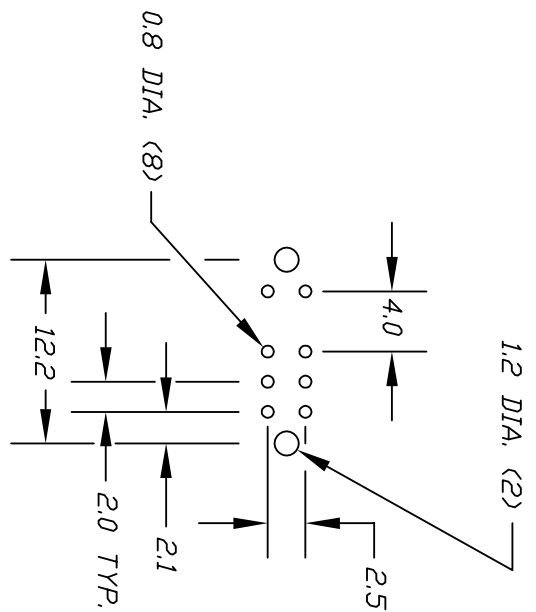
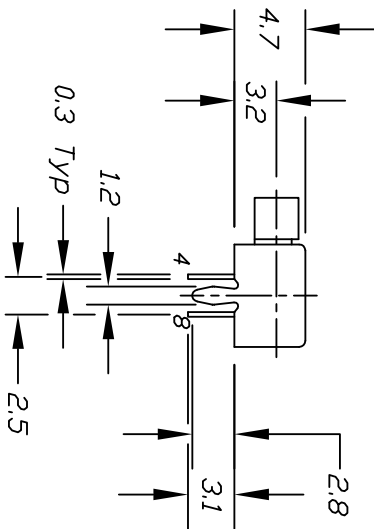
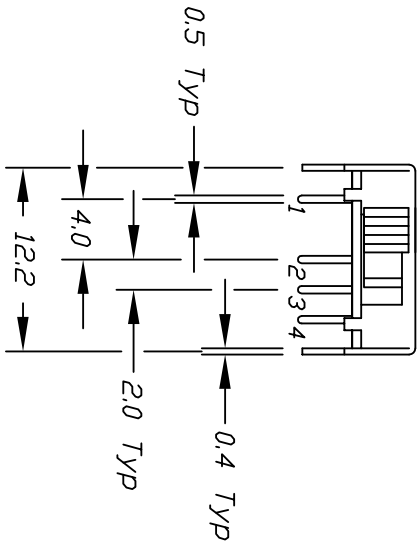
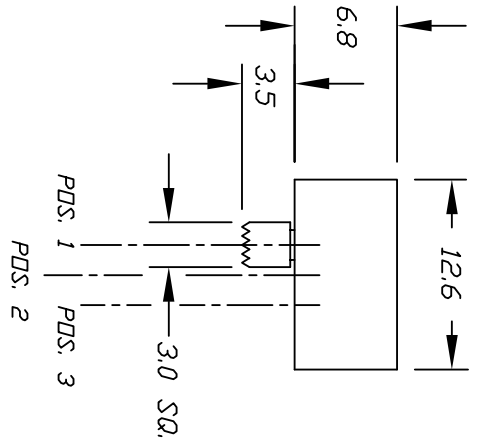
Stocking Distributor

Click to view price, real time Inventory, Delivery & Lifecycle Information:

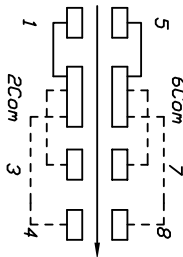
[E-Switch](#)
[EG2315](#)

For any questions, you can email us directly:

sales@integrated-circuit.com



RECOMMEND P.C.B. HOLES



CIRCUIT: DP3T

CONTACT CONFIGURATION

SWITCH FUNCTION			
POS. 1	POS. 2	POS. 3	
2-1	2-3	2-4	
6-5	6-7	6-8	

NOTES:

1. ALL DIMENSIONS IN MM
2. TERM. NDS. FOR REF. ONLY
3. RATING: DC 30V, 0.2A
4. TRAVEL: 2.0mm
5. TIMING: NON-SPECIFIED
6. 2002/95/EC (ROHS) COMPLIANT

C	ADD TIMING NOTE	1/20/09	BLR
B	REVISED & REDRAWN		
REV.	DESCRIPTION	DATE	CHKD

TOLERANCES	
0.0	±0.4
0.00	±0.25

TITLE		EG 2315		DR		DWG		REV	
SCALE		DATE		BLR		P040240		C	
2:1		1/20/09							



THE INFORMATION CONTAINED IN THIS DOCUMENT IS PROPRIETARY TO E-SWITCH AND IS NOT TO BE COPIED OR TRANSFERRED