

Excellent Integrated System Limited

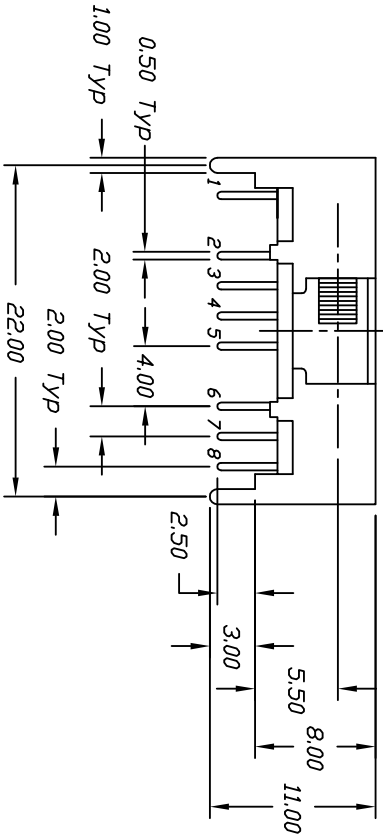
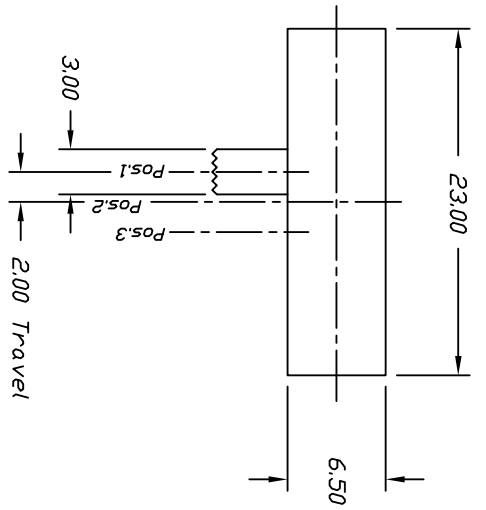
Stocking Distributor

Click to view price, real time Inventory, Delivery & Lifecycle Information:

[E-Switch](#)
[EG4319](#)

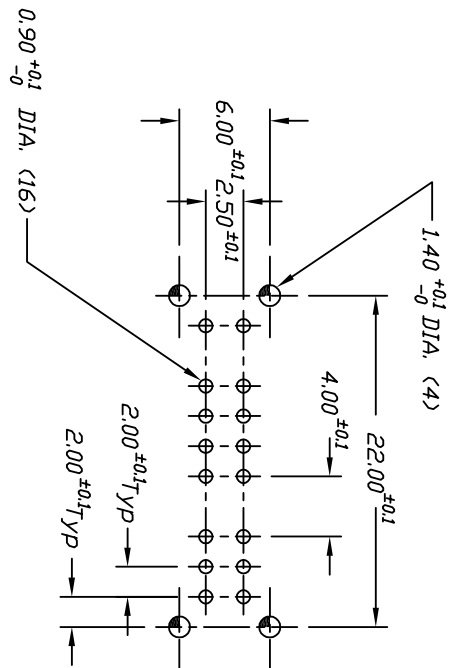
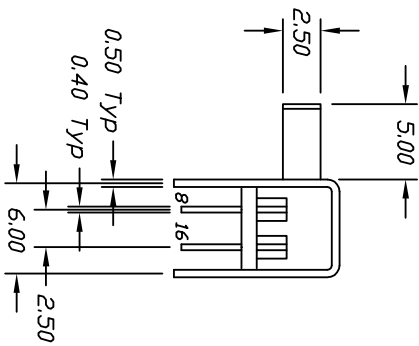
For any questions, you can email us directly:

sales@integrated-circuit.com

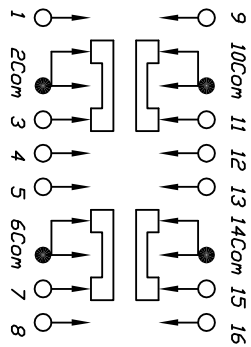


NOTES:

1. ALL DIMENSIONS IN MM
2. TERM. NDS. FOR REF ONLY
3. RATING: 0.2A, 30V DC
4. TIMING: NON-SPECIFIED
5. 2002/95/EC (ROHS) COMPLIANT



RECOMMEND P.C.B. LAYOUT



CONTACT CONFIGURATION

SWITCH FUNCTION		
POS. 1	POS. 2	POS. 3
2-1,6-5	2-3,6-7	2-4,6-8
10-9,14-13	10-11,14,15	10-12,14-16

REV. C	ADD TIMING NOTE	1/20/09	BLR
REV. B	REVISED & REDRAWN		
REV. A	DESCRIPTION	DATE	CHKD

TOLERANCES	
0.0	±0.4
0.00	±0.25

TITLE	EG 4319
SCALE	2:1
DATE	1/20/09
DR	BLR
DWG	P0402290

THE INFORMATION CONTAINED IN THIS DOCUMENT IS PROPRIETARY TO E-SWITCH AND IS NOT TO BE COPIED OR TRANSFERRED
REV C