

Excellent Integrated System Limited

Stocking Distributor

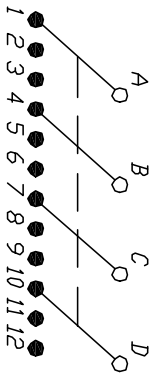
Click to view price, real time Inventory, Delivery & Lifecycle Information:

[E-Switch](#)
[KC43A30.001NLS](#)

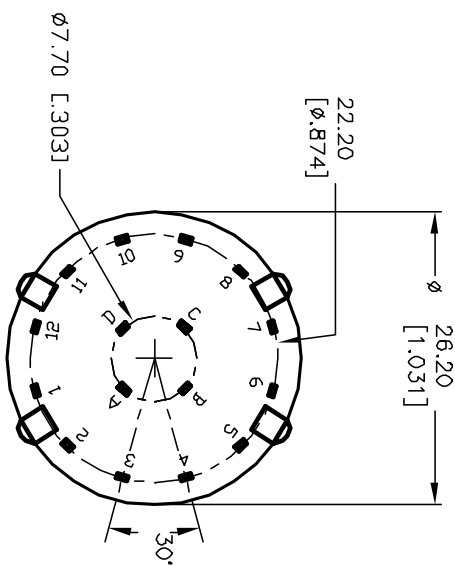
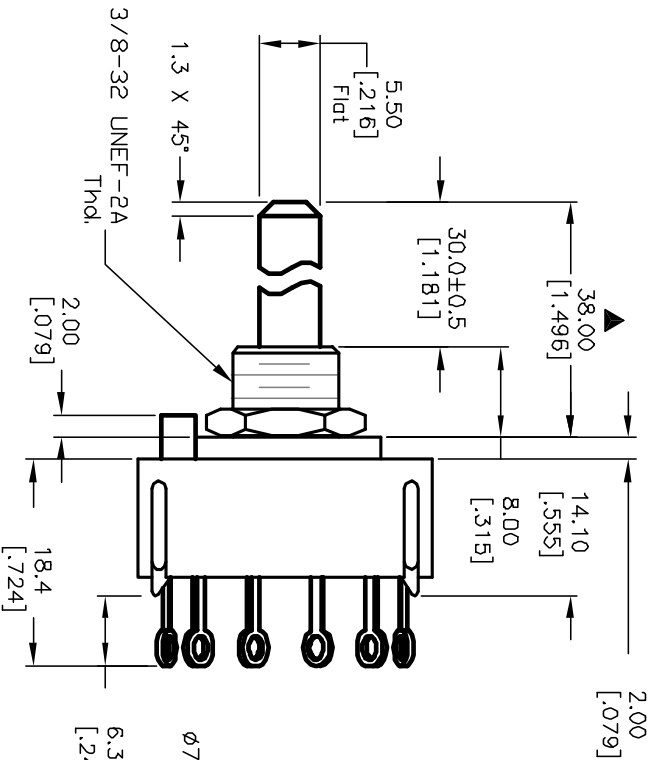
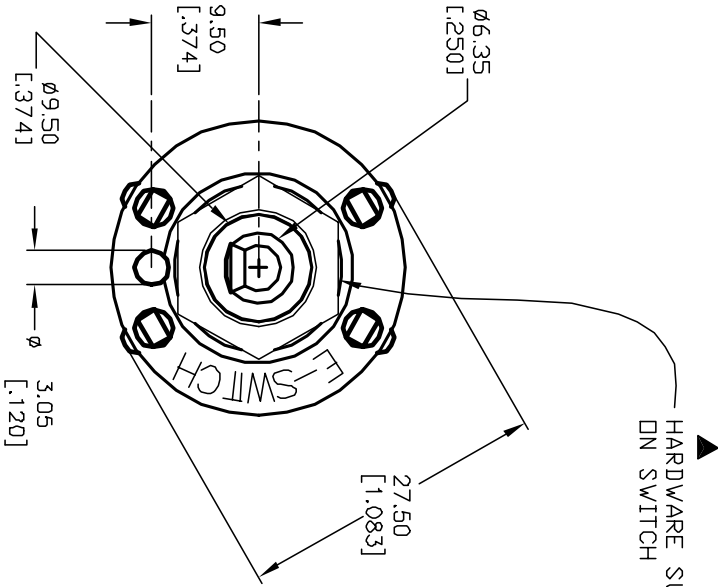
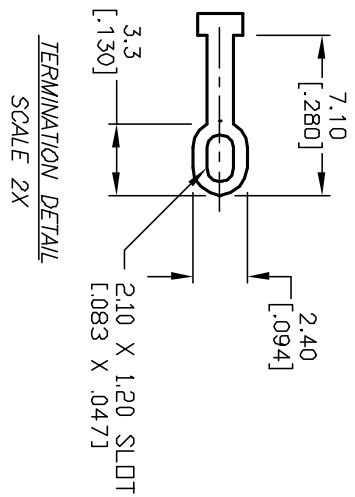
For any questions, you can email us directly:

sales@integrated-circuit.com

- NOTES:
1. ALL DIMENSION IN MM [INCH]
 2. GENERAL TOLERANCE: X.X=±0.4
X.XX=±0.25
 3. TERM. NOS. FOR REF. ONLY
 4. CONTACT RATING SWITCHING: 150mA, 250V AC/DC
350mA, 110V AC/DC
 5. OPERATING FORCE: 425±100 CM/STANDARD
 6. OPERATING TEMP: -30° to 85°C
 7. CIRCUIT 4pole: 3 POSITIONS, 30° INDEX.
 8. DIELECTRIC STRENGTH: 1000V RMS min. @SEA LEVEL.
 9. ▲ DESIGNATE MAJOR DIMENSIONS
 10. HARDWARE SUPPLIED ON SWITCH -SEE BELOW
LOCKING RING, LOCKWASHER, & HEX NUT.



CONTACT CONFIGURATION
 Timing: NON-SHORTING



B	12921	REDRAWN	2/19/03	CJB
A	11516	RELEASED FOR PRODUCTION	2/13/01	RJC
REV.	ECN No.	DESCRIPTION	DATE	CHKD

TITLE		SCALE		DATE	DR	DWG	REV
KC-43-A-(30.0mm) 01-N-L-S		1.5:1		2/13/01	RJC	G510270	B

E-SWITCH®

THE INFORMATION CONTAINED IN THIS DOCUMENT IS PROPRIETARY TO E-SWITCH AND IS NOT TO BE COPIED OR TRANSMITTED