

Excellent Integrated System Limited

Stocking Distributor

Click to view price, real time Inventory, Delivery & Lifecycle Information:

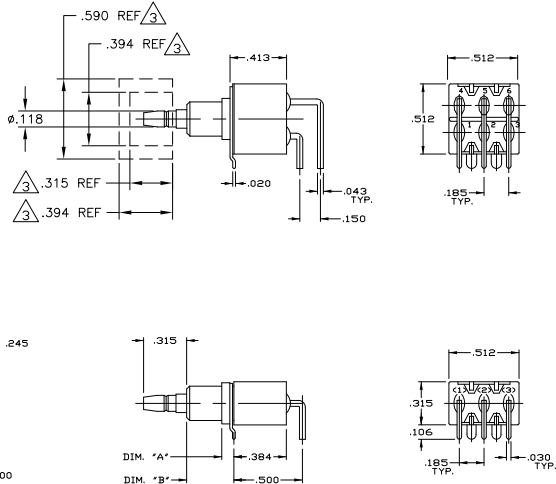
[TE Connectivity Alcoswitch Switches
1825400-2](#)

For any questions, you can email us directly:

sales@integrated-circuit.com

THIS DRAWING IS UNPUBLISHED. RELEASED FOR PUBLICATION.
 © COPYRIGHT BY TYCO ELECTRONICS CORPORATION. ALL RIGHTS RESERVED.

LOC	DIST	REVISIONS					
AD	00	P	LT#	DESCRIPTION	DATE	OWN	APPD
		A1		ECO-07-013575	19JUN2007	MB	MZ

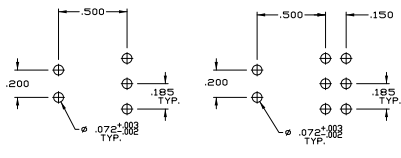


- Terminal numbers are for reference only and do not appear on switches.
 - All materials and finishes shall comply with EU Directive 2002/95/EC of 27Jan2003 (RoHS).
- △ Switch does not include plastic cap. Dimensions shown describe Alcoswitch cap C22* and C23* found on drawings 1825068 & 1825069 and sold separately.

Specifications	
Rating	3A @ 125VAC, resistive load
Initial contact resistance	10 milliohms max @ 1A, 2-4 VDC
Insulation resistance	1,000 megohms min. @ 500VDC
Dielectric withstanding voltage	1,000 VRMS at sea level
Durability	50,000 cycles
Operating Force	MPS103DRA04 = 400 +/-200 grams
	MPS103FRA04 = 300 +/-100 grams
	MPS203NRA04 = 500 +300/-200 grams
	MPS203RRA04 = 500 +200/-100 grams
Travel	momentary = .039
	push on/push off = .098
Operating temperature	-15C to +70C
Storage temperature	-15C to +70C

Materials		
Component name	Base material	Finish
Case	Epoxy resin, UL94 V-0, black	
Frame	stainless steel	
Actuator	Copper alloy	Nickel
Fixed contact	Copper alloy	Silver
Moving contact	Phosphor bronze, silver clad	
Terminals	Copper alloy	Silver
Support bracket	Brass	Tin

Tyco P/N	Alco P/N	Poles	Throws	Dim "A"	Dim "B"	Function		Connected terminals	
						On	Mom	3-2	3-1
1825400-1	MPS103DRA04	1	2	.108	.423	On	On	3-2	3-1
1825400-2	MPS103FRA04	1	2	.074	.364	On	Mom	3-2	3-1
1825400-3	MPS203NRA04	2	2	.108	.423	On	On	3-2, 6-5	3-1, 6-4
1825400-4	MPS203RRA04	2	2	.074	.364	On	Mom	3-2, 6-5	3-1, 6-4



RECOMMENDED HOLE LAYOUT
 TOLERANCE ±.002 UNLESS OTHERWISE NOTED

THIS DRAWING IS A CONTROLLED DOCUMENT. DR: R. BROWN, DATE: 09/AN/2004, IPR: M. ZITTO, DATE: 09/AN/2004, NAME: M. ZITTO, DATE: 09/AN/2004, TITLE: PUSH BUTTON, SNAP ACTION SWITCH (MPS 103*RA, MPS 203*RA) SERIES

DIMENSIONS: INCHES	TOLERANCES UNLESS OTHERWISE SPECIFIED:	0 FIC ± .005	1 FIC ± .005	2 FIC ± .010	3 FIC ± .010	4 FIC ± .010	ANGLES ± .1°	FINISH
MATERIAL: SEE CHART	FINISH: SEE CHART	WEIGHT: -	SCALE: A2	DATE CODE: 00779	DRAWING NO: 1825400	RESTRICTED TO: -		

CUSTOMER DRAWING