

## Excellent Integrated System Limited

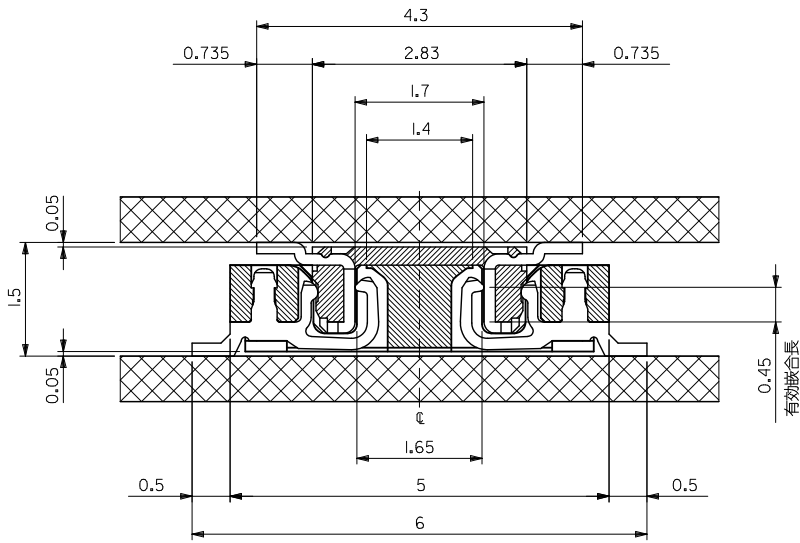
Stocking Distributor

Click to view price, real time Inventory, Delivery & Lifecycle Information:

[Molex Connector Corporation](#)  
[0555600168](#)

For any questions, you can email us directly:

[sales@integrated-circuit.com](mailto:sales@integrated-circuit.com)



注記 NOTES:

1. 使用材料 MATERIAL  
 ウェハー : 液晶ポリマー ガラス充填 ,UL94V-0(黒)  
 WAFER : LIQUID CRYSTRAL POLYMER  
 (GLASS FILLED), UL94V-0 (COLOR:BLACK)  
 ピン : 黄銅 (t=0.15)  
 PIN : BRASS(t=0.15)
2. メッキ仕様 PLATING  
 金メッキ 0.25 MICROMETER MINIMUM (コンタクト部)  
 GOLD 0.25 MICROMETER MINIMUM (CONTACT AREA).  
 金メッキ 0.4 MICROMETER MAXIMUM (テール部)  
 GOLD 0.4 MICROMETER MAXIMUM (TAIL AREA).  
 下地メッキ : ニッケルメッキ 1.5 MICROMETER MINIMUM  
 UNDER PLATING : NICKEL 1.5 MICROMETER MINIMUM.
- △ (全極数/2) = 偶数の場合に適用。  
 APPLY FOR (CIRCUIT/2)=EVEN.
4. 嵌合相手 : 54722 シリーズ, 54037 シリーズ  
 MATE WITH : 54722 SERIES, 54037 SERIES.
5. テール平坦度は 0.1 MAXIMUM  
 TAIL COPLANARITY TO BE 0.1 MAXIMUM.

嵌合断面図 (参考)  
MATED DRAWING (REF.)

REVISED EC NO. J2012-0135 DRAWN: YONOKI 2011/07/01 CHKD: TASHIKAWA 2011/07/01 APPR: MSASAO 2011/07/29	GENERAL TOLERANCES (UNLESS SPECIFIED)		DIMENSION STYLE MM ONLY	SCALE ---	DESIGN UNITS METRIC	THIRD ANGLE PROJECTION
	10 UNDER	± 0.20	DRAWN BY SAIHARA	DATE 2000/10/05	TITLE 0.5 B-TO-B CONN PLUG ASSY (HGT=1.5)	
	10 OVER 30 UNDER	± 0.25	CHECKED BY MSASAO	DATE 2003/03/31	MOLEX INCORPORATED	
	30 OVER	± 0.30	APPROVED BY MSASAO	DATE 2003/03/31	DOCUMENT NO. SD-55560-006	SHEET NO. 2 OF 2
K	ANGULAR ±3°	DRAFT WHERE APPLICABLE MUST REMAIN WITHIN DIMENSIONS	MATERIAL NO. SEE SHEET 1	THIS DRAWING CONTAINS INFORMATION THAT IS PROPRIETARY TO MOLEX INCORPORATED AND SHOULD NOT BE USED WITHOUT WRITTEN PERMISSION		

