

## Excellent Integrated System Limited

Stocking Distributor

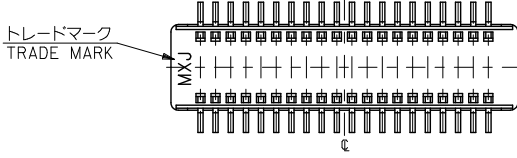
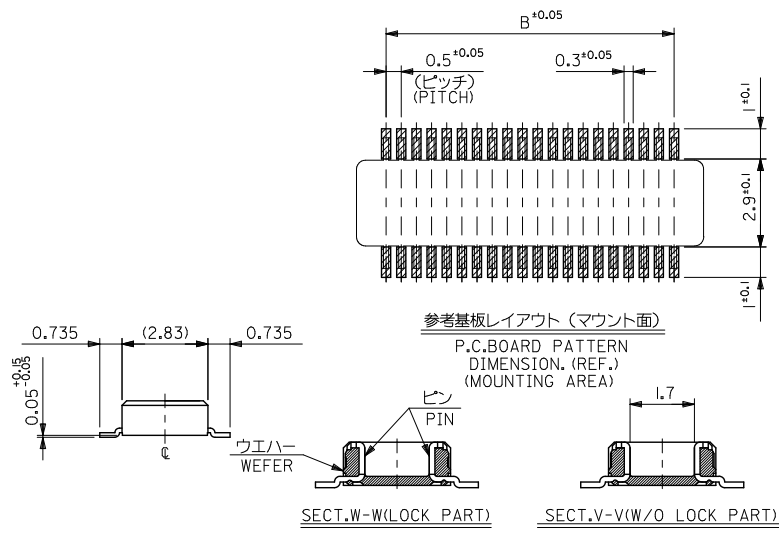
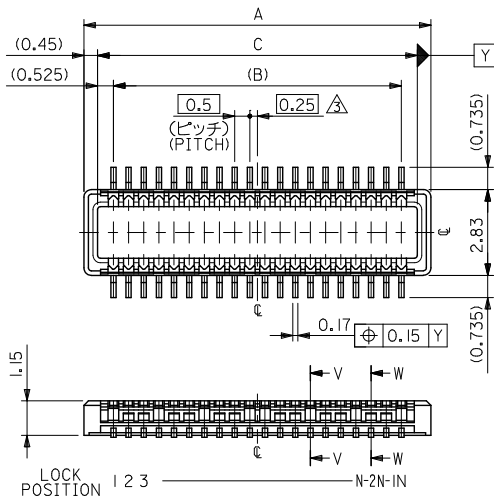
Click to view price, real time Inventory, Delivery & Lifecycle Information:

[Molex Connector Corporation](#)  
[55560-0307](#)

For any questions, you can email us directly:

[sales@integrated-circuit.com](mailto:sales@integrated-circuit.com)

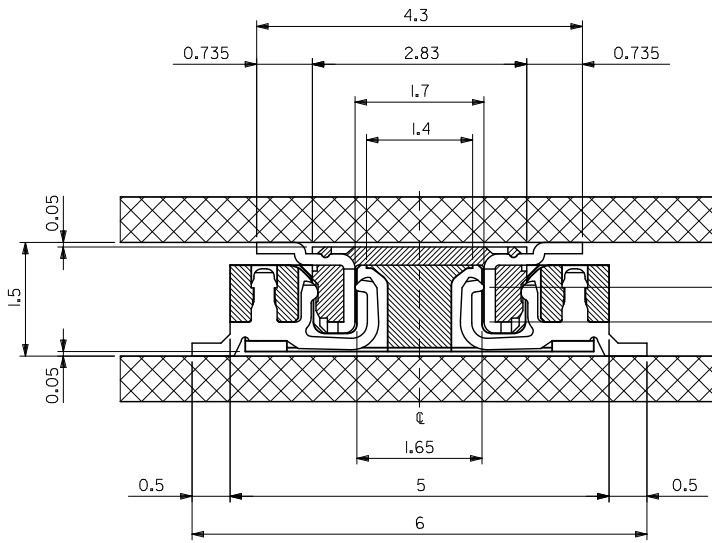
10 9 8 7 6 5 4 3 2 1



NON	20.55	19.5	21.45	55560-0801	80
10,21	15.55	14.5	16.45	-0601	60
2,4,8,10,16,18,22,24	13.05	12.0	13.95	-0501	50
2,3,5,6,8,9,12,13,15,16,18,19	10.55	9.5	11.45	-0401	40
2,3,4,5,7,8,9,10,11,13,14,15,16	9.05	8.0	9.95	-0341	34
ALL	8.05	7.0	8.95	-0301	30
	6.55	5.5	7.45	-0241	24
	6.05	5.0	6.95	-0221	22
	5.55	4.5	6.45	-0201	20
4.55	3.5	5.45	55560-0161	16	
LOCK POSITION	C	B	A	MATERIAL NO.	極数 CIRCUIT

REVISED EC NO. J2012-0135 DRAWN: YONOKI 2011/07/01 CHKD: TASAKAWA 2011/07/01 APPR: MSASAO 2011/07/29	GENERAL TOLERANCES (UNLESS SPECIFIED)		DIMENSION STYLE	SCALE	DESIGN UNITS	THIRD ANGLE PROJECTION
	10 UNDER ± 0.20		MM ONLY	---	METRIC	
	10 OVER 30 UNDER ± 0.25		DRAWN BY DATE	TITLE		
	30 OVER ± 0.30		CHECKED BY DATE	0.5 B-TO-B CONN PLUG ASSY (HGT=1.5)		
ANGULAR ± 3 °		APPROVED BY DATE	MOLEX INCORPORATED			
DRAFT WHERE APPLICABLE MUST REMAIN WITHIN DIMENSIONS		MATERIAL NO.	SEE CHART	DOCUMENT NO.	SD-55560-006	SHEET NO. 1 OF 2
K		SIZE	THIS DRAWING CONTAINS INFORMATION THAT IS PROPRIETARY TO MOLEX INCORPORATED AND SHOULD NOT BE USED WITHOUT WRITTEN PERMISSION			EN-02JA(021)

9 8 7 6 5 4 3 2 1



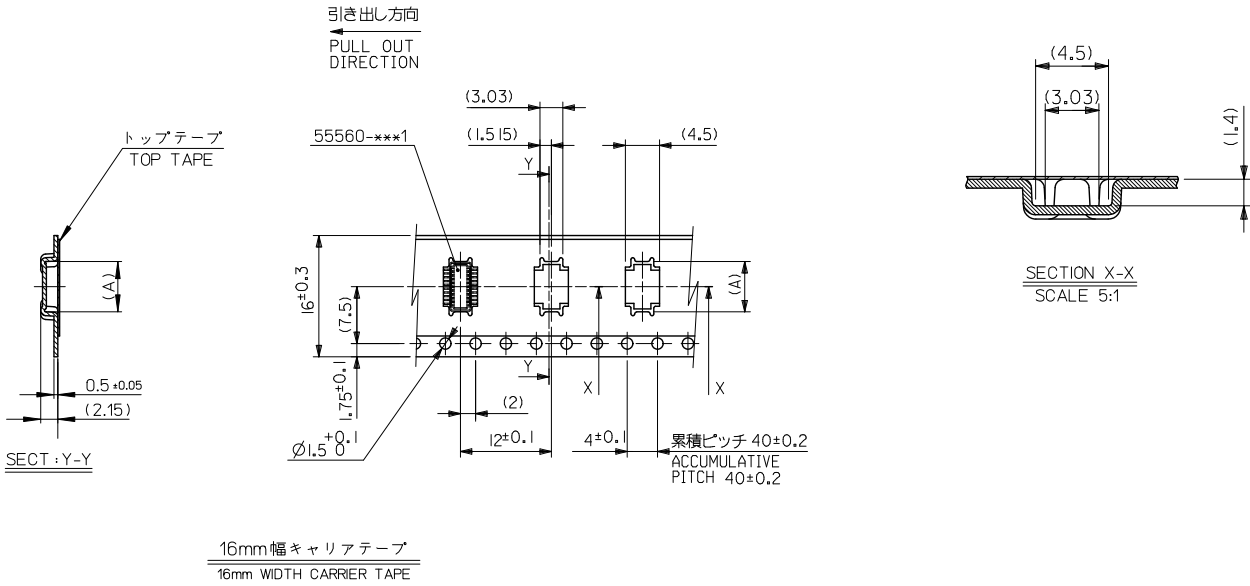
注記 NOTES:

1. 使用材料 MATERIAL  
 ウェハー : 液晶ポリマー ガラス充填 ,UL94V-0(黒)  
 WAFER : LIQUID CRYSTRAL POLYMER  
 (GLASS FILLED), UL94V-0 (COLOR:BLACK)  
 ピン : 黄銅 (t=0.15)  
 PIN : BRASS(t=0.15)
2. メッキ仕様 PLATING  
 金メッキ 0.25 MICROMETER MINIMUM (コンタクト部)  
 GOLD 0.25 MICROMETER MINIMUM (CONTACT AREA).  
 金メッキ 0.4 MICROMETER MAXIMUM (テール部)  
 GOLD 0.4 MICROMETER MAXIMUM (TAIL AREA).  
 下地メッキ : ニッケルメッキ 1.5 MICROMETER MINIMUM  
 UNDER PLATING : NICKEL 1.5 MICROMETER MINIMUM.
- △ (全極数/2) = 偶数の場合に適用。  
 APPLY FOR (CIRCUIT/2)=EVEN.
4. 嵌合相手 : 54722 シリーズ, 54037 シリーズ  
 MATE WITH : 54722 SERIES, 54037 SERIES.
5. テール平坦度は 0.1 MAXIMUM  
 TAIL COPLANARITY TO BE 0.1 MAXIMUM.

嵌合断面図 (参考)  
MATED DRAWING (REF.)

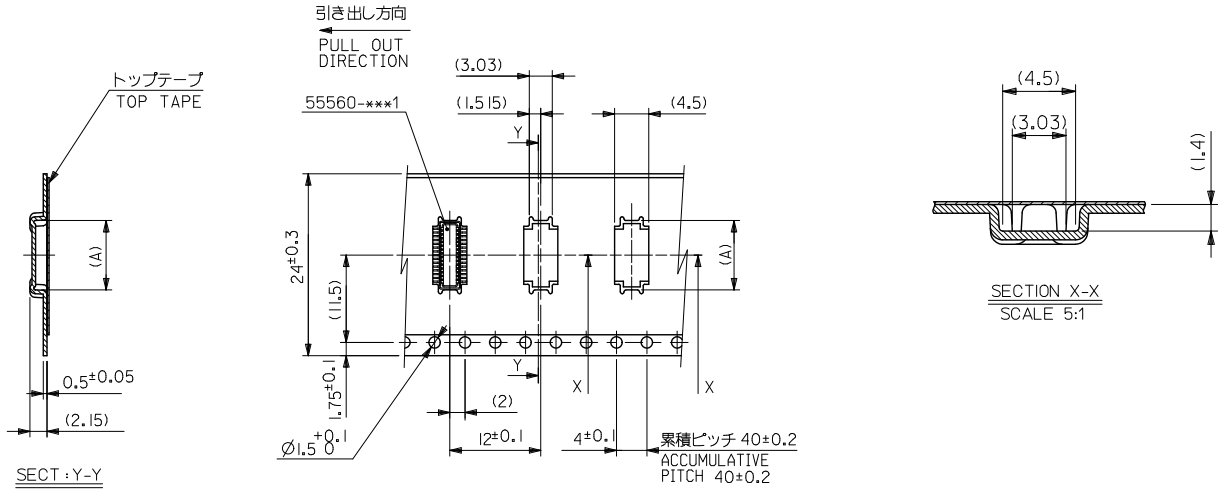
REVISED EC NO. J2012-0135 DRAWN: YONOO CHKD: TASHAWA APPR: MSASAO	DESCRIPTION 2011/07/01 2011/07/01 2011/07/29	GENERAL TOLERANCES (UNLESS SPECIFIED)		DIMENSION STYLE MM ONLY	SCALE ---	DESIGN UNITS METRIC	THIRD ANGLE PROJECTION	
		10 UNDER	± 0.20	DRAWN BY SAIHARA	DATE 2000/10/05	TITLE 0.5 B-TO-B CONN PLUG ASSY (HGT=1.5)		
		10 OVER 30 UNDER	± 0.25	CHECKED BY MSASAO	DATE 2003/03/31	MOLEX INCORPORATED		
		30 OVER	± 0.30	APPROVED BY MSASAO	DATE 2003/03/31	MATERIAL NO. SEE SHEET 1	DOCUMENT NO. SD-55560-006	SHEET NO. 2 OF 2
K		ANGULAR ±3° DRAFT WHERE APPLICABLE MUST REMAIN WITHIN DIMENSIONS		THIS DRAWING CONTAINS INFORMATION THAT IS PROPRIETARY TO MOLEX INCORPORATED AND SHOULD NOT BE USED WITHOUT WRITTEN PERMISSION				

10 9 8 7 6 5 4 3 2 1



16	17.5	6.65	55560-0207	55560-***7	20
キャリアテープ幅 CARRIER TAPE WIDTH	B	(A)	MATERIAL No.	MODEL No.	極数 CIRCUIT
GENERAL TOLERANCES (UNLESS SPECIFIED)		DIMENSION STYLE MM ONLY		SCALE ---	DESIGN UNITS METRIC
10 UNDER	± 0.2	DRAWN BY S. AIHARA		DATE '00/10/06	
10 OVER 30 UNDER	± 0.25	CHECKED BY M. SASAO		DATE '03/03/31	
30 OVER	± 0.3	APPROVED BY M. SASAO		DATE '03/03/31	
ANGULAR ±3 °		MATERIAL NO.		DOCUMENT NO.	
DRAFT WHERE APPLICABLE MUST REMAIN WITHIN DIMENSIONS		SEE CHART		SD-55560-007	
THIS DRAWING CONTAINS INFORMATION THAT IS PROPRIETARY TO MOLEX INCORPORATED AND SHOULD NOT BE USED WITHOUT WRITTEN PERMISSION					

10 9 8 7 6 5 4 3 2 1

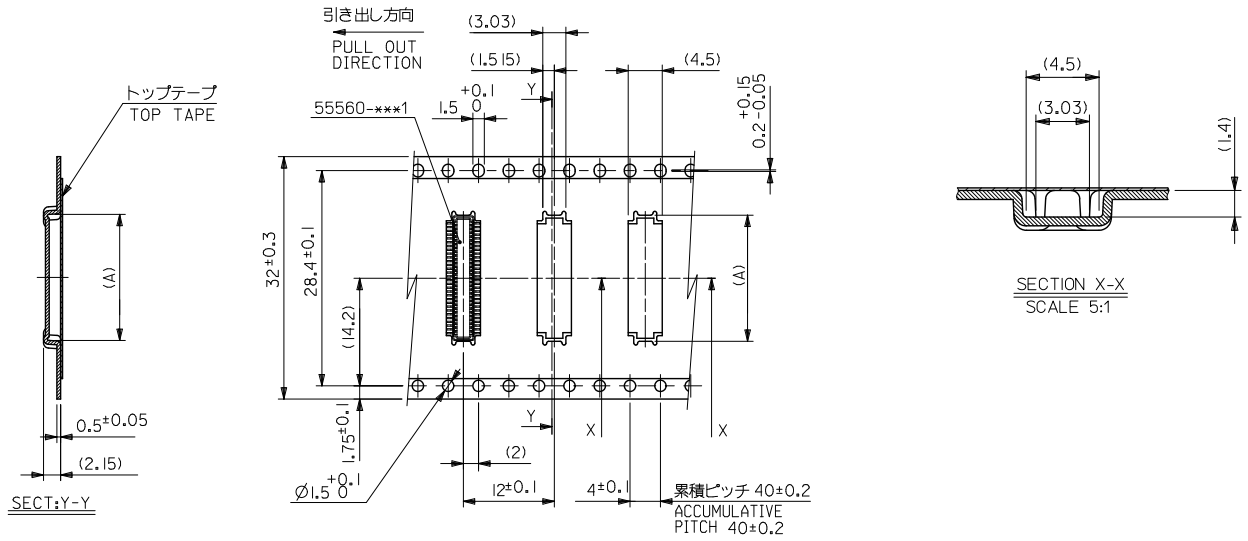


24mm幅キャリアテープ  
24mm WIDTH CARRIER TAPE

24	25.5	14.15	55560-0507	55560-***7	50
		11.65	55560-0407		40
		10.15	55560-0347		34
		9.15	55560-0307		30
		7.65	55560-0247		24
		7.15	55560-0227		22
キャリアテープ幅 CARRIER TAPE WIDTH	B	(A)	MATERIAL No.	MODEL No.	極数 CIRCUIT

REVISED EC NO. J2010-1529 DRAWN: YON002 2010/01/28 CHKD: SMURUYAMA 2010/02/04 APPR: SASAO 2010/02/02	DESCRIPTION	GENERAL TOLERANCES (UNLESS SPECIFIED)		DIMENSION STYLE MM ONLY		SCALE ---	DESIGN UNITS METRIC	THIRD ANGLE PROJECTION	
		10 UNDER	± 0.2	DRAWN BY S. AIHARA	DATE '00/10/06	TITLE 0.5 B-T0-B PLUG ASSY (HGT=1.5) EMBSTP PKG (SHEET 3 OF 5)			
		10 OVER 30 UNDER	± 0.25	CHECKED BY M. SASAO	DATE '03/03/31	MOLEX INCORPORATED			
		30 OVER	± 0.3	APPROVED BY M. SASAO	DATE '03/03/31	DOCUMENT NO. SD-55560-007			
		ANGULAR	± 3 °	DRAFT WHERE APPLICABLE MUST REMAIN WITHIN DIMENSIONS		SEE TABLE		SHEET NO. 3 OF 5	
J		THIS DRAWING CONTAINS INFORMATION THAT IS PROPRIETARY TO MOLEX INCORPORATED AND SHOULD NOT BE USED WITHOUT WRITTEN PERMISSION							

10 9 8 7 6 5 4 3 2 1

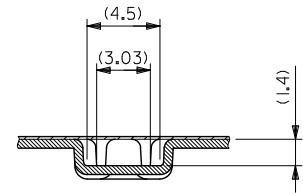
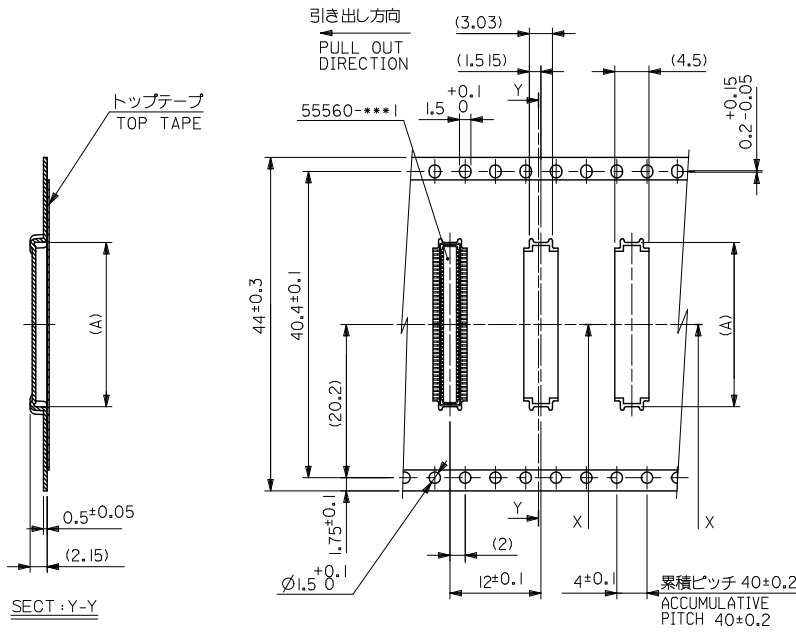


32mm幅キャリアテープ  
32mm WIDTH CARRIER TAPE

32	33.5	16.65	55560-0607	55560-***7	60
キャリアテープ幅 CARRIER TAPE WIDTH	B	(A)	MATERIAL No.	MODEL No.	極数 CIRCUIT

REVISED EC NO. J2010-1529 DRAWN: YONOKU 2010/01/28 CHKD: SMURUYAMA 2010/02/04 APPR: SASAO 2010/02/02	GENERAL TOLERANCES (UNLESS SPECIFIED)		DIMENSION STYLE MM ONLY		SCALE ---	DESIGN UNITS METRIC	THIRD ANGLE PROJECTION
	10 UNDER	±0.2	DRAWN BY T. YASUI	DATE '02/03/06	TITLE 0.5 B-T0-B PLUG ASSY (HGT=1.5) EMBSTP PKG (SHEET 4 OF 5)		
	10 OVER 30 UNDER	±0.25	CHECKED BY M. SASAO	DATE '03/03/31	MOLEX INCORPORATED		
	30 OVER	±0.3	APPROVED BY M. SASAO	DATE '03/03/31	MATERIAL NO.	DOCUMENT NO. SD-55560-007	SHEET NO. 4 OF 5
J	ANGULAR ±3 °		SEE CHART		THIS DRAWING CONTAINS INFORMATION THAT IS PROPRIETARY TO MOLEX INCORPORATED AND SHOULD NOT BE USED WITHOUT WRITTEN PERMISSION		
DESCRIPTION		DRAFT WHERE APPLICABLE MUST REMAIN WITHIN DIMENSIONS					

10 9 8 7 6 5 4 3 2 1



SECTION X-X  
SCALE 5:1

44mm幅キャリアテープ  
44mm WIDTH CARRIER TAPE

44	45.5	21.65	55560-0807	55560-***7	80
キャリアテープ幅 CARRIER TAPE WIDTH	B	(A)	MATERIAL No.	MODEL No.	極数 CIRCUIT

REVISED EC NO. J2010-1529 DRAWN: YONOKU 2010/01/28 CHKD: SMURUYAMA 2010/02/01 APPR: M.SASAO 2010/02/01	GENERAL TOLERANCES (UNLESS SPECIFIED)		DIMENSION STYLE MM ONLY		SCALE ---	DESIGN UNITS METRIC	THIRD ANGLE PROJECTION
	10 UNDER	± 0.2	DRAWN BY S. AIHARA	DATE '00/10/06	TITLE 0.5 B-T0-B PLUG ASSY (HGT=1.5) EMBSTP PKG (SHEET 5 OF 5)		
	10 OVER 30 UNDER	± 0.25	CHECKED BY M. SASAO	DATE '03/03/31			
	30 OVER	± 0.3	APPROVED BY M. SASAO	DATE '03/03/31			
ANGULAR ± 3 °		DRAFT WHERE APPLICABLE MUST REMAIN WITHIN DIMENSIONS		MATERIAL NO.	DOCUMENT NO.	MOLEX INCORPORATED	
SEE CHART		THIS DRAWING CONTAINS INFORMATION THAT IS PROPRIETARY TO MOLEX INCORPORATED AND SHOULD NOT BE USED WITHOUT WRITTEN PERMISSION		SD-55560-007		SHEET NO. 5 OF 5	