

Excellent Integrated System Limited

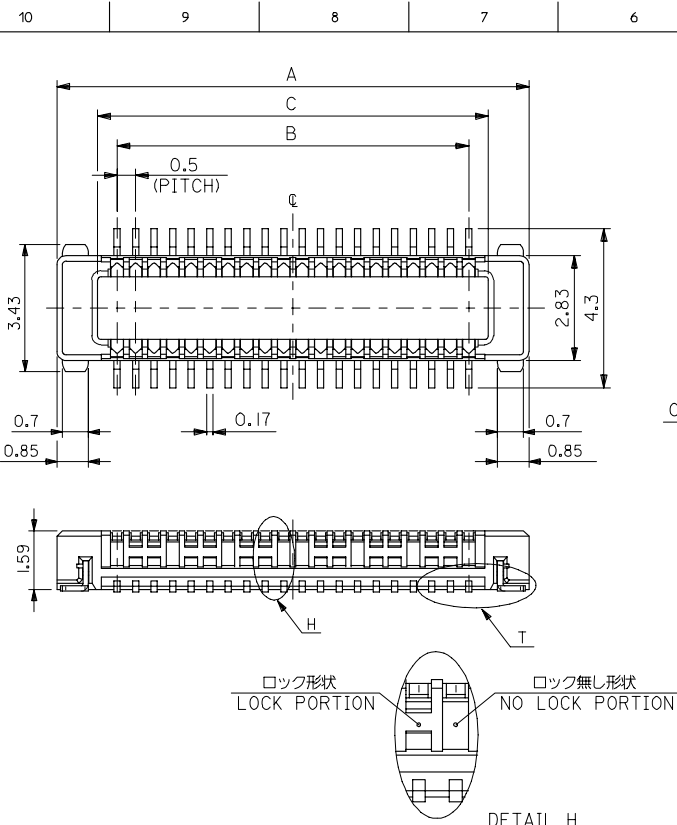
Stocking Distributor

Click to view price, real time Inventory, Delivery & Lifecycle Information:

[Molex Connector Corporation](#)
[0556500488](#)

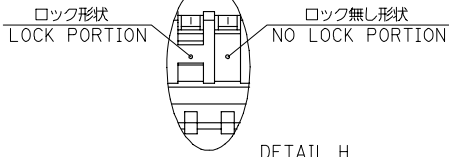
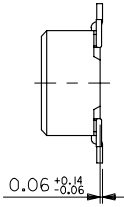
For any questions, you can email us directly:

sales@integrated-circuit.com



注記
NOTES:

1. 材質
MATERIAL
ハウジング: LCP (液晶ポリマー)、ガラス充填、黒色、UL94V-0
HOUSING: LCP LIQUID CRYSTAL POLYMER, GLASS FILLED, BLACK, UL94V-0
ターミナル: 銅合金 (t=0.15)
TERMINAL: COPPER ALLOY (t=0.15)
ネイル: 銅合金 (t=0.15)
NAIL: COPPER ALLOY (t=0.15)
2. メッキ仕様
PLATING
ターミナル
TERMINAL
接点部: 金メッキ 0.25マイクロメートル以上
CONTACT AREA: GOLD 0.25 MICROMETER MINIMUM
半田付け部: 金メッキ 0.35マイクロメートル以下
SOLDER TAIL AREA: GOLD 0.35 MICROMETER MAXIMUM
下地メッキ: ニッケルメッキ 1.0マイクロメートル以上
UNDER PLATING: NICKEL 1.0 MICROMETER MINIMUM
ネイル
NAIL
銅メッキ 1.0マイクロメートル以上
TIN 1.0 MICROMETER MINIMUM
下地メッキ: ニッケルメッキ 1.0マイクロメートル以上
UNDER PLATING: NICKEL 1.0 MICROMETER MINIMUM
3. テール平坦度は、0.08ミリメートル以下。テールとネイルを併せた平坦度は、0.1ミリメートル以下。
TAIL COPLANARITY TO BE 0.08 MAXIMUM. TAILS AND NAILS COPLANARITY TO BE 0.1 MAXIMUM.
4. 嵌合相手: 54363-***
MATED CONN.: 54363-***
5. 本製品は55650-***1の鉛フリー品である。
THIS PRODUCT IS LEAD FREE OF 55650-***1

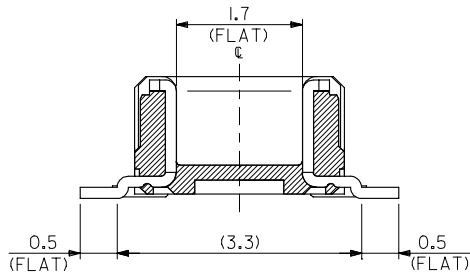


DETAIL H
SCALE 2:1

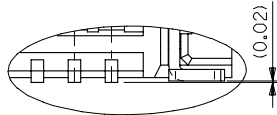
—#—	28.05	27	30.25	55650-1181	110
4	18.05	17	20.25	55650-0781	70
8	15.55	14.5	17.75	55650-0681	60
12	13.05	12	15.25	55650-0581	50
20	10.55	9.5	12.75	55650-0481	40
30	8.05	7	10.25	55650-0381	30
20	5.55	4.5	7.75	55650-0281	20

ロック数 LOCKS	C	B	A	製品番号 MATERIAL NO.	極数 CIRCUITS
---------------	---	---	---	----------------------	----------------

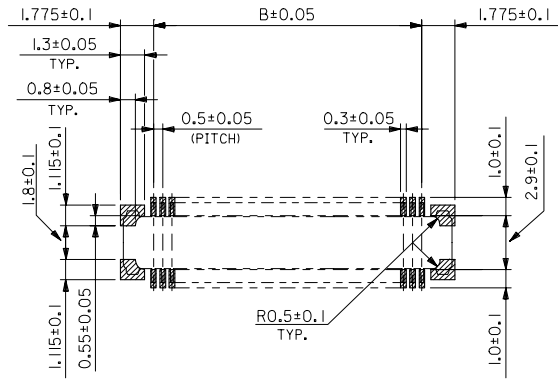
REVISED EC NO.: J2008-0540 DRAWN: YAOYAGI CHKD: K. TOYODA APP: N. ITO 2007/09/03 2007/09/04 2007/09/04	DESCRIPTION	GENERAL TOLERANCES (UNLESS SPECIFIED)	MODEL NO.	55650-***1	DESIGN UNITS	METRIC	THIRD ANGLE PROJECTION	
	10 UNDER	±0.2	DRAWN BY	M. NAGATA	DATE	2004/03/09	TITLE	0.5 MM PITCH B/B CONN. PLUG NAIL ASS'Y (H=2MM) -LEAD FREE-
	10 OVER 30 UNDER	±0.25	CHECKED BY	K. TOJO	DATE	2004/03/09	MOLEX INCORPORATED	
	30 OVER	±0.3	APPROVED BY	M. SASAO	DATE	2004/03/09		
ANGULAR	±3°	MATERIAL NO.	SEE TABLE	DOCUMENT NO.	SD-55650-013	SHEET NO.	1 OF 2	
DRAFT WHERE APPLICABLE MUST REMAIN WITHIN DIMENSIONS		SIZE	THIS DRAWING CONTAINS INFORMATION THAT IS PROPRIETARY TO MOLEX INCORPORATED AND SHOULD NOT BE USED WITHOUT WRITTEN PERMISSION					



製品断面図 (半田付け部、吸着面寸法)
DETAIL FOR SOLDERING AND VACUUM AREA



DETAIL T
T部詳細

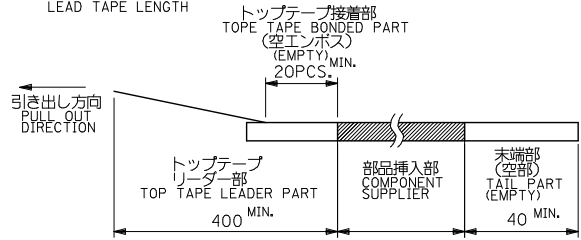


推奨基板寸法
RECOMMENDED PCB PATTERN LAYOUT
(SCALE 5:1)

REVISIONS EC NO: J2008-0540 DRAWN BY: AOYAGI CHIKDKIYODA APPR: NIKITA 2007/09/03 2007/09/03 2007/09/04	GENERAL TOLERANCES (UNLESS SPECIFIED)		DIMENSION STYLE MM ONLY	SCALE ---	DESIGN UNITS METRIC	THIRD ANGLE PROJECTION
	10 UNDER	±0.2	DRAWN BY M. NAGATA	DATE 2004/03/09	TITLE 0.5 MM PITCH B/B CONN. PLUG NAIL ASS'Y (H=2MM) -LEAD FREE-	
	10 OVER 30 UNDER	±0.25	CHECKED BY K. TOJO	DATE 2004/03/09	MOLEX INCORPORATED	
	30 OVER	±0.3	APPROVED BY M. SASAO	DATE 2004/03/09	MATERIAL NO. SEE SHEET 1	DOCUMENT NO. SD-55650-013
ANGULAR ±3°		DRAFT WHERE APPLICABLE MUST REMAIN WITHIN DIMENSIONS		THIS DRAWING CONTAINS INFORMATION THAT IS PROPRIETARY TO MOLEX INCORPORATED AND SHOULD NOT BE USED WITHOUT WRITTEN PERMISSION		

注)
NOTES

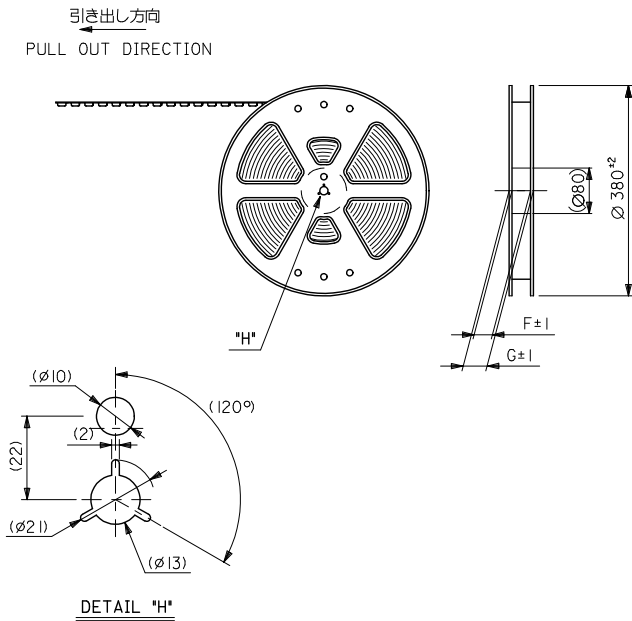
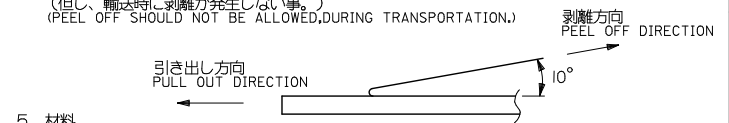
1. 製品番号55650-***81詳細寸法については、製品単体図面を参照下さい。
IN THE PACKAGE PART NUMBER 55650-***81 DETAILED DIMENSIONS, SEE SALES DRAWING FOR CONNECTOR.
2. 梱包数量:2500個/リール
NUMBER OF CONNECTORS:2500 PCS/REEL.
3. リードテープ長さ
LEAD TAPE LENGTH



4. トッテープの剥離強度: (剥離方向は下図参照)
PEELING OFF FORCE OF TOP TAPE (PELLING DIRECTION AS SHOWN IN FOLLOWING FIGURE.)
0.1~1.3N(10~130gf)

尚、本規格値は、出荷時に適用。
THIS REQUIREMENT SHOULD BE APPLIED AT SHIPMENT.
(但し、輸送時に剥離が発生しない事。)
(PEEL OFF SHOULD NOT BE ALLOWED, DURING TRANSPORTATION.)

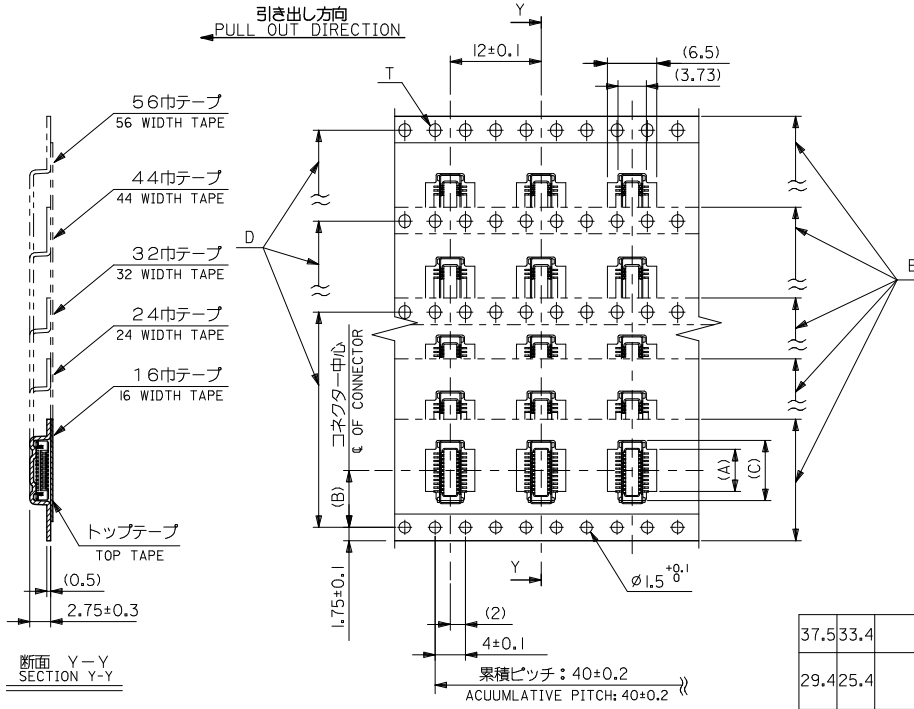
5. 材料
MATERIAL
キャリアテープ:ポリプロピレン (PP)
CARRIER TAPE:POLYPROPYLENE(PP)
トッテープ:P.E.T, P.E, P.EF
TOP TAPE:P.E.T, P.E, P.EF
リール:ポリスチレン (PS) <リサイクル材を含む>
REEL : POLYSTYRENE(PS) <RECYCLE MATERIAL CONTAINED>
6. 本製品は55650-***8の鉛フリー品である。
THIS PRODUCT IS LEAD FREE OF 55650-***8



MATERIAL 材料	注記参照 SEE NOTES	REVISED REV. NO. J2009-0552 DEC. NO. J2009-0552 DRAWN: YOSHIDAM CHKD: HARUYAMA APPR: NUKITA 2008/12/04 2008/12/04 2008/12/08	GENERAL TOLERANCES (UNLESS SPECIFIED)	DIMENSION STYLE MM ONLY	SCALE ---	DESIGN UNITS METRIC	THIRD ANGLE PROJECTION
FINISH 仕上げ	注記参照 SEE NOTES		10 UNDER ±0.2	DRAWN BY DATE M. NAGATA 2004/03/09	TITLE EMBOSSD TAPE PACKAGE FOR 55650-***81 -LEAD FREE-		
WIRE RANGE 適用電線範囲	---		10 OVER 30 UNDER ±0.25	CHECKED BY DATE K. TOJO 2004/03/09	MOLEX INCORPORATED		
INS. RANGE 被覆外径	---		30 OVER ±0.3	APPROVED BY DATE M. SASAO 2004/03/09	MATERIAL NO. SEE SHEET 2	DOCUMENT NO. SD-55650-014	SHEET NO. 1 OF 2
			ANGULAR ±3 °	THIS DRAWING CONTAINS INFORMATION THAT IS PROPRIETARY TO MOLEX INCORPORATED AND SHOULD NOT BE USED WITHOUT WRITTEN PERMISSION			
			DRAFT WHERE APPLICABLE WITHIN DIMENSIONS				

10 9 8 7 6 5 4 3 2 1

F
E
D
C
B
A



断面 Y-Y
SECTION Y-Y

37.5	33.4	32±0.3	28.4	20.45	14.2	18.05	55650-0788	70
				17.95		15.55	55650-0688	60
29.4	25.4	24±0.3	#	15.45	11.5	13.05	55650-0588	50
				12.95		10.55	55650-0488	40
				10.45		8.05	55650-0388	30
21.4	17.4	16±0.3		7.95	7.5	5.55	55650-0288	20
G	F	E	D	(C)	(B)	(A)	製品番号 MATERIAL NO.	極数 CIRCUITS

MATERIAL 材料		注記参照 SEE NOTES		MODEL NO. 55650-***88		GENERAL TOLERANCES (UNLESS SPECIFIED)		DIMENSION STYLE MM ONLY		SCALE ---		DESIGN UNITS METRIC		THIRD ANGLE PROJECTION	
FINISH 仕上げ		注記参照 SEE NOTES		DESCRIPTION		10 UNDER ±0.2		DRAWN BY M. NAGATA		DATE 2004/03/09		TITLE EMBOSSD TAPE PACKAGE FOR 55650-***81 -LEAD FREE-		SHEET NO. 2 OF 2	
WIRE RANGE 適用電線範囲		---		REVISED		10 OVER 30 UNDER ±0.25		CHECKED BY K. TOJO		DATE 2004/03/09		MOLEX INCORPORATED			
INS. RANGE 被覆外径		---		REV		30 OVER ±0.3		APPROVED BY M. SASAO		DATE 2004/03/09		DOCUMENT NO. SD-55650-014			
				IEC NO. J2009-0552		ANGULAR ±3°		MATERIAL NO.		SEE TABLE		THIS DRAWING CONTAINS INFORMATION THAT IS PROPRIETARY TO MOLEX INCORPORATED AND SHOULD NOT BE USED WITHOUT WRITTEN PERMISSION			
				DRAWN: YOSHIDAM 2008/12/04		DRAFT WHERE APPLICABLE MUST REMAIN WITHIN DIMENSIONS		SIZE A3							
				CHKD: HARUYAMA 2008/12/04											
				APPR: NUKITA 2008/12/08											