

## Excellent Integrated System Limited

Stocking Distributor

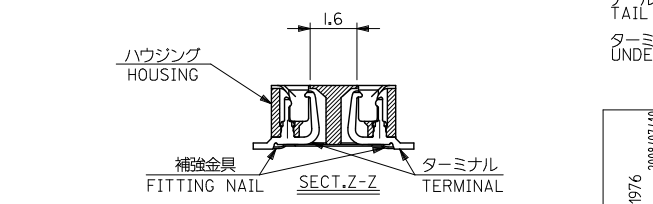
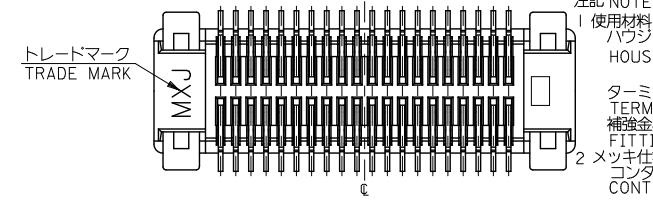
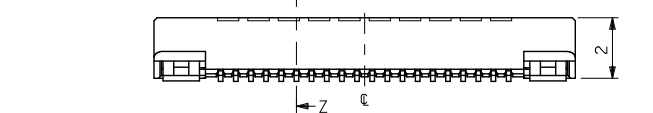
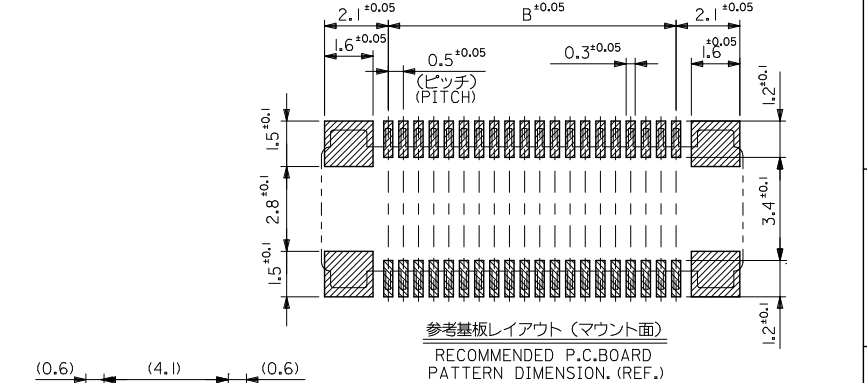
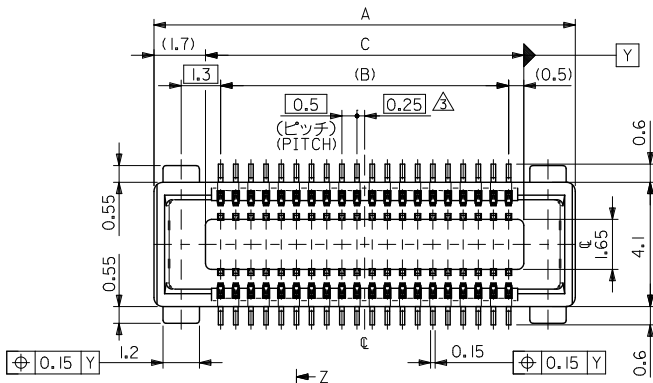
Click to view price, real time Inventory, Delivery & Lifecycle Information:

[Molex Connector Corporation](#)  
[0541500878](#)

For any questions, you can email us directly:

[sales@integrated-circuit.com](mailto:sales@integrated-circuit.com)

10 9 8 7 6 5 4 3 2 1



参考基板レイアウト (マウント面)  
RECOMMENDED P.C. BOARD  
PATTERN DIMENSION. (REF.)  
(MOUNTING AREA)

補強金具 : 銅メッキ  
FITTING NAIL : TIN 1.0 MICROMETER MINIMUM  
補強金具下地メッキ : ニッケルメッキ  
UNDER PLATING : NICKEL (FITTING NAIL)  
1.0 MICROMETER MINIMUM

注記 NOTES:  
1 使用材料 MATERIAL  
ハウジング: LCP ガラス充填 UL94V-0 (黒)  
HOUSING: LCP (GLASS FILLED) UL94V-0  
(COLOR: BLACK)  
ターミナル: リン青銅 (t=0.15)  
TERMINAL: PHOSPHOR BRONZE (t=0.15)  
補強金具: リン青銅 (t=0.2)  
FITTING NAIL: PHOSPHOR BRONZE (t=0.2)  
2 メッキ仕様 PLATING  
コンタクト部 : 金メッキ  
CONTACT AREA : GOLD  
テール部 : 金メッキ  
TAIL AREA : GOLD  
ターミナル部下地メッキ : ニッケルメッキ  
UNDER PLATING : NICKEL (TERMINAL AREA)  
1.5 MICROMETER MINIMUM

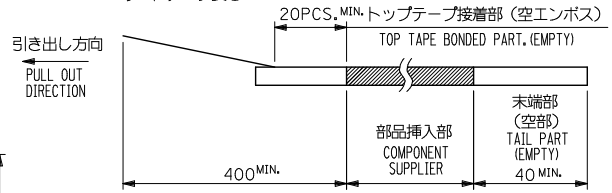
△ (全極数/2) = 偶数の場合に適用。  
△ APPLY FOR (CIRCUIT/2) = EVEN.  
4 嵌合相手 : 53949 シリーズ  
MATE WITH : 53949 SERIES.  
5 テール及びネールの平坦度は、0.1MAX.  
TAIL AND NAIL COPLANARITY TO BE 0.1MAX.  
△ テール部に適用。  
△ APPLY TO THE TAIL AREA.  
△ ネール部に適用。  
△ APPLY TO THE NAIL AREA.  
8 本製品は 54150-\*\*\*I の鉛フリー品である。  
THIS PRODUCT IS LEAD FREE OF 54150-\*\*\*I.  
9. ELV及びRoHS適合品。  
ELV AND ROHS COMPLIANT.

20.5	19.5	23.9	54150-0878	80
C	B	A	EMBOSSED TAPE	CIRCUIT
ORDER No. オーダー番号				
CONNECTOR No. 54150-***71				

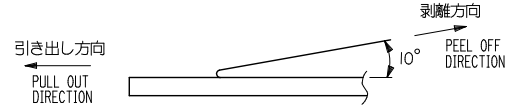
REVISED EC NO. J2010-1976 DRAWN: MABEI 2008/07/10 CHKD: MATSUMOTO 2010/06/17 APPR: HIRATA 2010/06/18 DESCRIPTION	GENERAL TOLERANCES (UNLESS SPECIFIED)		DIMENSION STYLE MM ONLY		SCALE ---	DESIGN UNITS METRIC	THIRD ANGLE PROJECTION
	10 UNDER	± 0.2	DRAWN BY H. KAWABATA	DATE '04/03/03	TITLE 0.5 B-T0-B REC HSG ASSY WITH FITTING NAIL		
	10 OVER 30 UNDER	± 0.25	CHECKED BY K. TOJO	DATE '04/03/03	MOLEX INCORPORATED		
	30 OVER	± 0.3	APPROVED BY M. SASAO	DATE '04/03/03	DOCUMENT NO. SD-54150-001		
A	ANGULAR ± 3 °	DRAFT WHERE APPLICABLE MUST REMAIN WITHIN DIMENSIONS		SEE TABLE		SHEET NO. 1 OF 1	
SIZE A3				THIS DRAWING CONTAINS INFORMATION THAT IS PROPRIETARY TO MOLEX INCORPORATED AND SHOULD NOT BE USED WITHOUT WRITTEN PERMISSION			

**NOTES**

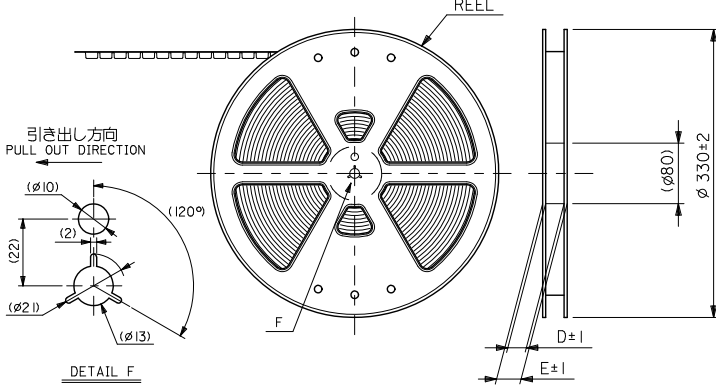
- 製品詳細寸法については図面 SD-54150-001 を参照下さい。  
RE DETAILED DIMENSION, SEE SD-54150-001.
- 梱包数量 : 3000個/リール  
NUMBER OF CONNECTORS : 3000PCS/REEL
- リードテープ長さ LEAD TAPE LENGTH



- トップテープの剥離強度 : 0.1 ~ 1.3N {10 ~ 130gf} (剥離方向は下図参照)  
尚、本規格値は出荷時に適用。(但し、輸送時に剥離が発生しないこと。)  
PEELING OFF FORCE OF TOP TAPE : 0.1 ~ 1.3N {10 ~ 130gf}  
(PEELING DIRECTION AS SHOWN IN FOLLOWING FIG.)  
THIS REQUIREMENT SHOULD BE APPLIED AT SHIPMENT.  
PEEL OFF SHOULD NOT BE ALLOWED, DURING TRANSPORTATION.

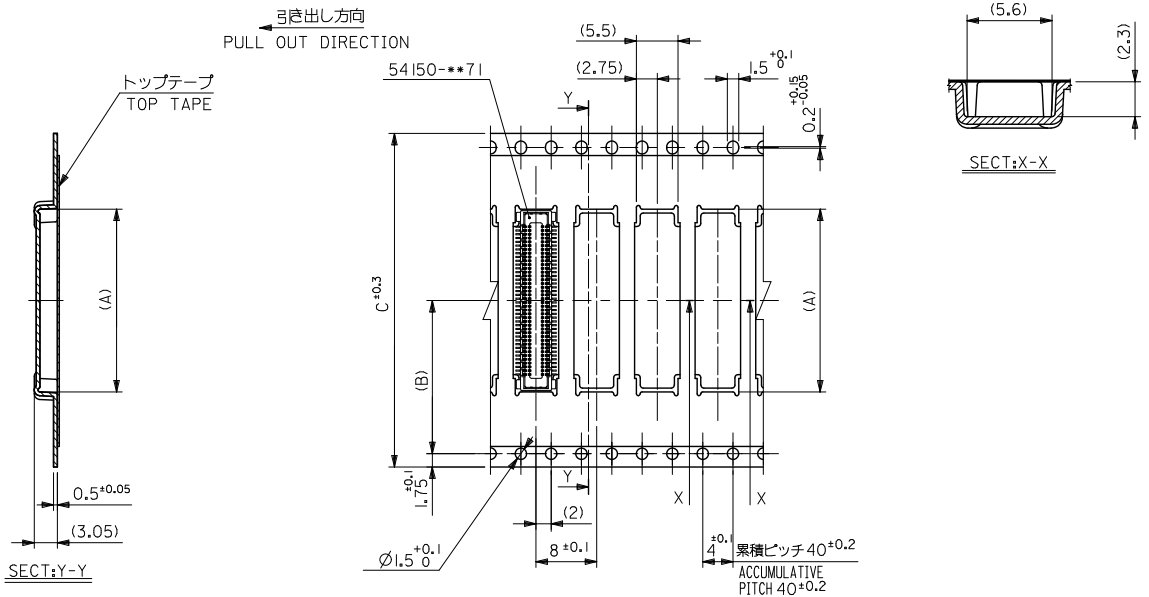


- 材料 (MATERIAL)  
キャリアテープ (CARRIER TAPE) : ポリプロピレン (POLYPROPYLENE (PP))  
トップテープ (TOP TAPE) : PET, PE, PEF  
リール (REEL) : ポリスチレン (PS) (POLYSTYRENE (PS))  
リサイクル材を含む (RECYCLE MATERIAL CONTAINED)
- 本製品は 54150-\*\*\*8 の鉛フリー品である。  
THIS PRODUCT IS LEAD FREE OF 54150-\*\*\*8.



REVISED EC NO. J2010-1271 DRAWN: SUZUKI 2010/05/24 CHKD: HIRATA 2010/05/24 APPR: HIRATA 2010/06/16	GENERAL TOLERANCES (UNLESS SPECIFIED)		DIMENSION STYLE	SCALE	DESIGN UNITS	MODEL NO.	54150-***78	
			MM ONLY	---	METRIC	THIRD ANGLE PROJECTION		
	10 UNDER	±---	DRAWN BY	DATE	TITLE			
	10 OVER 30 UNDER	±---	CHECKED BY	DATE	0.5 B-TO-B CONN REC HSG ASSY W/ NAIL EMBSTP PKG			
30 OVER	±---	APPROVED BY	DATE	MOLEX INCORPORATED				
ANGULAR	±---°	MATERIAL NO.	SEE TABLE	DOCUMENT NO.	SD-54150-002		SHEET NO.	
DRAFT WHERE APPLICABLE MUST REMAIN WITHIN DIMENSIONS		SIZE	THIS DRAWING CONTAINS INFORMATION THAT IS PROPRIETARY TO MOLEX INCORPORATED AND SHOULD NOT BE USED WITHOUT WRITTEN PERMISSION					1 OF 2

10 9 8 7 6 5 4 3 2 1



44mm幅キャリアテープ  
44mm WIDTH CARRIER TAPE

54150-***78	44	49.4	45.4	44	20.2	24.1	54150-0878	80
MODEL NO.	キャリアテープ幅 CARRIER TAPE WIDTH	E	D	C	(B)	(A)	MATERIAL NO.	極微 CIRCUIT

REVISED EC NO. J2010-1271 DRAWN: SUZUKI 01 CHKD: HIRATA APPR: HIRATA REV A	DESCRIPTION	GENERAL TOLERANCES (UNLESS SPECIFIED)	DIMENSION STYLE MM ONLY	SCALE ---	DESIGN UNITS METRIC	THIRD ANGLE PROJECTION
	10 UNDER	±---	DRAWN BY	DATE	TITLE	0.5 B TO B CONN REC HSG ASSY W/ NAIL EMBSTP PKG
	10 OVER 30 UNDER	±---	CHECKED BY	DATE	MOLEX INCORPORATED	
	30 OVER	±---	APPROVED BY	DATE		MATERIAL NO.
ANGULAR	±--- °	DRAFT WHERE APPLICABLE MUST REMAIN WITHIN DIMENSIONS	SEE TABLE	SD-54150-002	SHEET NO. 2 OF 2	
SIZE A3 THIS DRAWING CONTAINS INFORMATION THAT IS PROPRIETARY TO MOLEX INCORPORATED AND SHOULD NOT BE USED WITHOUT WRITTEN PERMISSION						