

## Excellent Integrated System Limited

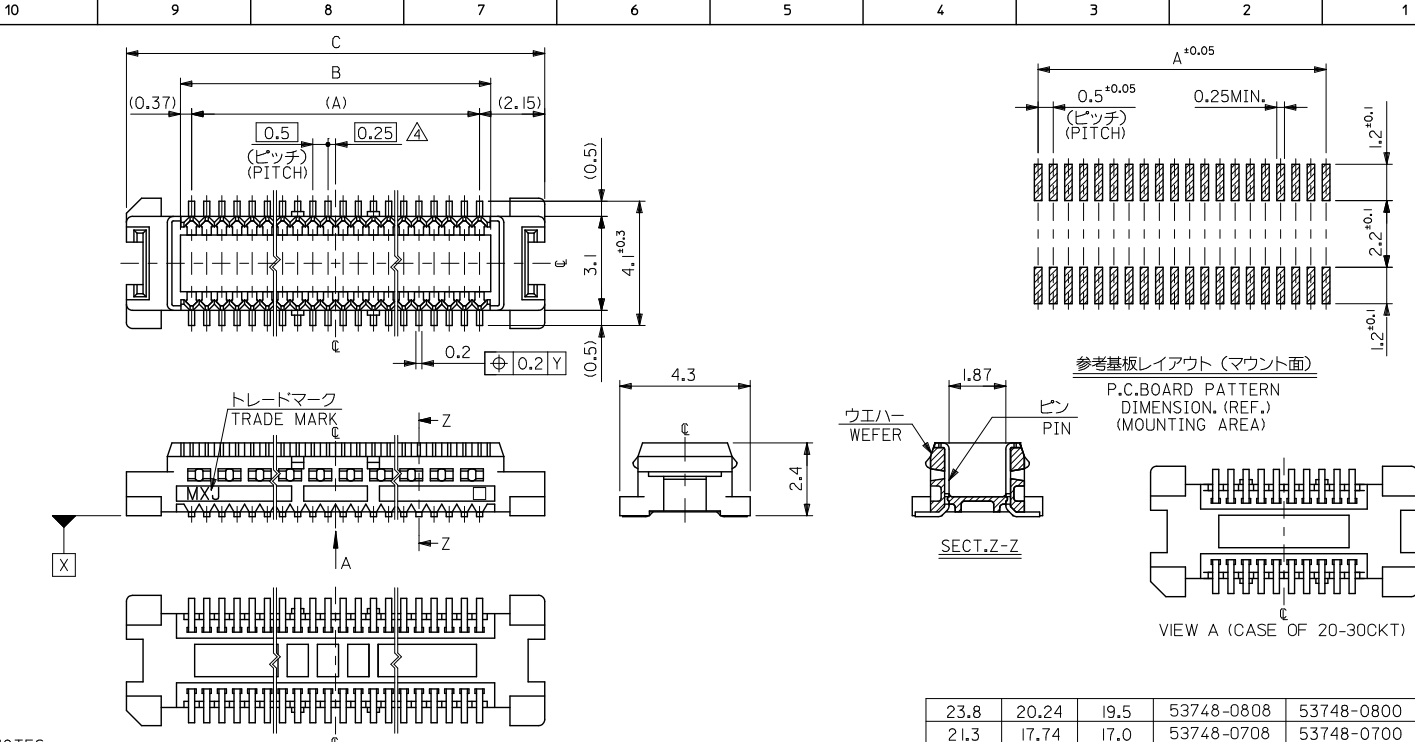
Stocking Distributor

Click to view price, real time Inventory, Delivery & Lifecycle Information:

[Molex Connector Corporation](#)  
[0537480408](#)

For any questions, you can email us directly:

[sales@integrated-circuit.com](mailto:sales@integrated-circuit.com)



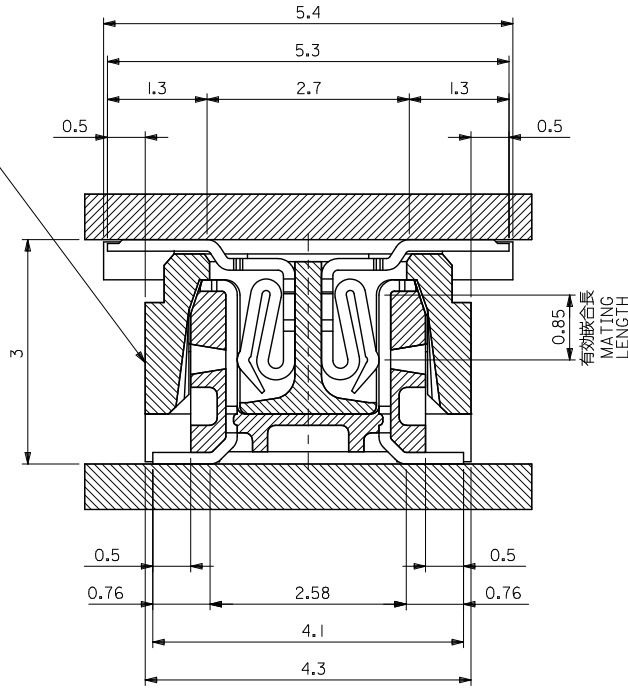
- 注記 NOTES:
1. 使用材料 MATERIAL  
ハウジング: LCP(ガラス入り(白)), UL94V-0  
HOUSING: LCP(G.F.)(COLOR: WHITE), UL94V-0  
ターミナル: 黄銅 (t=0.15)  
TERMINAL: BRASS (t=0.15)
  2. メッキ仕様 PLATING  
全体仕上げ: 金メッキ 0.1 MICROMETER MIN.  
ALL OVER: GOLD 0.1 MICROMETER MIN.  
下地メッキ: ニッケルメッキ 1.5 MICROMETER MIN.  
UNDER PLATING: NICKEL 1.5 MICROMETER MIN.
  3. 基準面 [X] からのソルダテールの半田付け面のズレ量は、上方向 0 下方向 0.15MAX. とする。  
MISALIGNMENT OF SOLDER TAIL FROM [X]  
: UPPER DIRECTION 0, LOWER DIRECTION 0.15 MAX.
  4. (全極数/2) = 偶数の場合に適用。  
APPLY FOR (CIRCUIT/2) = EVEN.
  - 5 嵌合相手: 52991 シリーズ 54167 シリーズ  
MATE WITH: 52991 SERIES, 54167 SERIES.
  - 6 テール平坦度は、0.1MAX.  
TAIL COPLANARITY TO BE 0.1MAX.
  7. ELV及びRoHS適合品  
ELV AND RoHS COMPLIANT

23.8	20.24	19.5	53748-0808	53748-0800	80
21.3	17.74	17.0	53748-0708	53748-0700	70
18.8	15.24	14.5	53748-0608	53748-0600	60
13.8	10.24	9.5	53748-0408	53748-0400	40
11.3	7.74	7.0	53748-0308	53748-0300	30
8.8	5.24	4.5	53748-0208	53748-0200	20
C	B	A	EMBOSSED TAPE ORDER No.	MATERIAL NO.	極数 CIRCUIT

REVISED EC NO. J2010-1926 DRAWN BY DRWANKIYODA CHKD: SMURUYAMA APPR: HSASAO 2010/03/24 2010/03/26 2010/03/29	GENERAL TOLERANCES (UNLESS SPECIFIED)		DIMENSION STYLE MM ONLY		SCALE 8:1	DESIGN UNITS METRIC	THIRD ANGLE PROJECTION
	10 UNDER	± 0.2	DRAWN BY S. AIHARA	DATE '96/12/27	TITLE 0.5 B-TO-B CONN PLUG ASSY (W/O BOSS, W/O NAIL)		
	10 OVER 30 UNDER	± 0.25	CHECKED BY M. SASAO	DATE '01/12/26	MOLEX INCORPORATED		
	30 OVER	± 0.3	APPROVED BY M. SASAO	DATE '01/12/26	DOCUMENT NO. SD-53748-002		
ANGULAR ± 3 °		DRAFT WHERE APPLICABLE MUST REMAIN WITHIN DIMENSIONS		MATERIAL NO.		SHEET NO. 1 OF 2	
SIZE A3		THIS DRAWING CONTAINS INFORMATION THAT IS PROPRIETARY TO MOLEX INCORPORATED AND SHOULD NOT BE USED WITHOUT WRITTEN PERMISSION					

10 9 8 7 6 5 4 3 2 1

嵌合相手 MATE WITH  
52991-\*\*\*\*0 (白 WHITE)  
54167-\*\*\*\*1 (黒 BLACK)



嵌合断面図 (参考)  
MATED DRAWING (REF.)

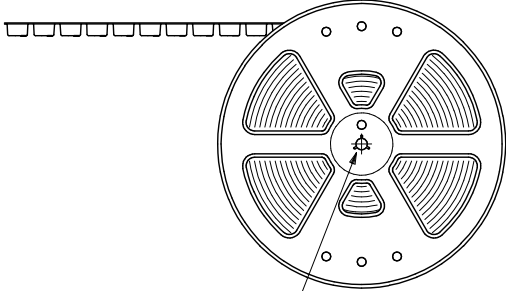
MODEL NO. 53748-\*\*\*\*0

REVISED EC NO. J2010-1926 DRAWN BY DRANKIYODA '2010/03/24 CHKD:SMURUYAMA '01/12/26 APPR:MSASAO '2010/03/29	GENERAL TOLERANCES (UNLESS SPECIFIED)		DIMENSION STYLE MM ONLY	SCALE 8:1	DESIGN UNITS METRIC	THIRD ANGLE PROJECTION
	10 UNDER	±---	DRAWN BY S. AIHARA	DATE '96/2/27	TITLE 0.5 B-T0-B CONN PLUG ASSY (W/O BOSS ,W/O NAIL)	
	10 OVER 30 UNDER	±---	CHECKED BY M. SASAO	DATE '01/12/26	MOLEX INCORPORATED	
	30 OVER	±---	APPROVED BY M. SASAO	DATE '01/12/26	DOCUMENT NO. SD-53748-002	
	ANGULAR	±--- °	MATERIAL NO.	SEE TABLE	SHEET NO. 2 OF 2	
	DRAFT WHERE APPLICABLE MUST REMAIN WITHIN DIMENSIONS		THIS DRAWING CONTAINS INFORMATION THAT IS PROPRIETARY TO MOLEX INCORPORATED AND SHOULD NOT BE USED WITHOUT WRITTEN PERMISSION			

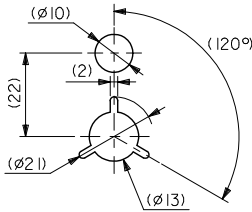
**NOTES**

1. 製品詳細寸法については図面 SD-53748-002 を参照下さい。  
RE DETAILED DIMENSION, SEE SD-53748-002
2. 梱包数量 : 3000個/リール  
NUMBER OF CONNECTORS : 3000PCS/REEL
3. リードテープ長さ LEAD TAPE LENGTH

引き出し方向  
PULL OUT  
DIRECTION

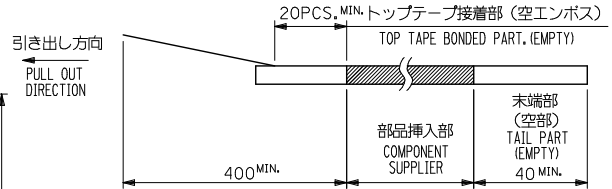
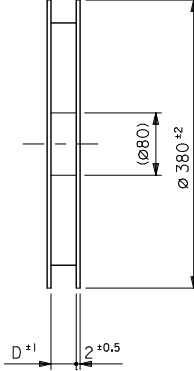


"F"

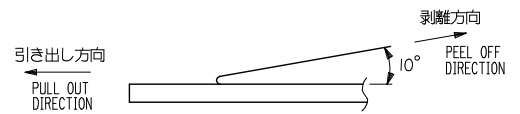


**DETAIL "F"**

引き出し方向  
PULL OUT  
DIRECTION



4. トップテープの剥離強度 : 0.1N ~ 0.7N (10.2gf ~ 71.4gf)  
(剥離方向は下図参照)  
尚、本規格値は出荷時に適用。(但し、輸送時に剥離が発生しないこと。)  
PEELING OFF FORCE OF TOP TAPE : 0.1N ~ 0.7N (10.2gf ~ 71.4gf)  
(PEELING DIRECTION AS SHOWN IN FOLLOWING FIG.)  
THIS REQUIREMENT SHOULD BE APPLIED AT SHIPMENT.  
PEEL OFF SHOULD NOT BE ALLOWED, DURING TRANSPORTATION.

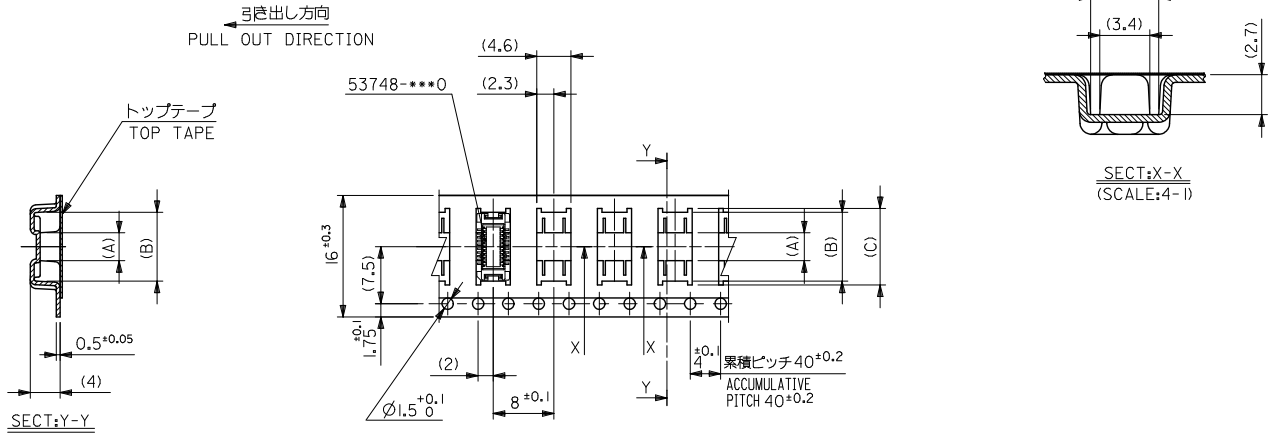


5. 材料 (MATERIAL)  
キャリアテープ (CARRIER TAPE) : ポリプロピレン (POLYPROPYLENE)  
トップテープ (TOP TAPE) : PET, PE, PEF  
リール (REEL) : ポリスチレン (PS) <リサイクル材を含む>  
POLYSTYREN (PS) <RECYCLE MATERIAL CONTAINED>

MODEL NO. 53748-\*\*\*8

REVISED EC NO. J2009-0487 DRAWN BY DR. NAKAMURA 2008/12/08 CHECKED BY CHIKO-T. HARIYAMA 2008/12/08 APPROVED BY APPR. NUKITA 2009/01/09	GENERAL TOLERANCES (UNLESS SPECIFIED)		DIMENSION STYLE MM ONLY	SCALE ---	DESIGN UNITS METRIC	THIRD ANGLE PROJECTION
	10 UNDER	± 0.2	DRAWN BY T. NIITSU	DATE '95/10/17	TITLE 0.5 BTB CONN PLUG (BOSS, NAIL) EMBSTP PKG	
	10 OVER 30 UNDER	± 0.25	CHECKED BY T. ITO	DATE '01/11/23		
	30 OVER	± 0.3	APPROVED BY M. FUKUSHIMA	DATE '01/11/23	MOLEX INCORPORATED	
ANGULAR	± 3 °	MATERIAL NO.	SEE TABLE	DOCUMENT NO.	SD-53748-005	
DRAFT WHERE APPLICABLE MUST REMAIN WITHIN DIMENSIONS		SIZE A3	THIS DRAWING CONTAINS INFORMATION THAT IS PROPRIETARY TO MOLEX INCORPORATED AND SHOULD NOT BE USED WITHOUT WRITTEN PERMISSION			

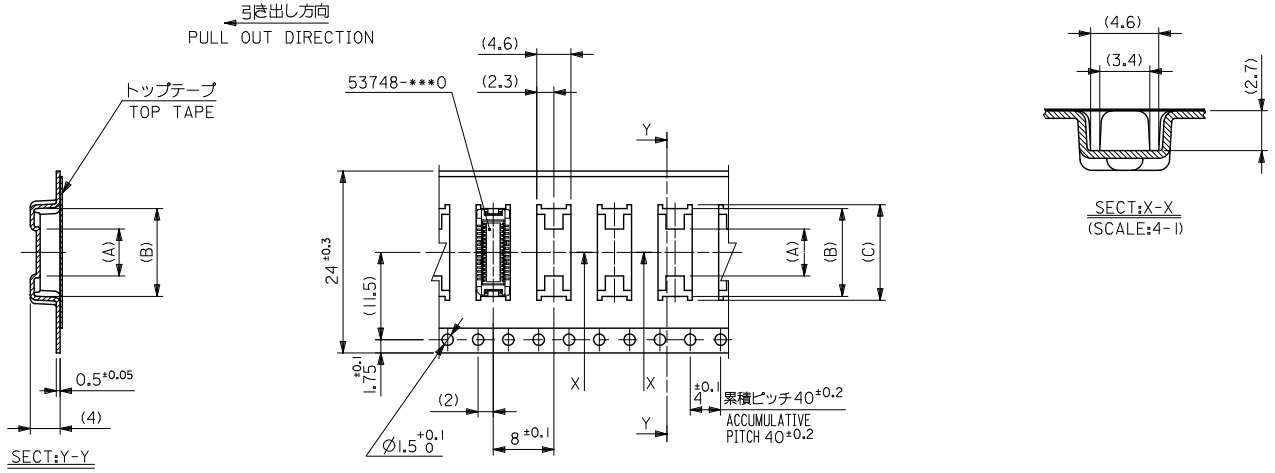
10 9 8 7 6 5 4 3 2 1



16	17.5	10.1	9.1	3.7	53748-0208	20
キャリアテープ幅 CARRIER TAPE WIDTH	D	(C)	(B)	(A)	MATERIAL NO.	種数 CKT.

REVISED EC NO. J2009-0487 DRAWN: KAMIMURA 2008/12/08 CHKD: HARUYAMA 2008/12/08 APPR: NUKITA 2009/01/09	GENERAL TOLERANCES (UNLESS SPECIFIED)		DIMENSION STYLE MM ONLY	SCALE ---	DESIGN UNITS METRIC	MODEL NO. 53748-***8	THIRD ANGLE PROJECTION
	10 UNDER	± ---	DRAWN BY T. NIITSU	DATE '95/10/17	TITLE 0.5 BTB CONN PLUG(W/O BOSS W/O NAIL/EMBSTP PKG		
	10 OVER 30 UNDER	± ---	CHECKED BY T. ITO	DATE '01/11/23	APPROVED BY M. FUKUSHIMA		
	30 OVER	± ---	DATE '01/11/23	MATERIAL NO. SEE TABLE			
ANGULAR ± --- °		DRAFT WHERE APPLICABLE MUST REMAIN WITHIN DIMENSIONS		DOCUMENT NO. SD-53748-005		SHEET NO. 2 OF 5	
THIS DRAWING CONTAINS INFORMATION THAT IS PROPRIETARY TO MOLEX INCORPORATED AND SHOULD NOT BE USED WITHOUT WRITTEN PERMISSION							

10 9 8 7 6 5 4 3 2 1

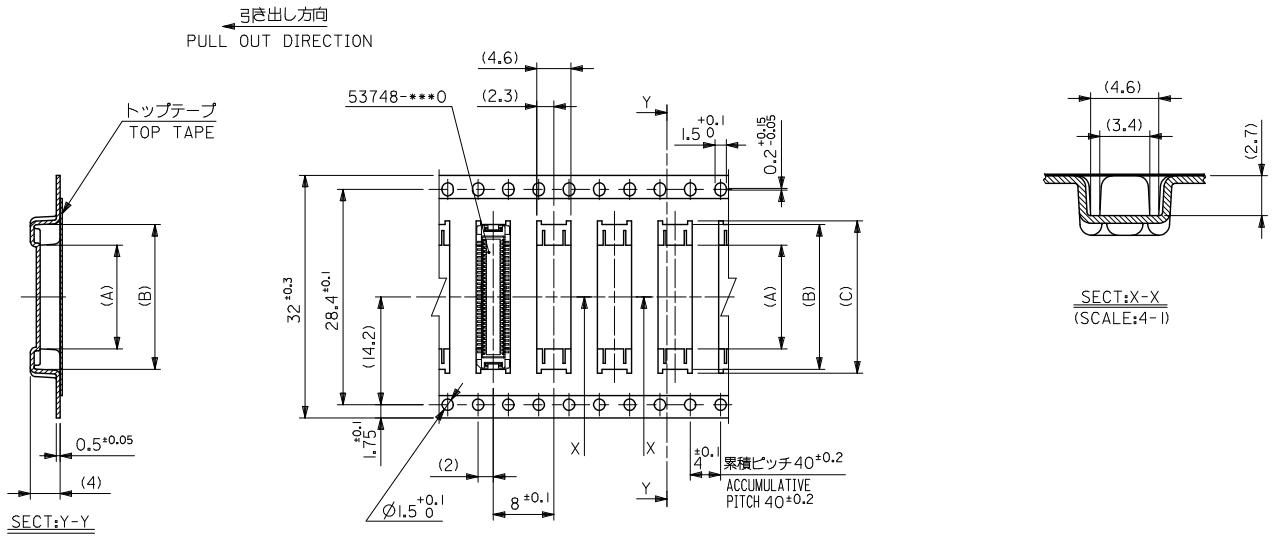


24mm幅キャリアテープ  
24mm WIDTH CARRIER TAPE

24	25.5	15.1	14.1	7.4	53748-0408	40
キャリアテープ幅 CARRIER TAPE WIDTH	D	(C)	(B)	(A)	MATERIAL NO.	極数 CKT.

REVISED IEC NO. J2009-0487 DRAWN BY: DR. WAKAMURA 2008/12/08 CHECKED BY: CHIKI-T. HARIYAMA 2008/12/08 APPROVED BY: APPR. NUKITA 2009/01/09 REV. D	GENERAL TOLERANCES (UNLESS SPECIFIED)		DIMENSION STYLE	SCALE	DESIGN UNITS	MODEL NO.
	10 UNDER	±---	MM ONLY	---	METRIC	53748-***8
	10 OVER 30 UNDER	±---				
	30 OVER	±---				
	ANGULAR	±---°				
DRAFT WHERE APPLICABLE MUST REMAIN WITHIN DIMENSIONS						
			DRAWN BY: S. AIHARA DATE: '96/4/1	TITLE: 0.5 BTB CONN PLUG(W/O BOSS W/O NAIL/EMBSTP PKG)		
			CHECKED BY: T. ITO DATE: '01/11/23	MOLEX INCORPORATED		
			APPROVED BY: M. FUKUSHIMA DATE: '01/11/23	SD-53748-005		
			MATERIAL NO.	DOCUMENT NO.	SHEET NO. 3 OF 5	
			SIZE: A3	THIS DRAWING CONTAINS INFORMATION THAT IS PROPRIETARY TO MOLEX INCORPORATED AND SHOULD NOT BE USED WITHOUT WRITTEN PERMISSION		

10 9 8 7 6 5 4 3 2 1

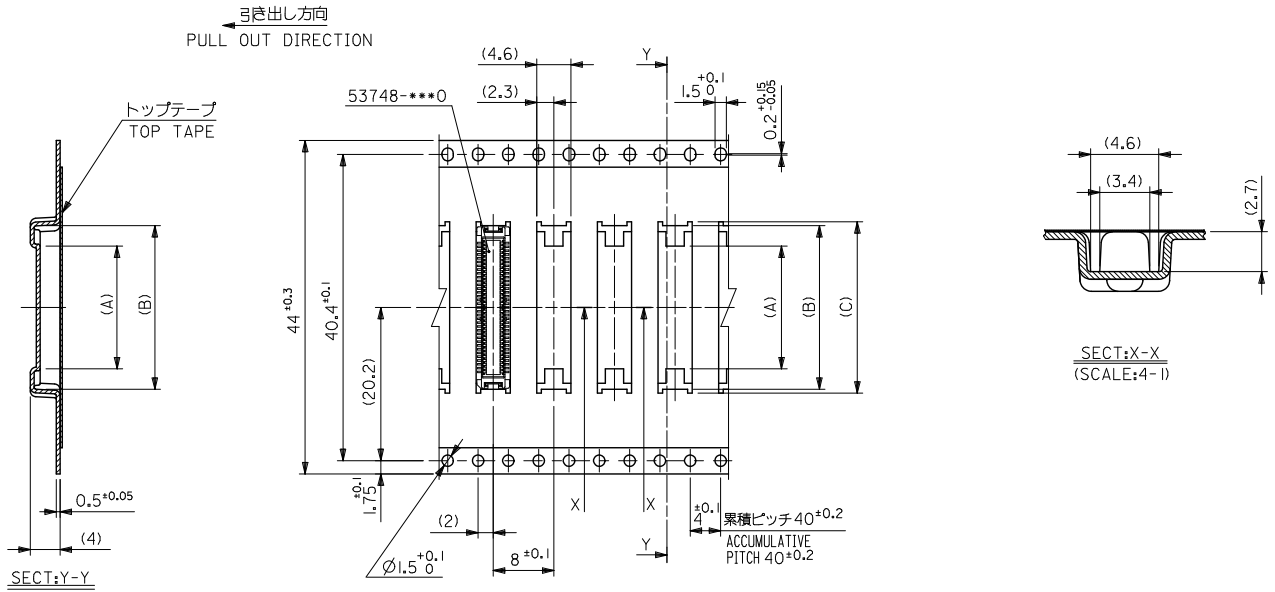


32mm幅キャリアテープ  
32mm WIDTH CARRIER TAPE

32	33.5	20.1	19.1	13.7	53748-0608	60
キャリアテープ幅 CARRIER TAPE WIDTH	D	(C)	(B)	(A)	MATERIAL NO.	極数 CKT.

REVISED EC NO. J2009-0487 DRAWN BY DRYANAKAMURA 2008/12/08 CHKD-T. HARIYAMA 2008/12/08 APPR-NUKITA 2009/01/09	GENERAL TOLERANCES (UNLESS SPECIFIED)		DIMENSION STYLE MM ONLY	SCALE ---	DESIGN UNITS METRIC	MODEL NO. 53748-***8	THIRD ANGLE PROJECTION
	10 UNDER	±---	DRAWN BY S. AIHARA	DATE '95/11/13	TITLE 0.5 BTB CONN PLUG (W/O BOSS W/O NAIL/ENBSTP PKG)		
	10 OVER 30 UNDER	±---	CHECKED BY T. ITO	DATE '01/11/23	APPROVED BY M. FUKUSHIMA		
	30 OVER	±---	DATE '01/11/23	MATERIAL NO. SEE TABLE			
ANGULAR	±--- °	DRAFT WHERE APPLICABLE MUST REMAIN WITHIN DIMENSIONS		DOCUMENT NO. SD-53748-005		SHEET NO. 4 OF 5	
SIZE A3		THIS DRAWING CONTAINS INFORMATION THAT IS PROPRIETARY TO MOLEX INCORPORATED AND SHOULD NOT BE USED WITHOUT WRITTEN PERMISSION					

10 9 8 7 6 5 4 3 2 1



44mm幅キャリアテープ  
44mm WIDTH CARRIER TAPE

44	45.5	25.1	24.1	18.7	53748-0808	80
キャリアテープ幅 CARRIER TAPE WIDTH	D	(C)	(B)	(A)	MATERIAL NO.	種数 CKT.
					MODEL NO.	53748-***8

REVISED EC NO. J2009-0487 DRAWN BY DR. NAKAMURA 2008/12/08 CHKD. T. HARIYAMA 2008/12/08 APPR. N. KITTA 2009/01/09	GENERAL TOLERANCES (UNLESS SPECIFIED)		DIMENSION STYLE MM ONLY	SCALE ---	DESIGN UNITS METRIC	THIRD ANGLE PROJECTION
	10 UNDER	±---	DRAWN BY T. YASUI	DATE '96/4/16	TITLE 0.5 BTB CONN PLUG(W/O BOSS W/O NAIL/EMBSTP PKG	
	10 OVER 30 UNDER	±---	CHECKED BY T. ITO	DATE '01/11/23	MOLEX INCORPORATED	
	30 OVER	±---	APPROVED BY M. FUKUSHIMA	DATE '01/11/23	DOCUMENT NO. SD-53748-005	SHEET NO. 5 OF 5
REV D	ANGULAR ±--- °		MATERIAL NO.	SEE TABLE		
DRAFT WHERE APPLICABLE MUST REMAIN WITHIN DIMENSIONS		THIS DRAWING CONTAINS INFORMATION THAT IS PROPRIETARY TO MOLEX INCORPORATED AND SHOULD NOT BE USED WITHOUT WRITTEN PERMISSION				