

Excellent Integrated System Limited

Stocking Distributor

Click to view price, real time Inventory, Delivery & Lifecycle Information:

[Intersil](#)
[CD22M3494MQZ](#)

For any questions, you can email us directly:
sales@integrated-circuit.com

16 x 8 x 1 BiMOS-E Crosspoint Switch

The Intersil CD22M3494 is an array of 128 analog switches capable of handling signals from DC to video. Because of the switch structure, input signals may swing through the total supply voltage range, V_{DD} to V_{EE} . Each of the 128 switches may be addressed via the ADDRESS input to the 7 to 128 line decoder. The state of the addressed switch is established by the signal to the DATA input. A low or zero input will open the switch, while a high logic level or a one will result in closure of the addressed switch when the STROBE input goes high from its normally low state. Any number or combination of connections may be active at one time. Each connection, however, must be made or broken individually in the manner previously described. All switches may be reset by taking the RESET input from a zero state to a one state and then returning it to its normal low state.

CS allows crosspoint array to be cascaded for matrix expansion.

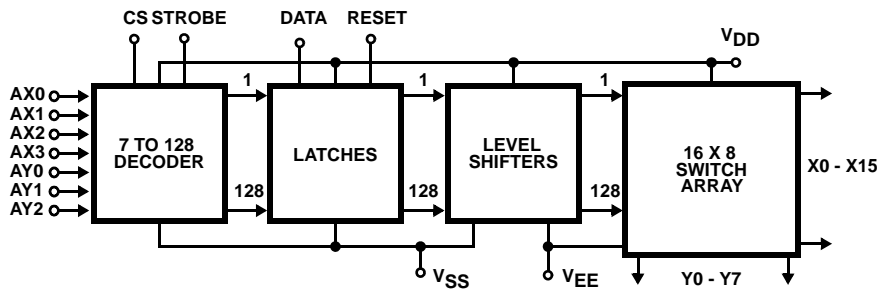
Features

- 128 Analog Switches
- Low r_{ON}
- Guaranteed r_{ON} Matching
- Analog Signal Input Voltage Equal to the Supply Voltage
- Wide Operating Voltage 4V to 15V
- Parallel Input Addressing
- High Latch-Up Current 50mA (Min)
- Very Low Crosstalk
- Pin and Functionally Compatible with the Following Types: SGS M3494 and Mitel MT8816
- Pb-Free (RoHS Compliant)

Applications

- PBX Systems
- Instrumentation
- Analog and Digital Multiplexers
- Video Switching Networks

Block Diagram



CD22M3494

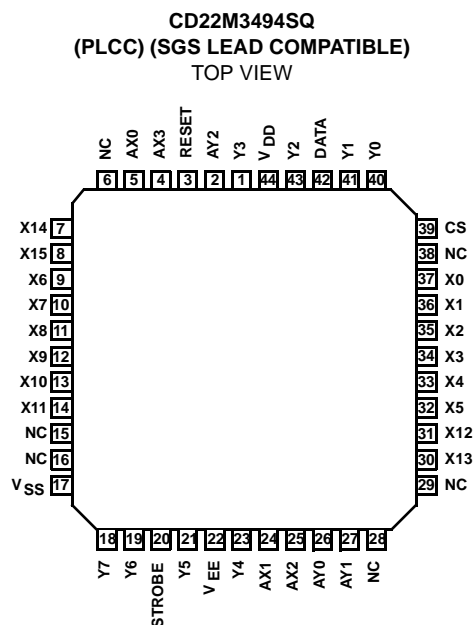
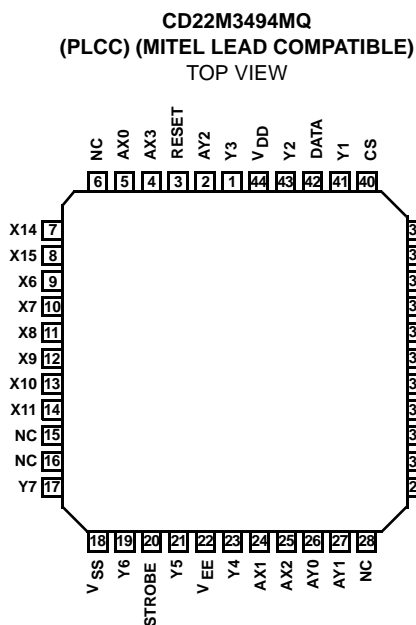
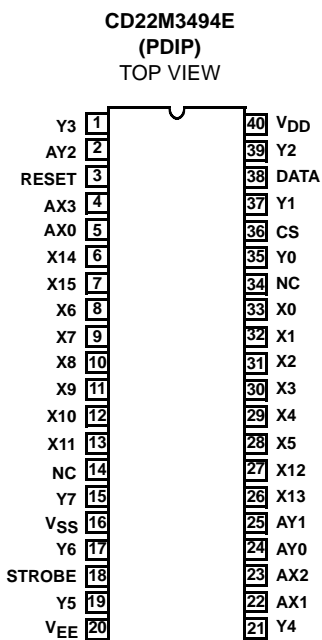
Ordering Information

PART NUMBER (Note 3)	PART MARKING	TEMP. RANGE (°C)	PACKAGE (Pb-Free)	PKG. DWG. #
CD22M3494EZ	CD22M3494EZ	-40 to 85	40 Ld PDIP (Note 2)	E40.6
CD22M3494MQZ (Note 1)	CD22M3494MQZ	-40 to 85	44 Ld PLCC (Mitel Ld Compatible)	N44.65
CD22M3494MQAZ (Note 1)	CD22M3494MQAZ	-40 to 85	44 Ld PLCC (Mitel Ld Compatible)	N44.65
CD22M3494SQZ (Note 1)	CD22M3494SQZ	-40 to 85	44 Ld PLCC (SGS Ld Compatible)	N44.65

NOTES:

1. Add "96" suffix for tape and reel. At one time the "QZ" and "QAZ" were different products, but since 1994 these parts have been **exactly** the same.
2. Pb-free PDIPs can be used for through-hole wave solder processing only. They are not intended for use in Reflow solder processing applications.
3. Intersil Pb-free plus anneal products employ special Pb-free material sets; molding compounds/die attach materials and 100% matte tin plate termination finish, which are RoHS compliant and compatible with both SnPb and Pb-free soldering operations. Intersil Pb-free products are MSL classified at Pb-free peak reflow temperatures that meet or exceed the Pb-free requirements of IPC/JEDEC J STD-020.

Pinouts



CD22M3494

Pin Descriptions

SYMBOL	40 LD PDIP PIN NO.	44 LD PLCC PIN NO.		DESCRIPTION
		MQ	SQ	
POWER SUPPLIES				
V _{DD}	40	44	44	Positive Supply.
V _{SS}	16	18	17	Negative Supply (Digital).
V _{EE}	20	22	22	Negative Supply (Analog).
ADDRESS				
AX0 - AX3	5, 22, 23 and 4	5, 24, 25 and 4		X Address Lines. These pins select one of the 16 rows of switches. See the Truth Table on page 7 for the valid addresses.
AY0 - AY2	24, 25 and 2	26, 27 and 2		Y Address Lines. These pins select one of the 8 columns of switches. See the Truth Table on page 7 for the valid addresses.
CONTROL				
DATA	38	42		DATA Input determines the state of the addressed switch. A high or one will close the switch. A low or zero will open the switch.
STROBE	18	20		STROBE Input enables the action defined by the DATA and ADDRESS Inputs. A low or zero results in no action. The ADDRESS Input must be stable before the STROBE Input goes to the active high level. The DATA Input must be stable on the falling edge of the STROBE.
RESET	3	3		MASTER RESET. A high or one on this line opens all switches.
CS	36	40	39	CHIP SELECT. Device is selected when CS is at a high level, allows the crosspoint array to be cascaded for matrix expansion.
INPUTS/OUTPUTS				
X0 - X5 X6 - X11 X12 - X15	33-28, 8-13, 27, 26, 6, 7	37-32, 9-14, 31, 30, 7, 8		Analog or Digital Inputs/Outputs. These pins are the rows X0 - X15.
Y0 - Y7 I/O	35, 37, 39, 1, 21, 19, 17, 15	39, 41, 43, 1, 23, 21, 19, 17	40, 41, 43, 1, 23, 21, 19, 18	Analog or Digital Inputs/Outputs. These pins are the columns Y0 - Y7.

CD22M3494

Absolute Maximum Ratings

DC Supply Voltage (V_{DD})	
Voltages Referenced to V_{EE}	-0.5V to 16V
DC Supply Voltage (V_{DD})	
Voltages Referenced to V_{SS}	-0.5V to 16V
DC Input Diode Current, I_{IN}	
For V_I , Digital < V_{SS} -0.5V or V_I ,	
Analog < V_{EE} -0.5V or $V_I > V_{DD}$ 0.5V	± 20 mA
DC Output Diode Current, I_{OK}	
For V_O , Digital < V_{SS} -0.5V or V_O ,	
Analog < V_{EE} -0.5V or $V_O > V_{DD}$ 0.5V	± 20 mA
DC Transmission Gate Current	± 25 mA
Power Dissipation Per Package (P_o)	
For $T_A = -40^\circ\text{C}$ to $+85^\circ\text{C}$ (PDIP)500mW
For $T_A = -40^\circ\text{C}$ to $+85^\circ\text{C}$ (PLCC)600mW

Thermal Information

Thermal Resistance (Typical, Note 4)	θ_{JA} ($^\circ\text{C}/\text{W}$)
PDIP Package*	55
PLCC Package	43
Maximum Junction Temperature Plastic Package	$+150^\circ\text{C}$
Maximum Storage Temperature Range (T_{STG})	-65°C to $+150^\circ\text{C}$
Pb-Free Reflow Profile	see TB493

*Pb-free PDIPs can be used for through hole wave solder processing only. They are not intended for use in Reflow solder processing applications.

Operating Conditions

Operating Temperature Range (T_A)	
Package Type E and Q	-40°C to $+85^\circ\text{C}$
Supply Voltage Range	
For $T_A =$ Full Package Temperature Range	
$V_{SS} = 0\text{V}$, $V_{EE} = 0\text{V}$, V_{DD}	4V to 15V
DC Input or Output Voltage V_I or V_O	V_{EE} to V_{DD}
Digital Input Voltage	V_{SS} to V_{DD}

CAUTION: Stresses above those listed in "Absolute Maximum Ratings" may cause permanent damage to the device. This is a stress only rating and operation of the device at these or any other conditions above those indicated in the operational sections of this specification is not implied.

NOTE:

- θ_{JA} is measured with the component mounted on an evaluation PC board in free air.

Electrical Specifications $T_A = -40^\circ\text{C}$ to $+85^\circ\text{C}$, $V_{DD} = 5\text{V}$, $V_{SS} = 0\text{V}$, $V_{EE} = 0\text{V}$, Unless Otherwise Specified

PARAMETER	SYMBOL	TEST CONDITIONS	MIN	TYP	MAX	UNITS
STATIC CONTROLS						
Supply Current	I_{DD}	$V_{DD} = 5\text{V}$, Logic Inputs = V_{DD}	-	-	2	mA
		$V_{DD} = 15\text{V}$, Logic Inputs = V_{DD}	-	-	5	mA
High-Level Input Voltage	V_{IH}	$V_{DD} = 5\text{V}$	2.4 (Note 5)	-	-	V
Low-Level Input Voltage	V_{IL}		-	-	0.8 (Note 5)	V
Input Leakage Current, Digital	I_{IN}	Reset = Low (Note 6)	-	-	± 10 (Note 7)	μA

Electrical Specifications $T_A = -40^\circ\text{C}$ to $+85^\circ\text{C}$, $V_{DD} = 12\text{V}$, $V_{SS} = 0\text{V}$, $V_{EE} = 0\text{V}$, Unless Otherwise Specified.

PARAMETER	SYMBOL	TEST CONDITIONS	MIN	TYP	MAX	UNITS	
STATIC CROSSPOINTS							
ON Resistance	r_{ON}	$V_{SS} = V_{EE} = 0\text{V}$, $T_A = +25^\circ\text{C}$, $V_{IN} = V_{DD}/2$, $V_X - V_Y = 0.2\text{V}$	$V_{DD} = 10\text{V}$	-	40	75	Ω
			$V_{DD} = 12\text{V}$	-	36	65	Ω
ON Resistance	r_{ON}	$T_A = -40^\circ\text{C}$ to $+85^\circ\text{C}$, $V_{IN} = V_{DD}/2$, $V_X - V_Y = 0.2\text{V}$, $V_{SS} = V_{EE} = 0\text{V}$	$V_{DD} = 10\text{V}$	-	50	75	Ω
			$V_{DD} = 12\text{V}$	-	45	65	Ω
Difference in ON Resistance Between Any Two Switches	Δr_{ON}	$T_A = +25^\circ\text{C}$, $V_{IN} = V_{DD}/2$, $V_X - V_Y = 0.2\text{V}$, $V_{SS} = V_{EE} = 0\text{V}$, $V_{DD} = 12\text{V}$	-	6	10	Ω	

CD22M3494

Electrical Specifications $T_A = -40^\circ\text{C}$ to $+85^\circ\text{C}$, $V_{DD} = 12\text{V}$, $V_{SS} = 0\text{V}$, $V_{EE} = 0\text{V}$, Unless Otherwise Specified. **(Continued)**

PARAMETER	SYMBOL	TEST CONDITIONS	MIN	TYP	MAX	UNITS
Difference in ON Resistance Between Any Two Switches	Δr_{ON}	$T_A = -40^\circ\text{C}$ to $+85^\circ\text{C}$, $V_{IN} = V_{DD}/2$, $V_X - V_Y = 0.2\text{V}$, $V_{DD} = 12\text{V}$ $V_{SS} = V_{EE} = 0\text{V}$, $V_{DD} = 12\text{V}$	-	-	10	Ω
OFF-State Leakage Current	I_L	$ V_X - V_Y = 12\text{V}$	-	-	± 10 (Note 7)	μA

Electrical Specifications $T_A = +25^\circ\text{C}$, $V_{SS} = 0\text{V}$, $V_{EE} = 0\text{V}$, $V_{DD} = 14\text{V}$, $C_L = 50\text{pF}$, Unless Otherwise Specified.

PARAMETER	TEST CONDITIONS		MIN	TYP	MAX	UNITS
DYNAMIC CROSSPOINTS						
Switch I/O Capacitance	$V_{IN} = V_{DD}/2$, $f = 1\text{MHz}$		-	-	20	pF
Switch Feedthrough Capacitance	$V_{IN} = V_{DD}/2$, $f = 1\text{MHz}$		-	0.3	-	pF
Propagation Delay Time (Switch ON) Signal Input to Output, t_{PHL} or t_{PLH}			-	5	30	ns
Frequency Response Channel ON $f = 20\log(V_X/V_Y) = -3\text{dB}$	$C_L = 3\text{pF}$, $R_L = 75\Omega$, $V_{IN} = 2V_{P-P}$		-	50	-	MHz
Total Harmonic, THD	$V_{IN} = 2V_{P-P}$, $f = 1\text{kHz}$		-	0.01	-	%
Feedthrough Channel OFF Feedthrough = $20\log(V_X/V_Y) = F_{DT}$	$V_{IN} = 2V_{P-P}$, $f = 1\text{kHz}$		-	-95	-	dB
Frequency for Signal Crosstalk, f_{CT} Attenuation of:	40dB	$V_{IN} = 2V_{P-P}$, $R_L = 75\Omega$	-	10	-	MHz
	110dB	$V_{IN} = 2V_{P-P}$, $R_L = 1\text{k}\Omega \parallel 10\text{pF}$	-	5	-	kHz
Control Crosstalk DATA-Input, ADDRESS, or STROBE to Output	Control Input = $3V_{P-P}$ Square Wave, $t_R = t_F = 10\text{ns}$ $R_{IN} = 1\text{K}$, $R_{OUT} = 10\text{k}\Omega \parallel 10\text{pF}$		-	75	-	mV_{PEAK}

Electrical Specifications $T_A = +25^\circ\text{C}$, $V_{SS} = 0\text{V}$, $V_{EE} = 0\text{V}$, $V_{DD} = 14\text{V}$, $R_L = 1\text{k}\Omega \parallel 50\text{pF}$, Unless Otherwise Specified.

PARAMETER	SYMBOL	TEST CONDITIONS	MIN	TYP	MAX	UNITS
DYNAMIC CONTROLS						
Digital Input Capacitance	C_{IN}	$V_{IN} = 5\text{V}$, $f = 1\text{MHz}$	-	5	-	pF
Propagation Delay Time STROBE to Output						
Switch Turn-ON	t_{PSN}		-	50	100	ns
Switch Turn-OFF	t_{PSF}		-	50	100	ns
DATA-IN to Output						
Turn-ON to High Level	t_{PZH}		-	60	100	ns
Turn-ON to Low Level	t_{PZL}		-	70	100	ns
ADDRESS to Output						
Turn-ON to High Level	t_{PAN}		-	70	-	ns
Turn-OFF to Low Level	t_{PAF}		-	70	-	ns

CD22M3494

Electrical Specifications $T_A = +25^\circ\text{C}$, $V_{SS} = 0\text{V}$, $V_{EE} = 0\text{V}$, $V_{DD} = 14\text{V}$, $R_L = 1\text{k}\Omega \parallel 50\text{pF}$, Unless Otherwise Specified. **(Continued)**

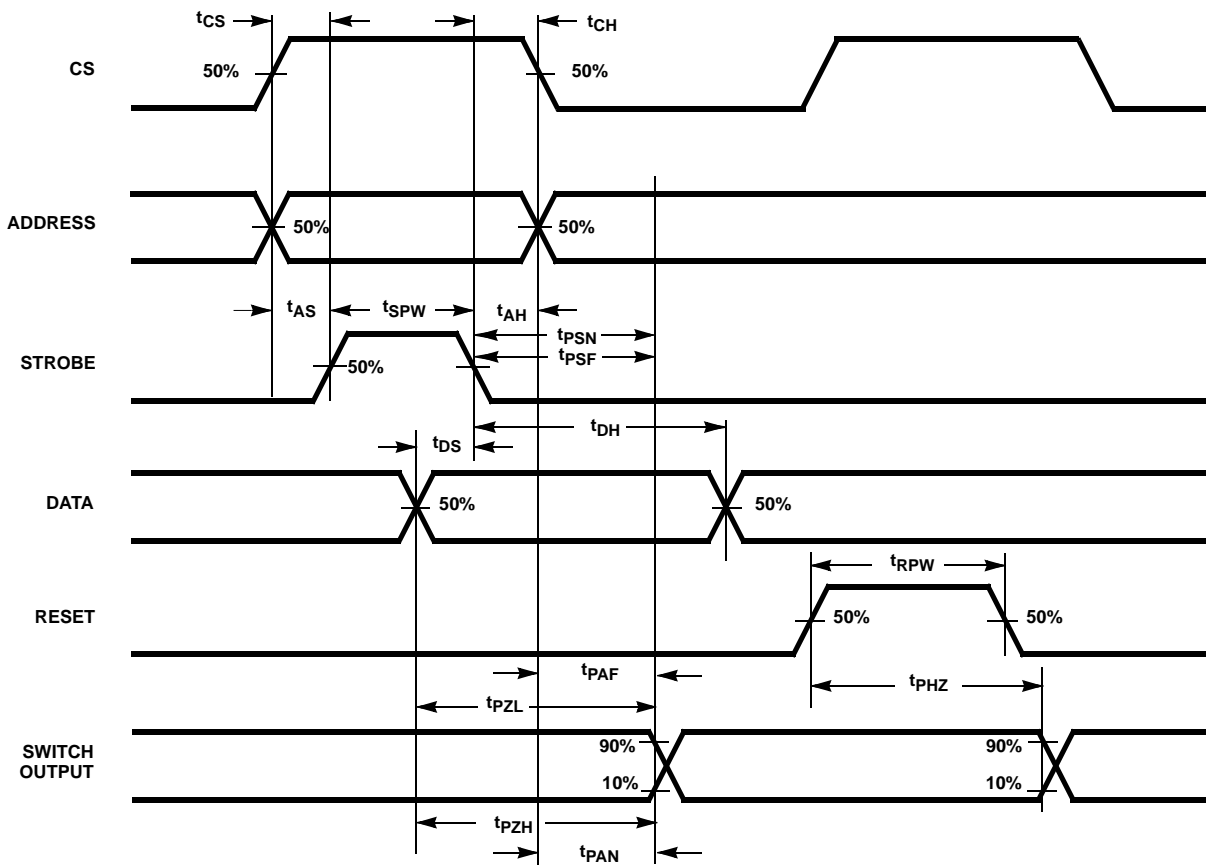
PARAMETER	SYMBOL	TEST CONDITIONS	MIN	TYP	MAX	UNITS
Setup Time						
CS to STROBE	t_{CS}		10	-	-	ns
DATA-IN to STROBE	t_{DS}		10	-	-	ns
ADDRESS to STROBE	t_{AS}		10	-	-	ns
Hold Time						
STROBE to CS	t_{CH}		10	-	-	ns
ADDRESS to CS			10	-	-	ns
STROBE to DATA-IN	t_{DH}		20	-	-	ns
STROBE to ADDRESS	t_{AH}		10	-	-	ns
DATA-IN to CS			20	-	-	ns
Pulse Width						
STROBE	t_{SPW}		20	-	-	ns
RESET	t_{RPW}		20	-	-	ns
RESET Turn-OFF to Output Delay	t_{PHZ}		-	70	100	ns

NOTES:

5. Operation of V_{IH} at 2.4V or V_{IL} at 0.8V will result in much higher supply current (I_{DD}) than for logic inputs equal to V_{DD} or V_{SS} respectively.
6. Reset $I_{IH} < 20\mu\text{A}$, Reset = V_{IH} .
7. At $+25^\circ\text{C}$ Limit is $\pm 100\text{nA}$.

CD22M3494

Timing Diagram



TRUTH TABLE X AXIS

X ADDRESS				X SWITCH
AX3	AX2	AX1	AX0	
0	0	0	0	X0
0	0	0	1	X1
0	0	1	0	X2
0	0	1	1	X3
0	1	0	0	X4
0	1	0	1	X5
0	1	1	0	X12
0	1	1	1	X13
1	0	0	0	X6
1	0	0	1	X7
1	0	1	0	X8
1	0	1	1	X9
1	1	0	0	X10
1	1	0	1	X11
1	1	1	0	X14
1	1	1	1	X15

TRUTH TABLE Y AXIS

Y ADDRESS			Y SWITCH
AY2	AY1	AY0	
0	0	0	Y0
0	0	1	Y1
0	1	0	Y2
0	1	1	Y3
1	0	0	Y4
1	0	1	Y5
1	1	0	Y6
1	1	1	Y7

CD22M3494

To make a connection (close switch) between any two points, specify an "X" address, a "Y" address, set "DATA" high, and switch "STROBE" from low to high. To break a connection, follow this same procedure with "DATA" low.

Example:

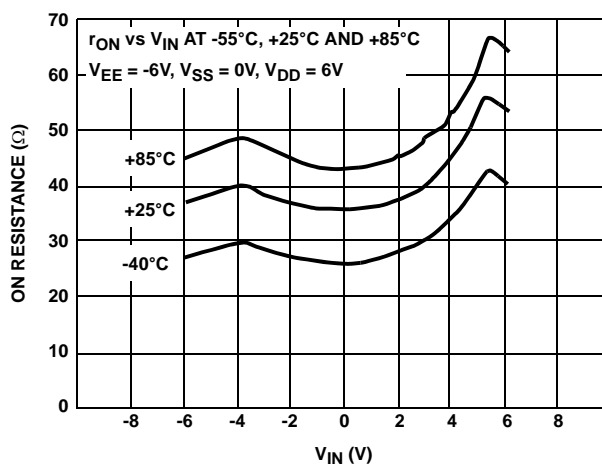
To connect switch X3 to switch Y4:

To connect switch X6 to switch Y7:

To break connection from X3 to Y4:

DATA	X ADDRESS				Y ADDRESS		
	AX3	AX2	AX1	AX0	AY2	AY1	AY0
1	0	0	1	1	1	0	0
1	1	0	0	0	1	1	1
0	0	0	1	1	1	0	0

Typical Performance Curve



For additional products, see www.intersil.com/en/products.html

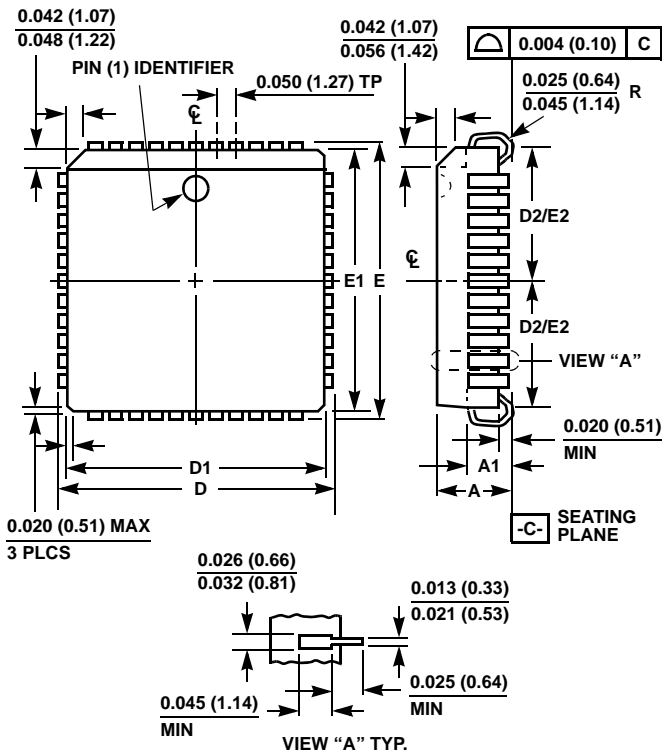
Intersil products are manufactured, assembled and tested utilizing ISO9001 quality systems as noted in the quality certifications found at www.intersil.com/en/support/qualandreliability.html

Intersil products are sold by description only. Intersil Corporation reserves the right to make changes in circuit design, software and/or specifications at any time without notice. Accordingly, the reader is cautioned to verify that data sheets are current before placing orders. Information furnished by Intersil is believed to be accurate and reliable. However, no responsibility is assumed by Intersil or its subsidiaries for its use; nor for any infringements of patents or other rights of third parties which may result from its use. No license is granted by implication or otherwise under any patent or patent rights of Intersil or its subsidiaries.

For information regarding Intersil Corporation and its products, see www.intersil.com

CD22M3494

Plastic Leaded Chip Carrier Packages (PLCC)



N44.65 (JEDEC MS-018AC ISSUE A) 44 LEAD PLASTIC LEADED CHIP CARRIER PACKAGE

SYMBOL	INCHES		MILLIMETERS		NOTES
	MIN	MAX	MIN	MAX	
A	0.165	0.180	4.20	4.57	-
A1	0.090	0.120	2.29	3.04	-
D	0.685	0.695	17.40	17.65	-
D1	0.650	0.656	16.51	16.66	3
D2	0.291	0.319	7.40	8.10	4, 5
E	0.685	0.695	17.40	17.65	-
E1	0.650	0.656	16.51	16.66	3
E2	0.291	0.319	7.40	8.10	4, 5
N	44		44		6

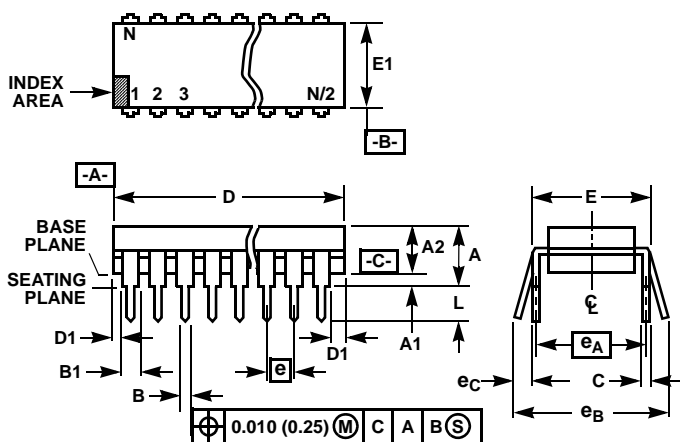
Rev. 2 11/97

NOTES:

- Controlling dimension: INCH. Converted millimeter dimensions are not necessarily exact.
- Dimensions and tolerancing per ANSI Y14.5M-1982.
- Dimensions D1 and E1 do not include mold protrusions. Allowable mold protrusion is 0.010 inch (0.25mm) per side. Dimensions D1 and E1 include mold mismatch and are measured at the extreme material condition at the body parting line.
- To be measured at seating plane -C- contact point.
- Centerline to be determined where center leads exit plastic body.
- "N" is the number of terminal positions.

CD22M3494

Dual-In-Line Plastic Packages (PDIP)



NOTES:

1. Controlling Dimensions: INCH. In case of conflict between English and Metric dimensions, the inch dimensions control.
2. Dimensioning and tolerancing per ANSI Y14.5M-1982.
3. Symbols are defined in the "MO Series Symbol List" in Section 2.2 of Publication No. 95.
4. Dimensions A, A1 and L are measured with the package seated in JEDEC seating plane gauge GS-3.
5. D, D1, and E1 dimensions do not include mold flash or protrusions. Mold flash or protrusions shall not exceed 0.010 inch (0.25mm).
6. E and e_A are measured with the leads constrained to be perpendicular to datum $-C-$.
7. e_B and e_C are measured at the lead tips with the leads unconstrained. e_C must be zero or greater.
8. B1 maximum dimensions do not include dambar protrusions. Dambar protrusions shall not exceed 0.010 inch (0.25mm).
9. N is the maximum number of terminal positions.
10. Corner leads (1, N, N/2 and N/2 + 1) for E8.3, E16.3, E18.3, E28.3, E42.6 will have a B1 dimension of 0.030 - 0.045 inch (0.76 - 1.14mm).

**E40.6 (JEDEC MS-011-AC ISSUE B)
40 LEAD DUAL-IN-LINE PLASTIC PACKAGE**

SYMBOL	INCHES		MILLIMETERS		NOTES
	MIN	MAX	MIN	MAX	
A	-	0.250	-	6.35	4
A1	0.015	-	0.39	-	4
A2	0.125	0.195	3.18	4.95	-
B	0.014	0.022	0.356	0.558	-
B1	0.030	0.070	0.77	1.77	8
C	0.008	0.015	0.204	0.381	-
D	1.980	2.095	50.3	53.2	5
D1	0.005	-	0.13	-	5
E	0.600	0.625	15.24	15.87	6
E1	0.485	0.580	12.32	14.73	5
e	0.100 BSC		2.54 BSC		-
e_A	0.600 BSC		15.24 BSC		6
e_B	-	0.700	-	17.78	7
L	0.115	0.200	2.93	5.08	4
N	40		40		9

Rev. 0 12/93