

Excellent Integrated System Limited

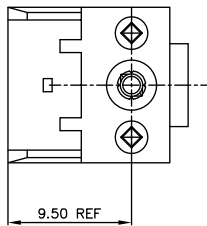
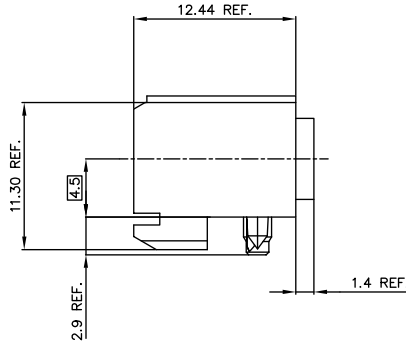
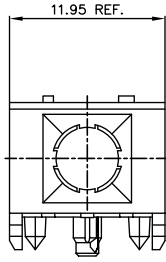
Stocking Distributor

Click to view price, real time Inventory, Delivery & Lifecycle Information:

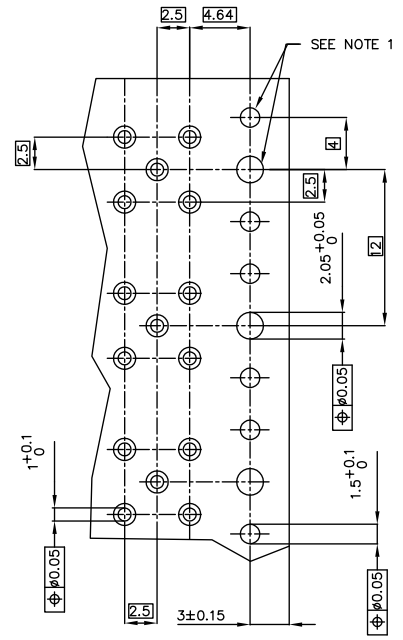
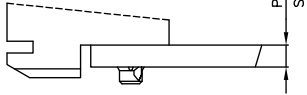
[FCI](#)
[89092-101LF](#)

For any questions, you can email us directly:
sales@integrated-circuit.com

PRODUCT #	PCB THICKNES
89092-101LF	1.6 & 2.4



PRODUCT AFTER PC BOARD APPLICATION.



RECOMMENDED HOLE PATTERN, COMPONENT SIDE.

NOTES:

- 1 INDICATED HOLES ARE UNPLATED.
- 2 MATERIAL: LIQUID CRYSTAL POLYMER 30% GLASS FLAME RETARDANT ACC. UL 94-V0 COLOR NATURAL.
- 5 THIS PRODUCT WITH "LF" SUFFIX MEETS EUROPEAN UNION DIRECTIVES AND OTHER COUNTRY REGULATIONS AS DESCRIBED IN GS -22-008.
- 6 THE HOUSING WILL WITHSTAND EXPOSURE TO 260 DEGREE PEAK TEMPERATURE FOR 20 SECONDS IN WAVE SOLDER APPLICATION WITH A 1.6 MM MINIMUM THICK CIRCUIT BOARD.

mat'l. code	tolerances unless otherwise specified	CUSTOMER COPY	FCI ELECTRONICS
SEE NOTE 2			www.Fciconnect.com
itr	ecm no	dr	date
A	H40395	DOB	940816
B	H50047	RVN	950119
C	H50479	DOB	950816
D	9005-0383	Clu	051011
E	9005-0406	Clu	051027
dr	H.Bouwmeester	eng	D.Andrews
931206	931206	950119	950119
scale	5:1		
sheet	revision	E	1
ind	sheet	1	

PDM: Rev E STATUS: Released

Printed: May 19, 2014