

## Excellent Integrated System Limited

Stocking Distributor

Click to view price, real time Inventory, Delivery & Lifecycle Information:

[STMicroelectronics](#)  
[ESM6045AV](#)

For any questions, you can email us directly:

[sales@integrated-circuit.com](mailto:sales@integrated-circuit.com)



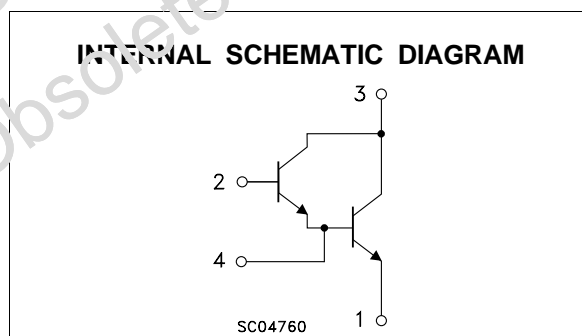
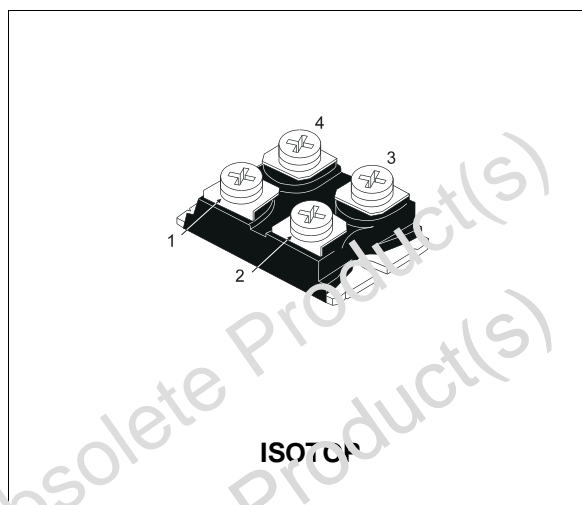
## ESM6045AV

### NPN DARLINGTON POWER MODULE

- HIGH CURRENT POWER BIPOLAR MODULE
- VERY LOW  $R_{th}$  JUNCTION CASE
- SPECIFIED ACCIDENTAL OVERLOAD AREAS
- FULLY INSULATED PACKAGE (UL COMPLIANT)
- EASY TO MOUNT
- LOW INTERNAL PARASITIC INDUCTANCE

#### INDUSTRIAL APPLICATIONS:

- MOTOR CONTROL
- SMPS & UPS
- WELDING EQUIPMENT



#### ABSOLUTE MAXIMUM RATINGS

Symbol	Parameter	Value	Unit
$V_{CEV}$	Collector-Emitter Voltage ( $V_{BE} = -5$ V)	1000	V
$V_{CE0(sus)}$	Collector-Emitter Voltage ( $I_B = 0$ )	450	V
$V_{EB0}$	Emitter-Base Voltage ( $I_C = 0$ )	7	V
$I_C$	Collector Current	72	A
$I_{CM}$	Collector Peak Current ( $t_p = 10$ ms)	108	A
$I_B$	Base Current	8	A
$I_{BM}$	Base Peak Current ( $t_p = 10$ ms)	16	A
$P_{tot}$	Total Dissipation at $T_c = 25$ °C	250	W
$V_{isol}$	Insulation Withstand Voltage (RMS) from All Four Terminals to External Heatsink	2500	V
$T_{stg}$	Storage Temperature	-55 to 150	°C
$T_j$	Max. Operating Junction Temperature	150	°C

## ESM6045AV

### THERMAL DATA

$R_{thj-case}$	Thermal Resistance Junction-case	Max	0.5	$^{\circ}\text{C}/\text{W}$
$R_{thc-h}$	Thermal Resistance Case-heatsink With Conductive Grease Applied	Max	0.05	$^{\circ}\text{C}/\text{W}$

### ELECTRICAL CHARACTERISTICS ( $T_{case} = 25^{\circ}\text{C}$ unless otherwise specified)

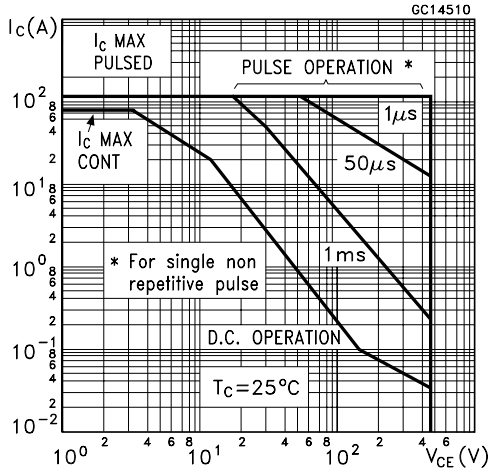
Symbol	Parameter	Test Conditions	Min.	Typ.	Max.	Unit
$I_{CER}$ #	Collector Cut-off Current ( $R_{BE} = 5 \Omega$ )	$V_{CE} = V_{CEV}$ $V_{CE} = V_{CEV}$ $T_j = 100^{\circ}\text{C}$			1.5 22	mA mA
$I_{CEV}$ #	Collector Cut-off Current ( $V_{BE} = -5$ )	$V_{CE} = V_{CEV}$ $V_{CE} = V_{CEV}$ $T_j = 100^{\circ}\text{C}$			1 15	mA mA
$I_{EBO}$ #	Emitter Cut-off Current ( $I_C = 0$ )	$V_{EB} = 5 \text{ V}$			1	mA
$V_{CEO(SUS)}^*$	Collector-Emitter Sustaining Voltage ( $I_B = 0$ )	$I_C = 0.2 \text{ A}$ $L = 25 \text{ mH}$ $V_{clamp} = 450 \text{ V}$	450			V
$h_{FE}^*$	DC Current Gain	$I_C = 60 \text{ A}$ $V_{CE} = 5 \text{ V}$		150		
$V_{CE(sat)}^*$	Collector-Emitter Saturation Voltage	$I_C = 50 \text{ A}$ $I_B = 1 \text{ A}$ $I_C = 50 \text{ A}$ $I_B = 1 \text{ A}$ $T_j = 100^{\circ}\text{C}$ $I_C = 60 \text{ A}$ $I_B = 2.4 \text{ A}$ $I_C = 60 \text{ A}$ $I_B = 2.4 \text{ A}$ $T_j = 100^{\circ}\text{C}$		1.2 1.6 1.3 1.55	2	V V V V
$V_{BE(sat)}^*$	Base-Emitter Saturation Voltage	$I_C = 60 \text{ A}$ $I_B = 2.4 \text{ A}$ $I_C = 60 \text{ A}$ $I_B = 2.4 \text{ A}$ $T_j = 100^{\circ}\text{C}$		2.1 2.15	3	V V
$di_C/dt$	Rate of Rise of On-state Collector	$V_{CC} = 300 \text{ V}$ $R_C = 0$ $t_p = 3 \mu\text{s}$ $I_{B1} = 3.6 \text{ A}$ $T_j = 100^{\circ}\text{C}$	450	500		A/ $\mu\text{s}$
$V_{CE(3 \mu\text{s})}^{\bullet\bullet}$	Collector-Emitter Dynamic Voltage	$V_{CC} = 300 \text{ V}$ $R_C = 5 \Omega$ $I_{B1} = 3.6 \text{ A}$ $T_j = 100^{\circ}\text{C}$		4	7	V
$V_{CE(5 \mu\text{s})}^{\bullet\bullet}$	Collector-Emitter Dynamic Voltage	$V_{CC} = 300 \text{ V}$ $R_C = 5 \Omega$ $I_{B1} = 3.6 \text{ A}$ $T_j = 100^{\circ}\text{C}$		2.5	4	V
$t_s$	Storage Time	$I_C = 60 \text{ A}$ $V_{CC} = 50 \text{ V}$		4.6	6	$\mu\text{s}$
$t_f$	Fall Time	$V_{BB} = -5 \text{ V}$ $R_{BB} = 0.3 \Omega$		0.4	0.6	$\mu\text{s}$
$t_c$	Cross-over Time	$V_{clamp} = 450 \text{ V}$ $I_{B1} = 2.4 \text{ A}$ $L = 0.04 \text{ mH}$ $T_j = 100^{\circ}\text{C}$		1.2	2	$\mu\text{s}$
$V_{CEW}$	Maximum Collector Emitter Voltage Without Snubber	$I_{C\text{Woff}} = 72 \text{ A}$ $I_{B1} = 2.4 \text{ A}$ $V_{BB} = -5 \text{ V}$ $V_{CC} = 50 \text{ V}$ $L = 35 \mu\text{H}$ $R_{BB} = 0.3 \Omega$ $T_j = 125^{\circ}\text{C}$	450			V

\* Pulsed: Pulse duration = 300  $\mu\text{s}$ , duty cycle 1.5 %

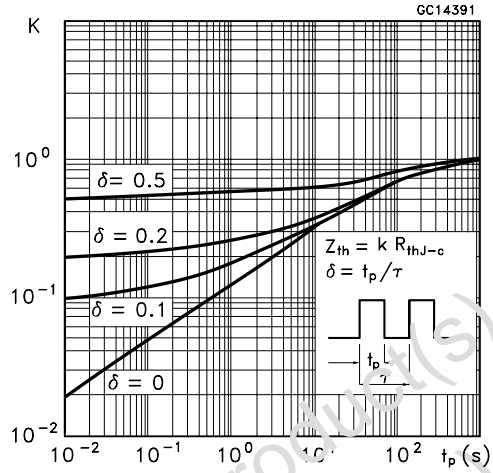
# See test circuits in databook introduction

**ESM6045AV**

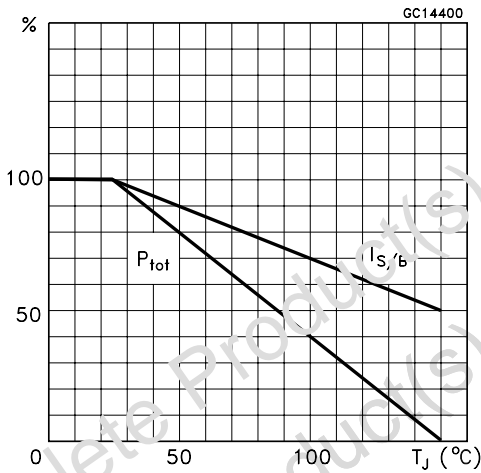
**Safe Operating Areas**



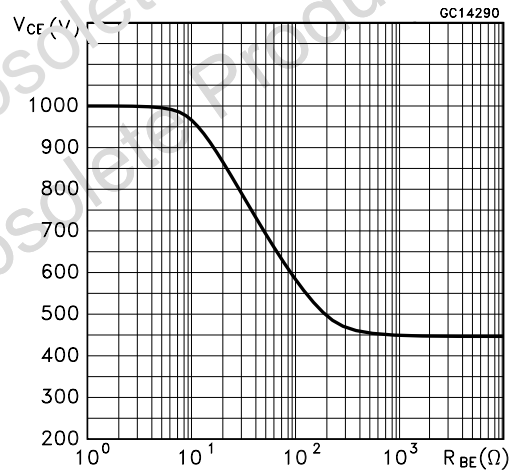
**Thermal Impedance**



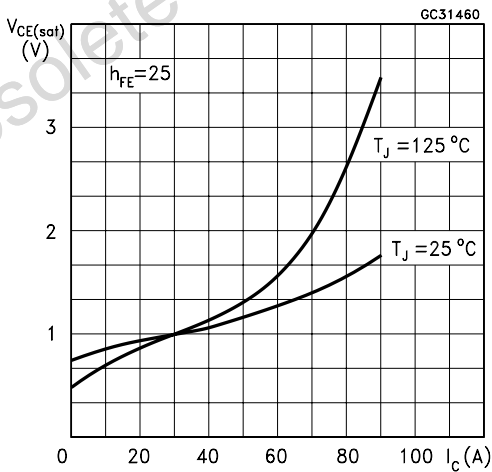
**Derating Curve**



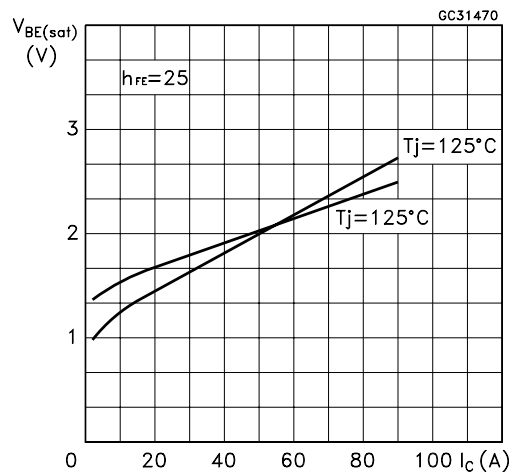
**Collector-emitter Voltage Versus base-emitter Resistance**



**Collector Emitter Saturation Voltage**

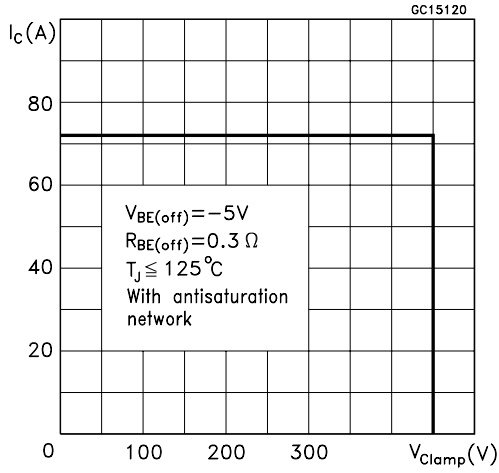


**Base-Emitter Saturation Voltage**

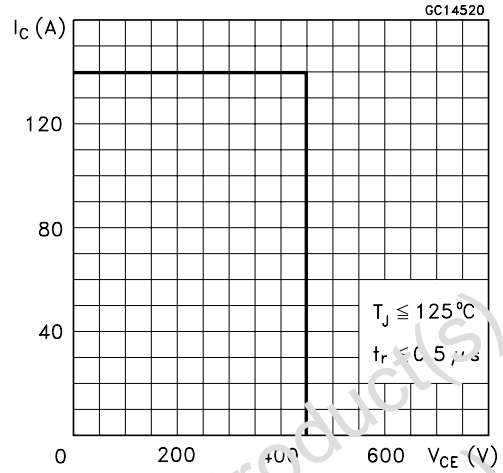


**ESM6045AV**

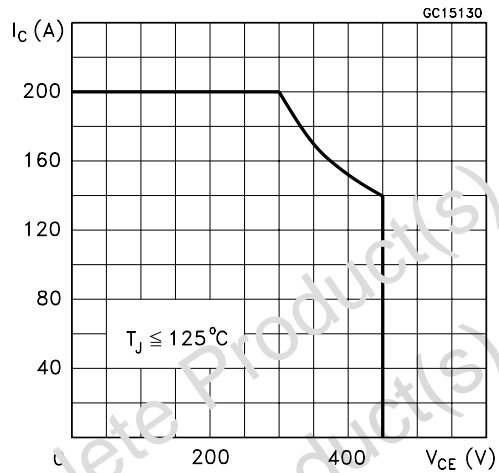
**Reverse Biased SOA**



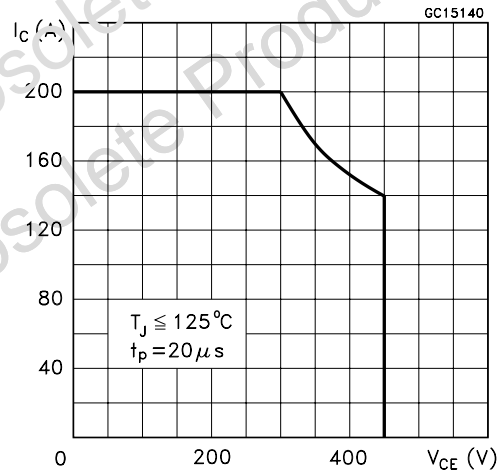
**Foward Biased SOA**



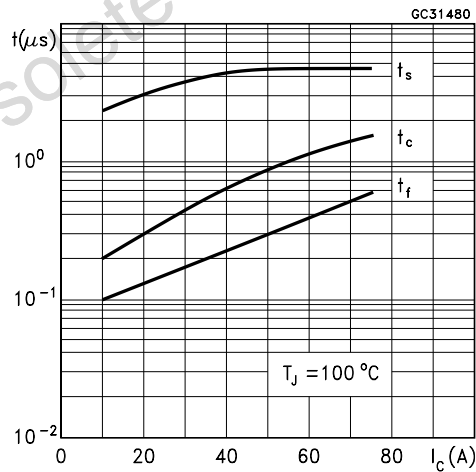
**Reverse Biased AOA**



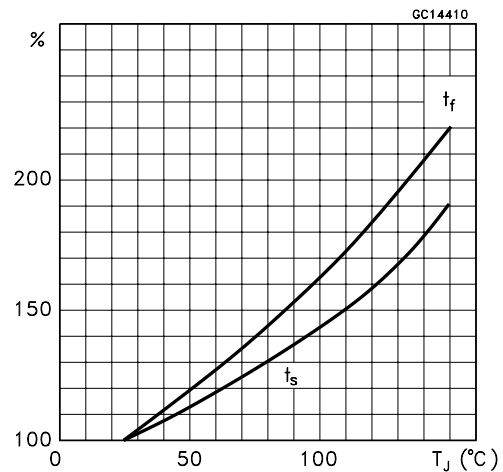
**Forward Biased AOA**



**Switching Times Inductive Load**

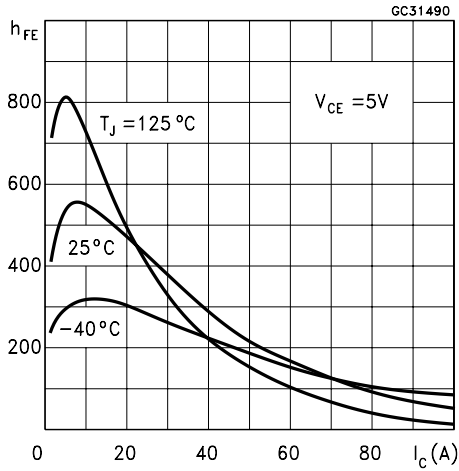


**Switching Times Inductive Load Versus Temperature**

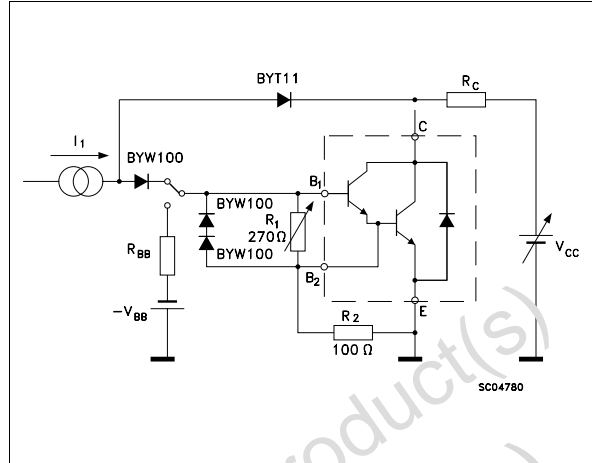


**ESM6045AV**

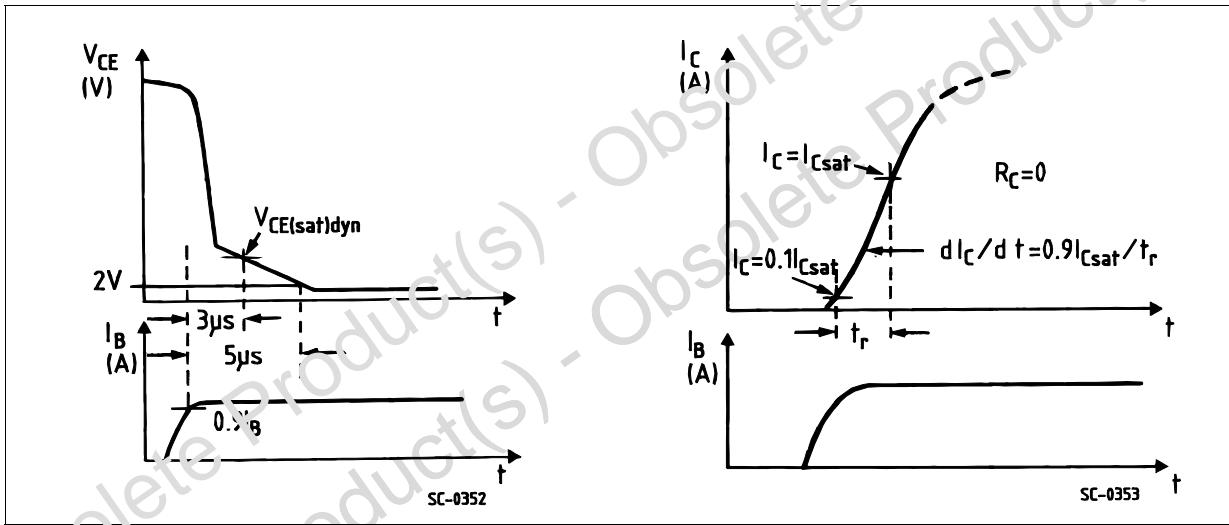
Dc Current Gain



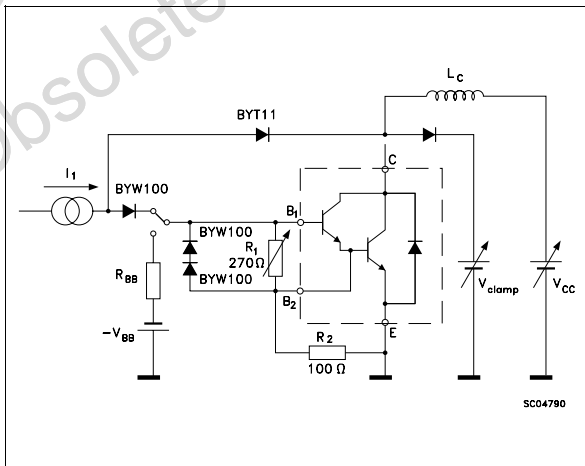
Turn-on Switching Test Circuit



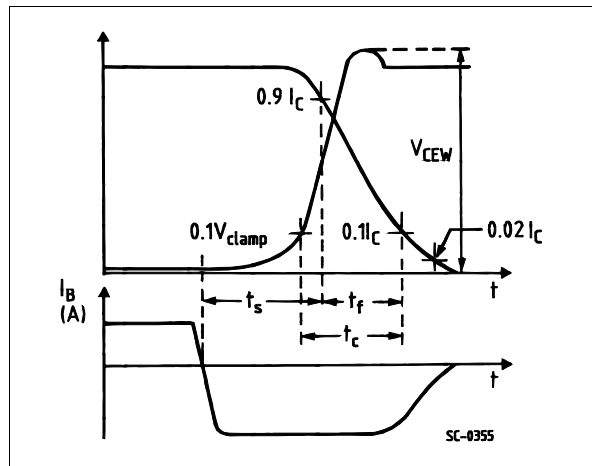
Turn-on Switching Waveforms



Turn-off Switching Test Circuit



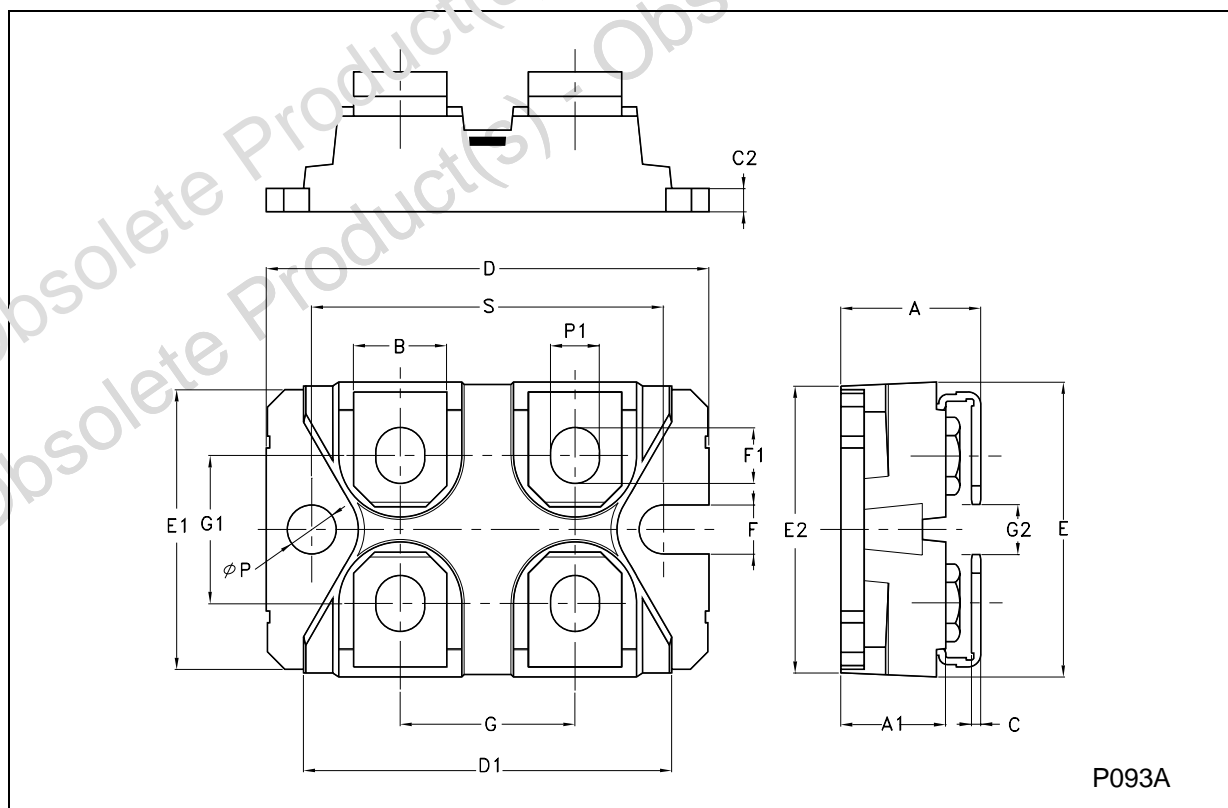
Turn-off Switching Waveforms



**ESM6045AV**

**ISOTOP MECHANICAL DATA**

DIM.	mm			inch		
	MIN.	TYP.	MAX.	MIN.	TYP.	MAX.
A	11.8		12.2	0.465		0.480
A1	8.9		9.1	0.350		0.358
B	7.8		8.2	0.307		0.322
C	0.75		0.85	0.029		0.033
C2	1.95		2.05	0.076		0.080
D	37.8		38.2	1.488		1.503
D1	31.5		31.7	1.240		1.248
E	25.15		25.5	0.990		1.003
E1	23.85		24.15	0.938		0.950
E2		24.8			0.976	
G	14.9		15.1	0.586		0.594
G1	12.6		12.8	0.496		0.503
G2	3.5		4.3	0.137		1.169
F	4.1		4.3	0.161		0.169
F1	4.6		5	0.181		0.196
P	4		4.3	0.157		0.169
P1	4		4.4	0.157		0.173
S	30.1		30.3	1.185		1.193



## ESM6045AV

---

Obsolete Product(s) - Obsolete Product(s)  
Obsolete Product(s) - Obsolete Product(s)

Information furnished is believed to be accurate and reliable. However, STMicroelectronics assumes no responsibility for the consequences of use of such information nor for any infringement of patents or other rights of third parties which may result from its use. No license is granted by implication or otherwise under any patent or patent rights of STMicroelectronics. Specification mentioned in this publication are subject to change without notice. This publication supersedes and replaces all information previously supplied. STMicroelectronics products are not authorized for use as critical components in life support devices or systems without express written approval of STMicroelectronics.

The ST logo is a trademark of STMicroelectronics.

All other names are the property of their respective owners.

© 2003 STMicroelectronics – All Rights reserved

STMicroelectronics GROUP OF COMPANIES

Australia - Belgium - Brazil - Canada - China - Czech Republic - Finland - France - Germany - Hong Kong - India - Israel - Italy - Japan - Malaysia - Malta - Morocco - Singapore - Spain - Sweden - Switzerland - United Kingdom - United States.

<http://www.st.com>