

## Excellent Integrated System Limited

Stocking Distributor

Click to view price, real time Inventory, Delivery & Lifecycle Information:

[STMicroelectronics](#)  
[SD1433](#)

For any questions, you can email us directly:

[sales@integrated-circuit.com](mailto:sales@integrated-circuit.com)



# SD1433

## RF POWER BIPOLAR TRANSISTORS UHF MOBILE APPLICATIONS

### FEATURES SUMMARY

- 470 MHz
- 12.5 VOLTS
- CLASS C
- EFFICIENCY 60%
- COMMON EMITTER
- P<sub>OUT</sub> = 10 W MIN. WITH 8.0 dB GAIN

### DESCRIPTION

The SD1433 is a Class C epitaxial silicon NPN planar transistor designed for driver applications in the 450 - 512 MHz frequency range. This device uses an emitter ballasted geometry specifically designed for optimum stable power gain, maximum efficiency and infinite VSWR.

Figure 1. Package

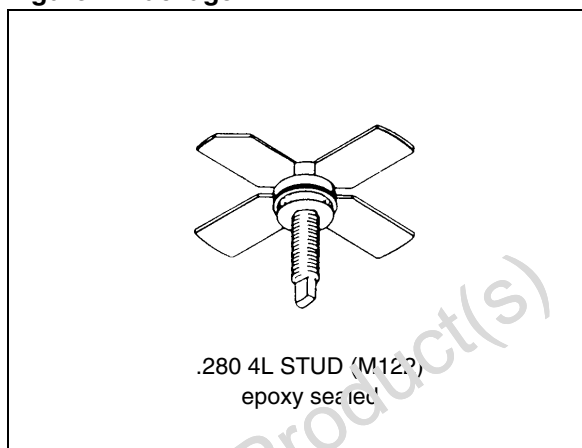


Figure 2. Pin Connection

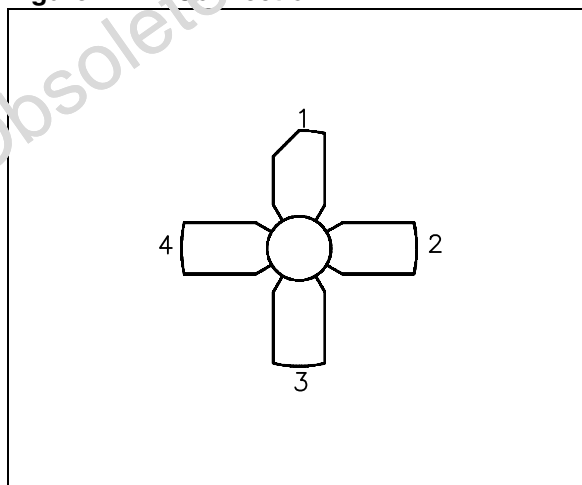


Table 1. Order Codes

Order Codes	Marking	Package	Packaging
SD1433	SD1433	M122	BLACK CARDBOARDS

## SD1433

**Table 2. Absolute Maximum Ratings (T<sub>case</sub> = 25°C)**

Symbol	Parameter	Value	Unit
V <sub>CBO</sub>	Collector-Base Voltage	36	V
V <sub>CEO</sub>	Collector-Emitter Voltage	16	V
V <sub>CES</sub>	Collector-Emitter Voltage	36	V
V <sub>EBO</sub>	Emitter-Base Voltage	4.0	V
I <sub>C</sub>	Device Current	2.5	A
P <sub>DISS</sub>	Power Dissipation	58	W
T <sub>J</sub>	Junction Temperature	+200	°C
T <sub>STG</sub>	Storage Temperature	- 65 to +150	°C

**Table 3. Thermal Data**

Symbol	Parameter	Value	Unit
R <sub>TH(j-c)</sub>	Junction-Case Thermal Resistance	3.0	°C/W

## ELECTRICAL SPECIFICATIONS (T<sub>CASE</sub> = 25°C)

**Table 4. Static**

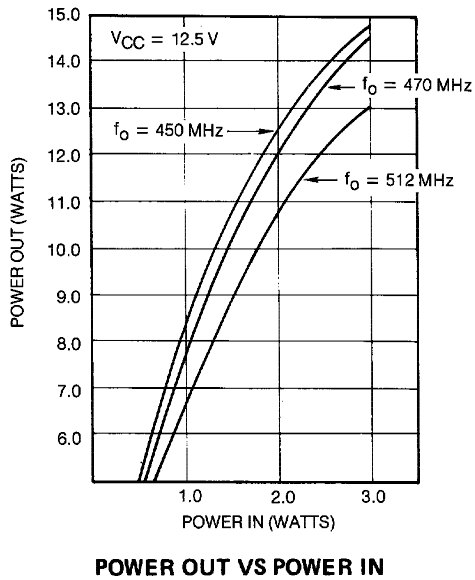
Symbol	Test Conditions	Value			Unit
		Min.	Typ.	Max.	
BV <sub>CES</sub>	I <sub>C</sub> = 25 mA; V <sub>BE</sub> = 0 V	36	—	—	V
BV <sub>CEO</sub>	I <sub>C</sub> = 20 mA; I <sub>B</sub> = 0 mA	16	—	—	V
BV <sub>EBO</sub>	I <sub>E</sub> = 10 mA; I <sub>C</sub> = 0 mA	4.0	—	—	V
I <sub>CES</sub>	V <sub>CE</sub> = 10 V; I <sub>E</sub> = 0 mA	—	—	3	mA
I <sub>CBO</sub>	V <sub>CB</sub> = 15 V; I <sub>E</sub> = 0 mA	—	—	2	mA
h <sub>FE</sub>	V <sub>CE</sub> = 5 V; I <sub>C</sub> = 1 A	10	—	—	—

**Table 5. Dynamic**

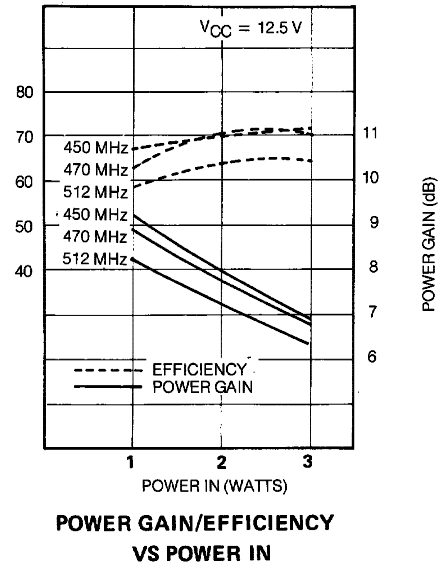
Symbol	Test Conditions	Value			Unit
		Min.	Typ.	Max.	
P <sub>OUT</sub>	f = 470 MHz; P <sub>IN</sub> = 2.0 W; V <sub>CE</sub> = 12.5 V	10	—	—	W
G <sub>p</sub>	f = 470 MHz; P <sub>OUT</sub> = 10 W; V <sub>CE</sub> = 12.5 V	7	—	—	dB
C <sub>OB</sub>	f = 1 MHz; V <sub>CB</sub> = 12.5 V	—	19	—	pF

**TYPICAL PERFORMANCE**

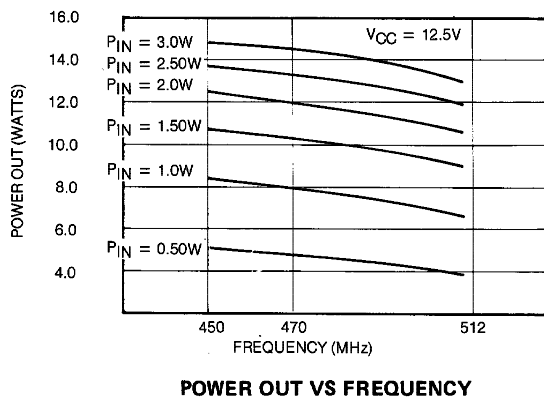
**Figure 3. Power Output vs Power Input**



**Figure 4. Power Gain & Efficiency vs Power Input**



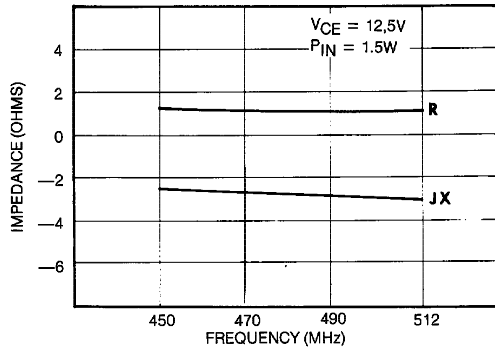
**Figure 5. Power Output vs Frequency**



**SD1433**

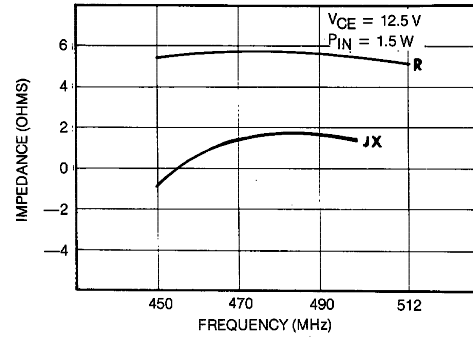
**IMPEDANCE DATA**

**Figure 6. Typical Input Impedance**



**SERIES SOURCE IMPEDANCE VS FREQUENCY**

**Figure 7. Typical Collector Load Impedance**



**SERIES COLLECTOR LOAD IMPEDANCE VS FREQUENCY**

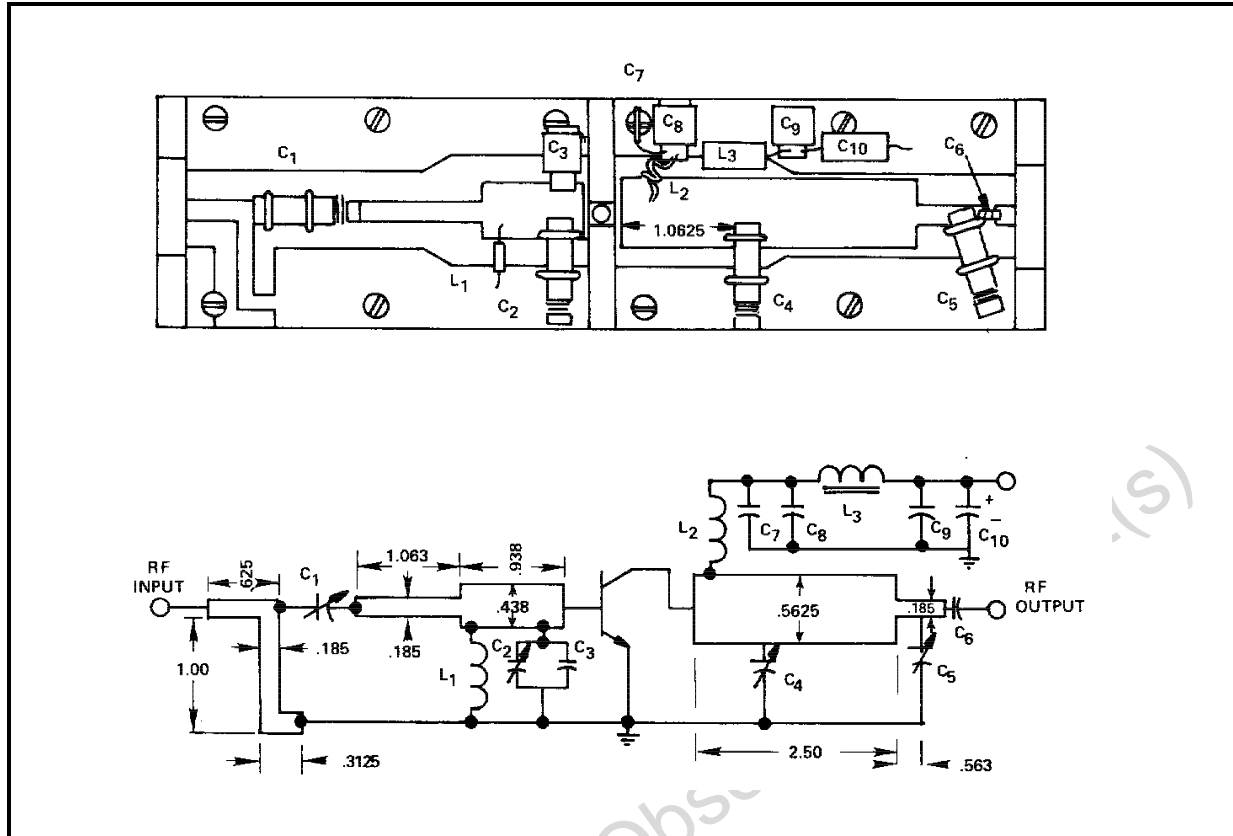
**Table 6. Impedance Data**

FREQ.	Z <sub>IN</sub> (Ω)	Z <sub>CL</sub> (Ω)
470 MHz	1.5 - j 2.7	5.7 + j 1.5

**SD1433**

**TEST CIRCUIT**

**Figure 8. Test Circuit**



**Table 7. Test Circuit**

C1, C2:	0.8pF Voltronics
C3:	18pF Chip Capacitor
C4, C5:	AJ810
C6:	1000pF Chip Capacitor
C7:	0.01μF Disc Ceramic
C8, C9:	1000pF Unelco
C10:	10μF, 35V Electrolytic
L1:	0.47μH Molded Choke
L2:	2 Turns, #20 AWG, 1/8" I.D.
L3:	2 Turns in Ferroxcube VK200/19-4B
Board Material:	3M-K6098, 1/16" Thick

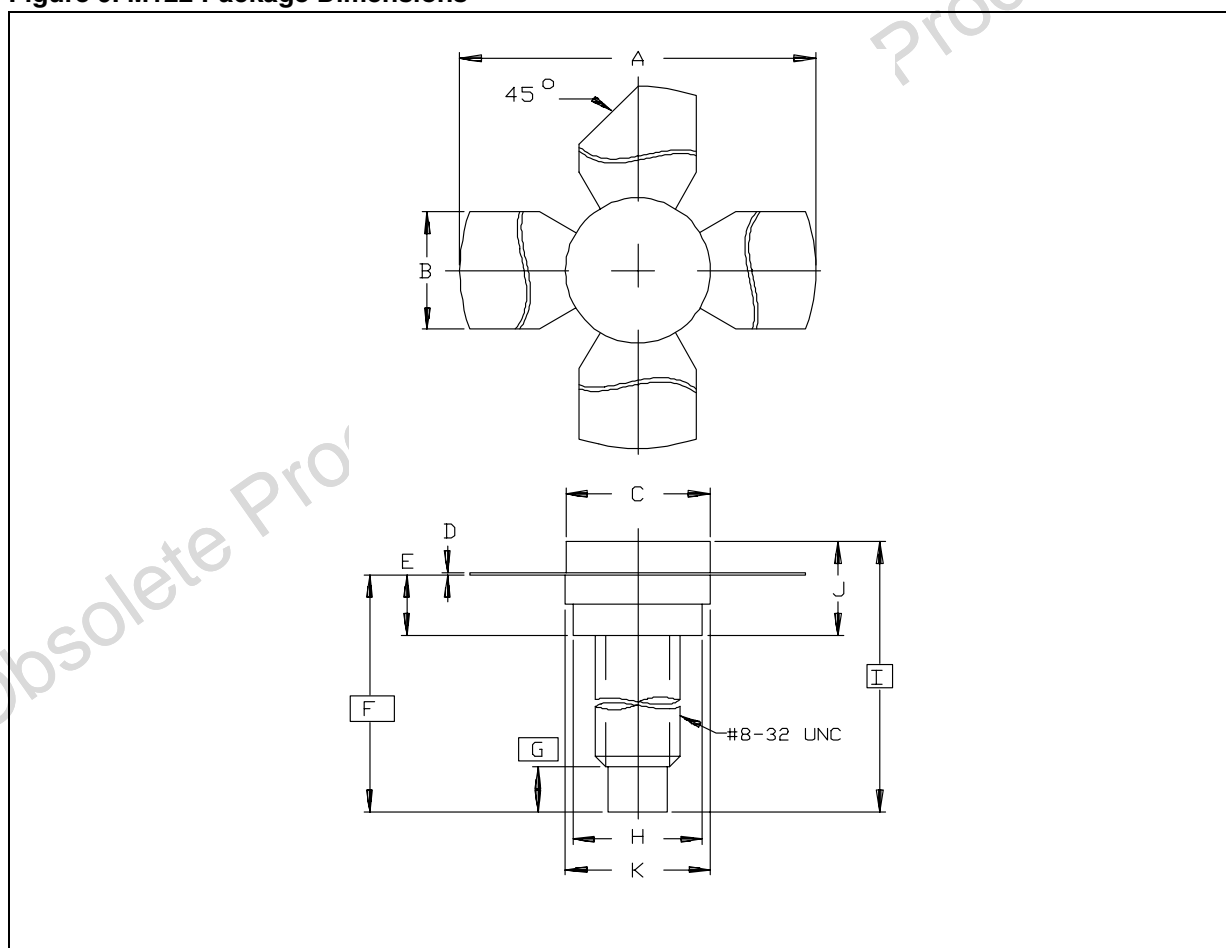
**SD1433**

**PACKAGE MECHANICAL**

**Table 8. M122 Mechanical Data**

Symbol	millimeters			inches		
	Min	Typ	Max	Min	Typ	Max
A	25.65		26.80	1.010		1.055
B	5.59		5.84	0.220		0.230
C	6.86		7.24	0.270		0.285
D	0.08		0.18	0.003		0.007
E	2.97		3.48	0.117		0.137
F		14.53			0.572	
G		3.30			0.130	
H	6.22		6.48	0.245		0.255
I		16.26			0.640	
J	4.45		5.51	0.175		0.217
K	6.99		7.24	0.275		0.285

**Figure 9. M122 Package Dimensions**



Note: Drawing is not to scale.

SD1433

**REVISION HISTORY****Table 9. Revision History**

Date	Revision	Description of Changes
November-1992	1	First Issue
28-May-2004	2	Stylesheet update. No content change.

Obsolete Product(s) - Obsolete Product(s)



## SD1433

---

Information furnished is believed to be accurate and reliable. However, STMicroelectronics assumes no responsibility for the consequences of use of such information nor for any infringement of patents or other rights of third parties which may result from its use. No license is granted by implication or otherwise under any patent or patent rights of STMicroelectronics. Specifications mentioned in this publication are subject to change without notice. This publication supersedes and replaces all information previously supplied. STMicroelectronics products are not authorized for use as critical components in life support devices or systems without express written approval of STMicroelectronics.

The ST logo is a registered trademark of STMicroelectronics.  
All other names are the property of their respective owners

© 2004 STMicroelectronics - All rights reserved

STMicroelectronics GROUP OF COMPANIES

Australia - Belgium - Brazil - Canada - China - Czech Republic - Finland - France - Germany - Hong Kong - India - Israel - Italy - Japan - Malaysia - Malta - Morocco - Singapore - Spain - Sweden - Switzerland - United Kingdom - United States

[www.st.com](http://www.st.com)