

## **Excellent Integrated System Limited**

Stocking Distributor

Click to view price, real time Inventory, Delivery & Lifecycle Information:

[STMicroelectronics](#)  
[SD1726](#)

For any questions, you can email us directly:

[sales@integrated-circuit.com](mailto:sales@integrated-circuit.com)



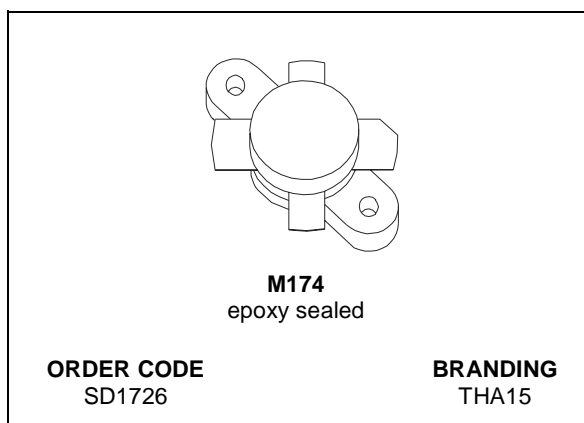
## SD1726 (THA15)

### RF & MICROWAVE TRANSISTORS

### HF SSB APPLICATIONS

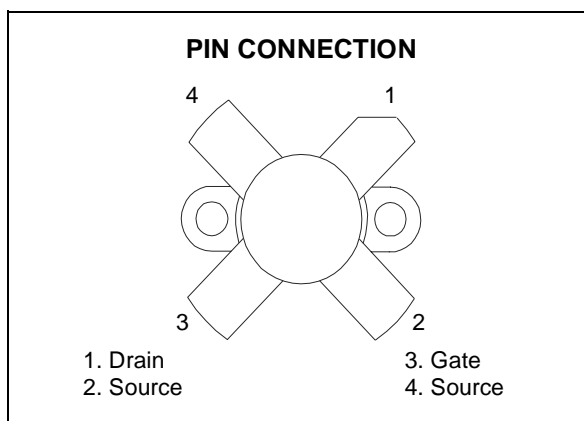
#### FEATURES

- OPTIMIZED FOR SSB
- 30 MHz
- 50 V
- IMD-30 dB
- COMMON EMITTER
- GOLD METALLIZATION
- P<sub>OUT</sub> = 150 W PEP MIN. WITH 14 dB GAIN



#### DESCRIPTION

The SD1726 is a 50 V epitaxial silicon NPN planar transistor designed primarily for SSB communications. This device utilizes emitter ballasting to achieve extreme ruggedness under severe operating conditions.



#### ABSOLUTE MAXIMUM RATINGS (T<sub>CASE</sub> = 25 °C)

Symbol	Parameter	Value	Unit
V <sub>CBO</sub>	Collecto-Base Voltage	110	V
V <sub>CEO</sub>	Collector-Emitter Voltage	55	V
V <sub>EBO</sub>	Emitter-Base Voltage	4.0	V
I <sub>C</sub>	Drain Current	20	A
P <sub>DISS</sub>	Power Dissipation	318	W
T <sub>J</sub>	Max. Operating Junction Temperature	+200	°C
T <sub>STG</sub>	Storage Temperature	-65 to +150	°C

#### THERMAL DATA

R <sub>th(j-c)</sub>	Junction -Case Thermal Resistance at T <sub>CASE</sub> = 70 °C	0.75	°C/W
----------------------	--	------	------

## SD1726 (THA15)

### ELECTRICAL SPECIFICATION (T<sub>CASE</sub> = 25 °C)

#### STATIC

Symbol	Test Conditions	Min.	Typ.	Max.	Unit
BV <sub>CB0</sub>	I <sub>C</sub> = 100 mA I <sub>E</sub> = 0 mA	110			V
BV <sub>CES</sub>	I <sub>C</sub> = 100 mA V <sub>BE</sub> = 0 V	110			V
BV <sub>CEO</sub>	I <sub>C</sub> = 100 mA I <sub>B</sub> = 0 mA	55			V
BV <sub>EBO</sub>	I <sub>E</sub> = 10 mA I <sub>C</sub> = 0 mA	4.0			V
I <sub>CEO</sub>	V <sub>CE</sub> = 30 V I <sub>E</sub> = 0 mA			5	mA
I <sub>CES</sub>	V <sub>CE</sub> = 60 V I <sub>E</sub> = 0 mA			5	mA
h <sub>FE</sub>	V <sub>CE</sub> = 6 V I <sub>C</sub> = 1.4 A	18		43.5	

#### DYNAMIC

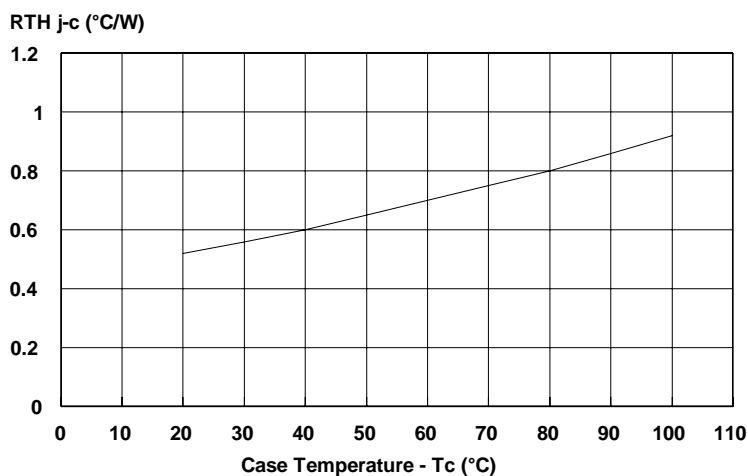
Symbol	Test Conditions	Min.	Typ.	Max.	Unit
P <sub>OUT</sub>	V <sub>CE</sub> = 50 V I <sub>CQ</sub> = 100 mA f = 30 MHz	150			W
G <sub>P</sub> <sup>*</sup>	V <sub>CE</sub> = 50 V I <sub>CQ</sub> = 100 mA P <sub>OUT</sub> = 150 W PEP	14			dB
IMD <sup>*</sup>	V <sub>CE</sub> = 50 V I <sub>CQ</sub> = 100 mA P <sub>OUT</sub> = 150 W PEP			-30	dBc
η <sub>D</sub> <sup>*</sup>	V <sub>CE</sub> = 50 V I <sub>CQ</sub> = 100 mA P <sub>OUT</sub> = 150 W PEP	37			%
GOB	V <sub>CB</sub> = 50 V f = 1 MHz			220	pF

Note: The SD1726 is also usable in Class A at 40 V. Typical performance is:

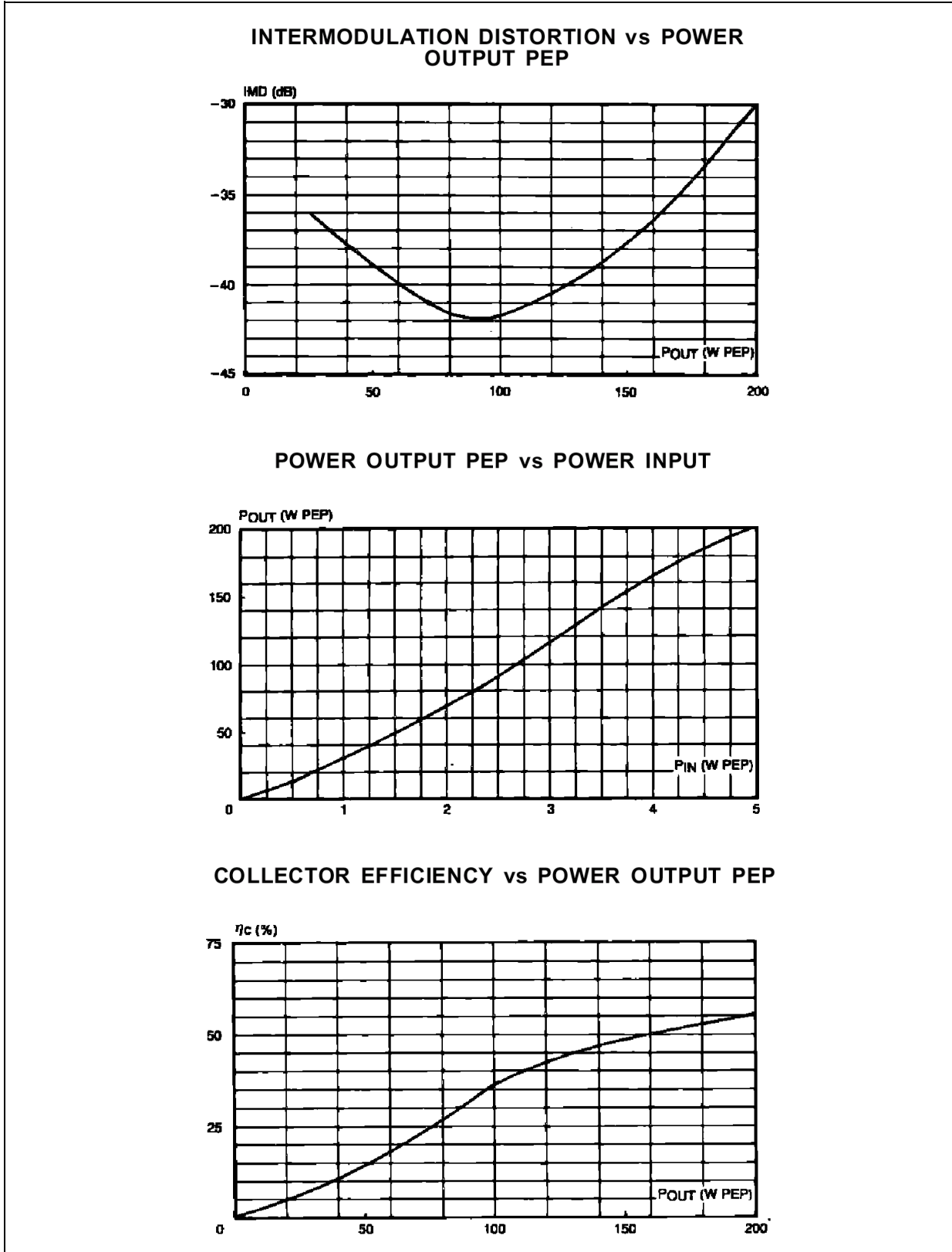
P<sub>OUT</sub> = 30 W PEP, G<sub>P</sub> = 14 dB, IMD = - 40 dBc

\* f<sub>1</sub> = 30.00 MHz; f<sub>2</sub> = 30.001 MHz

### Thermal Resistance versus Case Temperature

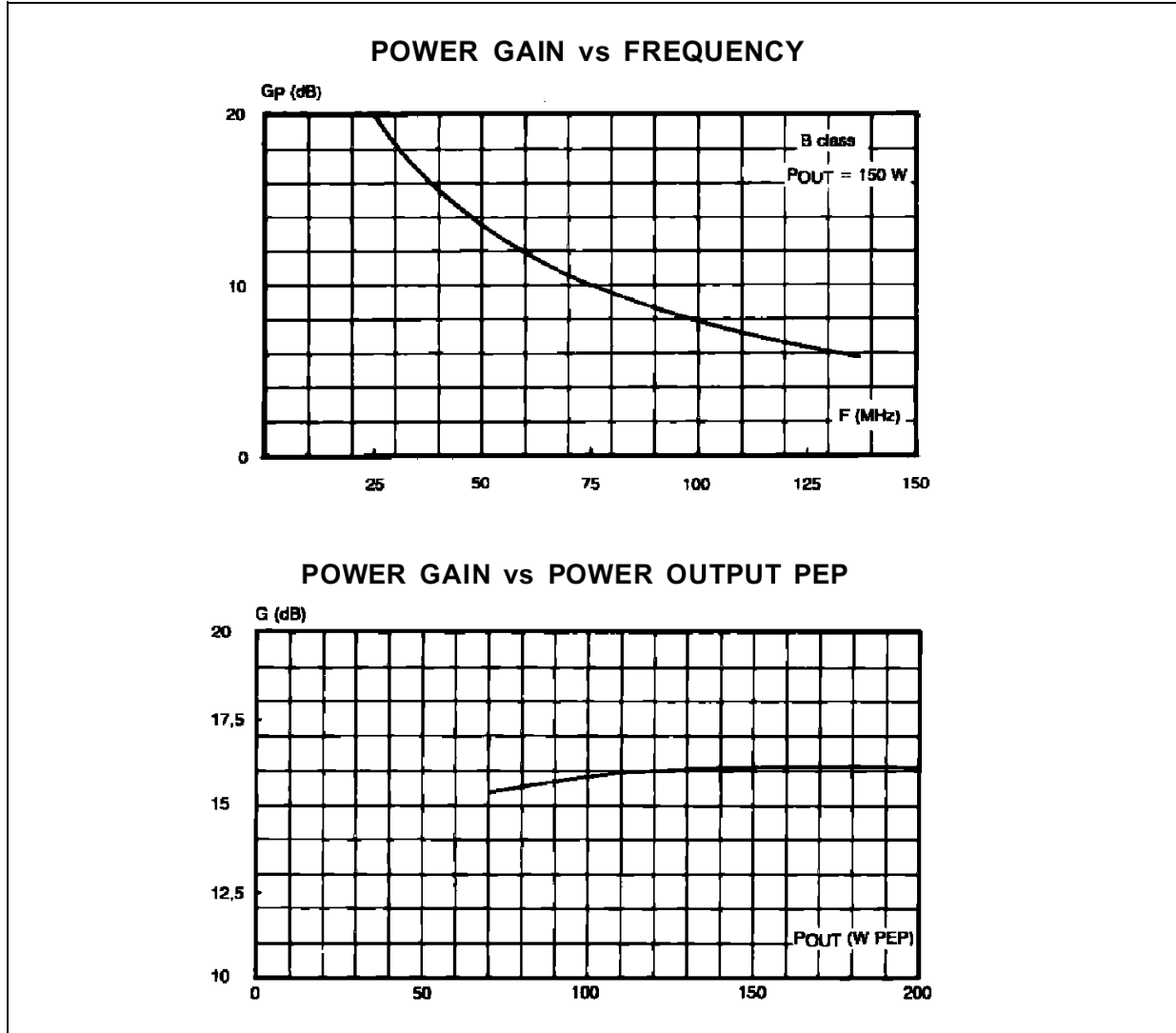


TYPICAL PERFORMANCE



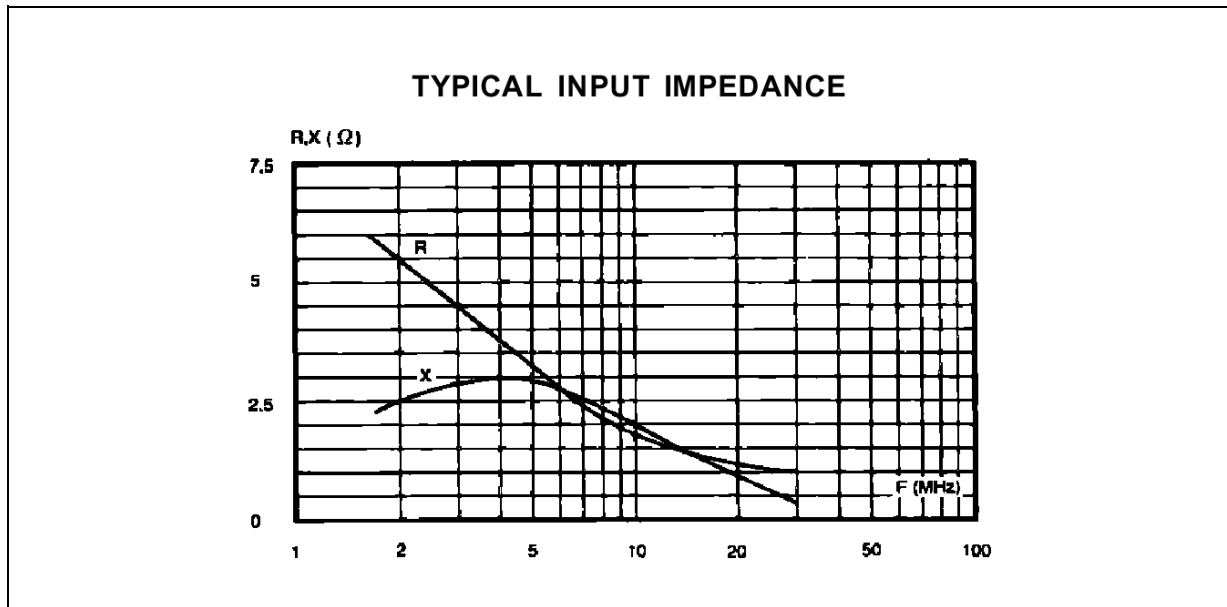
**SD1726 (THA15)**

**TYPICAL PERFORMANCE (cont'd)**

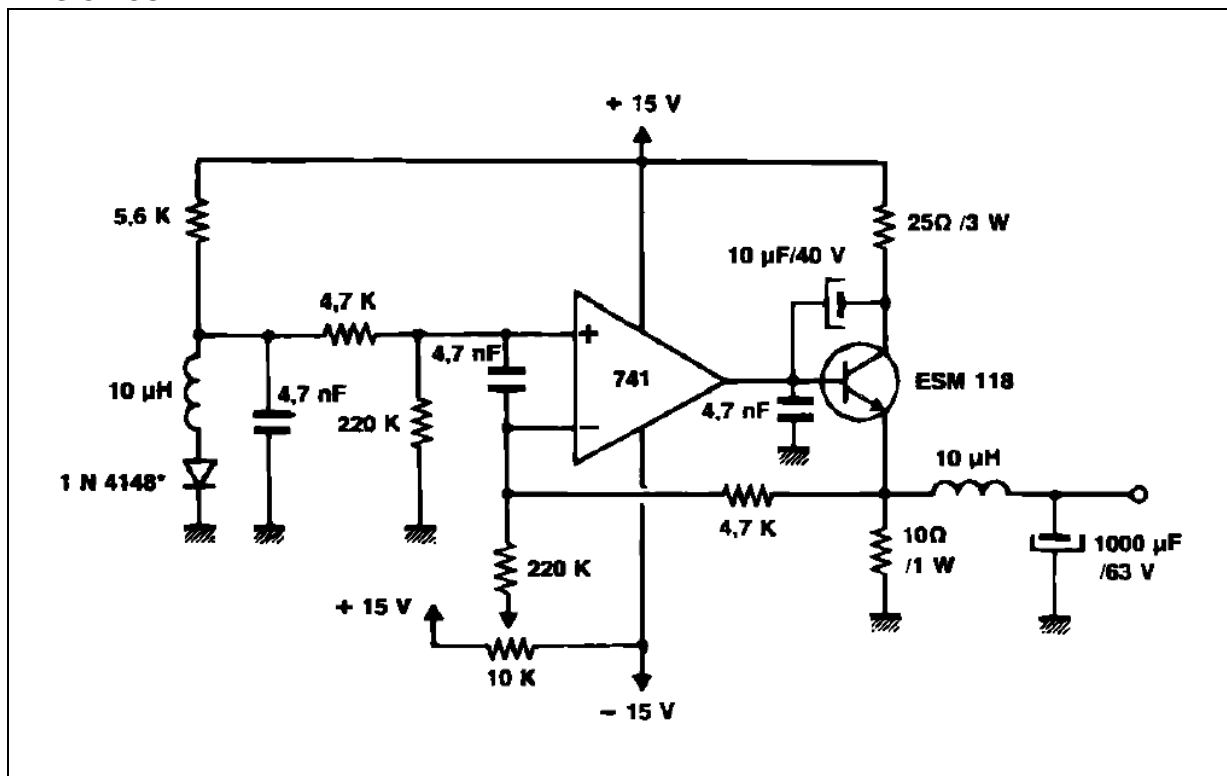


SD1726 (THA15)

IMPEDENCE DATA

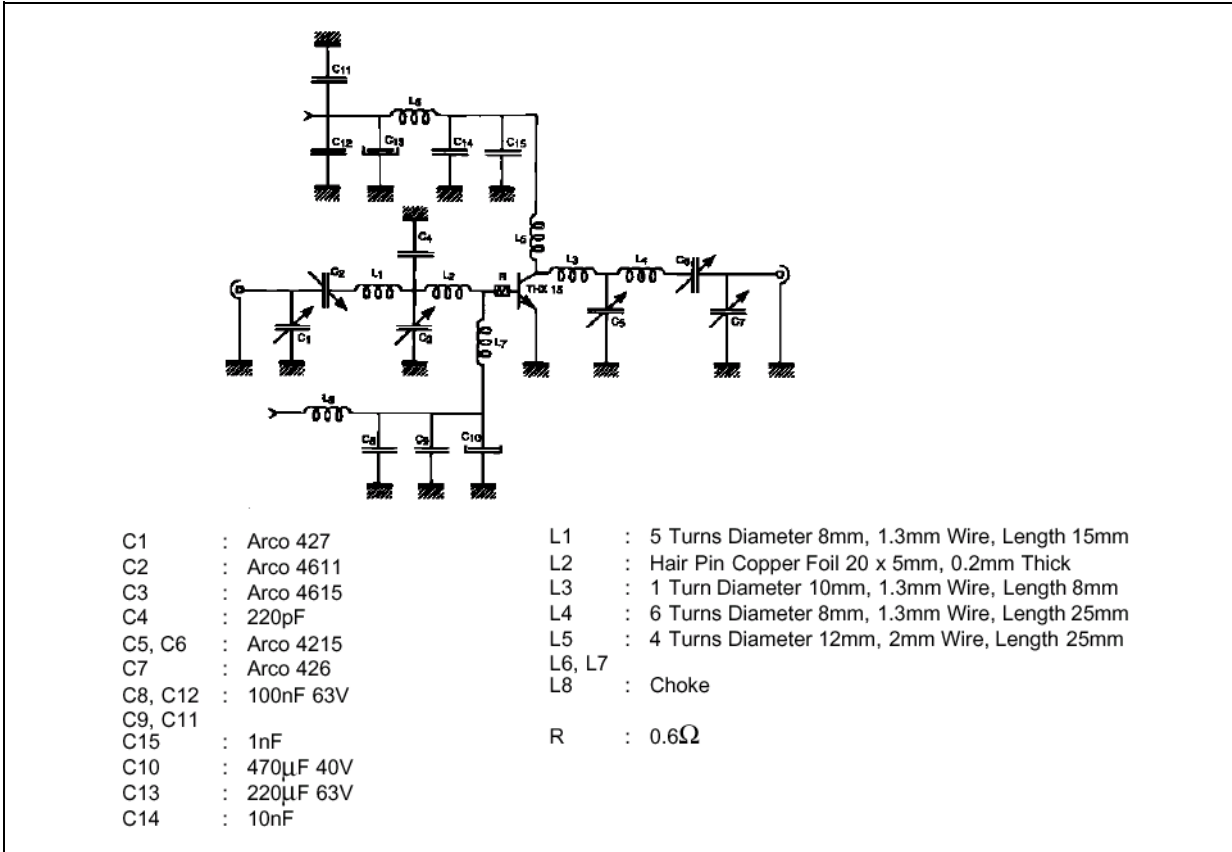


BIAS CIRCUIT

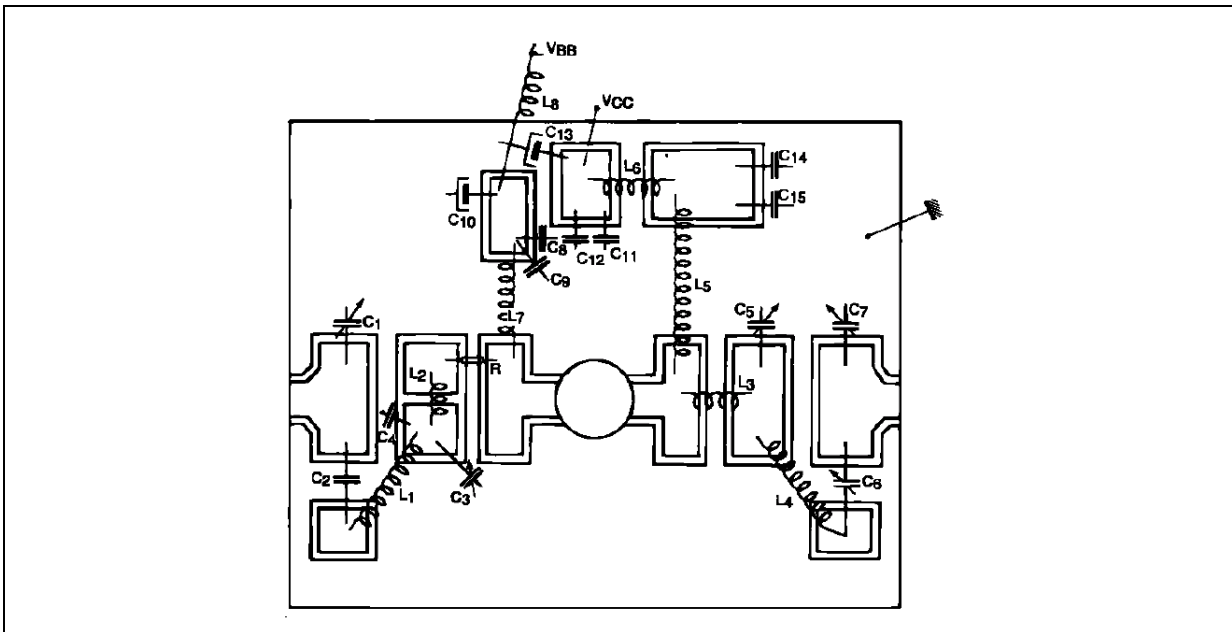


**SD1726 (THA15)**

**TEST CIRCUIT - CLASS AB - 30 MHz**



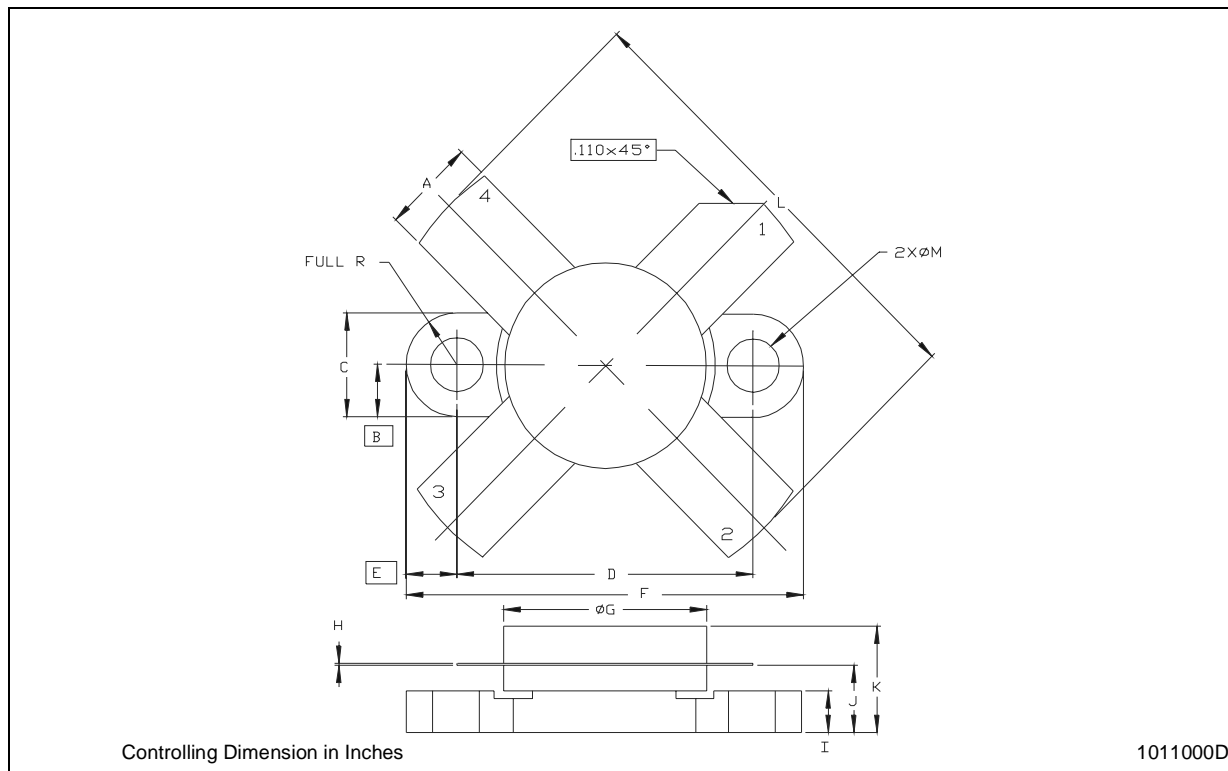
**MOUNTING CIRCUIT - CLASS AB - 30 MHz**



**SD1726 (THA15)**

**M174 (.500 DIA 4/L N/HERM W/FLG) MECHANICAL DATA**

DIM.	mm			Inch		
	MIN.	TYP.	MAX	MIN.	TYP.	MAX
A	5.56		5.584	0.219		0.230
B		3.18			0.125	
C	6.22		6.48	0.245		0.255
D	18.28		18.54	0.720		0.730
E		3.18			0.125	
F	24.64		24.89	0.970		0.980
G	12.57		12.83	0.495		0.505
H	0.08		0.18	0.003		0.007
I	2.11		3.00	0.083		0.118
J	3.81		4.45	0.150		0.175
K			7.11			0.280
L	25.53		26.67	1.005		1.050
M	3.05		3.30	0.120		0.130





## **SD1726 (THA15)**

---

Information furnished is believed to be accurate and reliable. However, STMicroelectronics assumes no responsibility for the consequences of use of such information nor for any infringement of patents or other rights of third parties which may result from its use. No license is granted by implication or otherwise under any patent or patent rights of STMicroelectronics. Specifications mentioned in this publication are subject to change without notice. This publication supersedes and replaces all information previously supplied. STMicroelectronics products are not authorized for use as critical components in life support devices or systems without express written approval of STMicroelectronics.

The ST logo is registered trademark of STMicroelectronics  
© 2003 STMicroelectronics - All Rights Reserved

All other names are the property of their respective owners.

STMicroelectronics GROUP OF COMPANIES

Australia - Brazil - Canada - China - Finland - France - Germany - Hong Kong - India - Israel - Italy - Japan -  
Malaysia - Malta - Morocco - Singapore - Spain - Sweden - Switzerland - United Kingdom - U.S.A.

<http://www.st.com>