

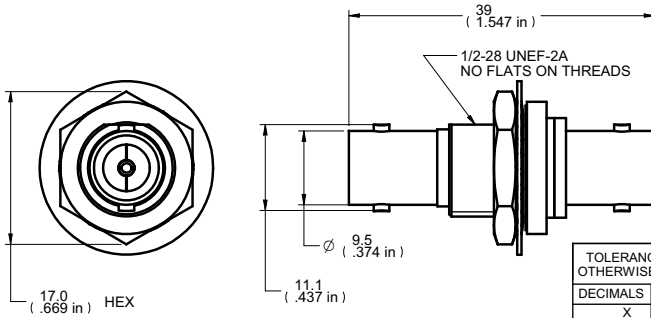
5 4 3 2 1

DRAWING NO. 28-84707	
REVISIONS	
01	OFFICIAL RELEASE 08-18-09
	2008.09.0 Betty 08-28-15 708800



Description: CPAD557 BNC Adpter, Jack To Jack
 Part No: 28-84707
 Application: Adapter
 Crimp Tool: N/A
 Impedance: 75 ohm
 Frequency Range: 0~2 GHz
 Material: Body Zinc Nickel plated
 Insulator Delrin
 Contact Berlium Gold plated
 Mounting nut Brass Nickel plated
 Lockwasher Steel Nickel plated
 RoHS Compliance: Yes
 Technical Detail: Refer to Emerson Document P/N 27-0000

受控 CONTROLLED DOCUMENT					
编号 P/N	28-84707-CUST	版本 Rev	01	日期 Rel'd Date	SEP 14, 09



DIM OUTLINE

CUSTOMER COPY

TOLERANCE UNLESS OTHERWISE SPECIFIED	DRAWN BY LINDA.WU	DATE 08-18-09
DECIMALS mm	CHECKED BY LINDA.WU	DATE 08-18-09
X ± 0.5	APPROVED BY THOMAS	DATE 08-18-09
X.X ± 0.3		
X.XX ± 0.1		
ANGLES ± 0.5°	U/M mm	



TITLE CPAD557 BNC ADPTR, JACK TO JACK		
SHEET 1 OF 1	DRAWING NO. 28-84707	SIZE A

THIS DRAWING WAS PRODUCED BY COMPUTER.
DO NOT SCALE DRAWING OR UPDATE MANUALLY.

5 4 3 2 1