

Excellent Integrated System Limited

Stocking Distributor

Click to view price, real time Inventory, Delivery & Lifecycle Information:

[SL Power Electronics - Manufacturer of Condor/Ault Brands
RMX-354-1205G](#)

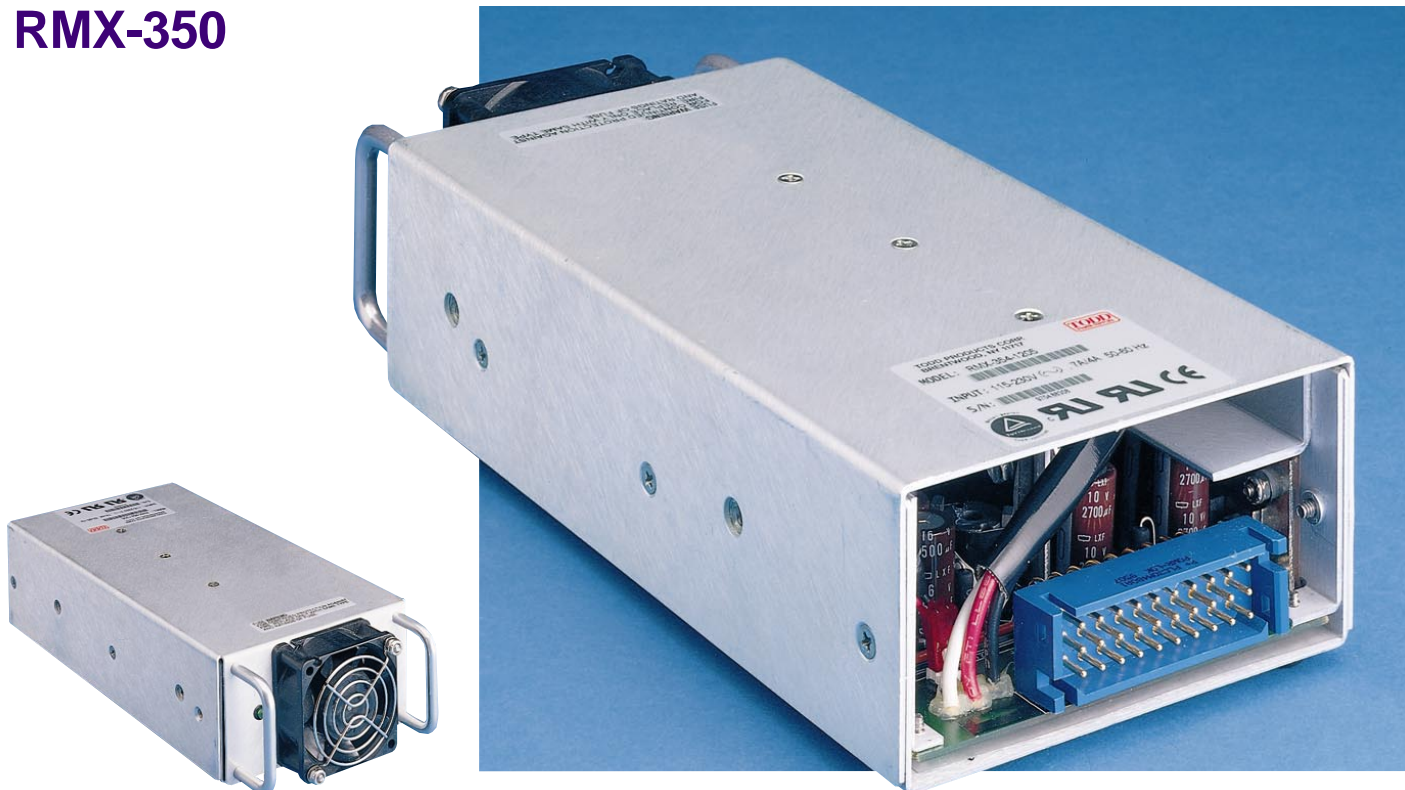
For any questions, you can email us directly:

sales@integrated-circuit.com



**350 WATTS
 POWER FACTOR CORRECTED
 MULTIPLE OUTPUT, HOT SWAP**

RMX-350



Featuring:

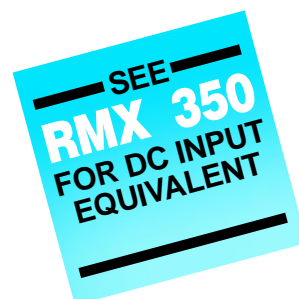
- Diode isolated outputs for hot swap
- “Zero wire” slope program current sharing for redundancy
- Self-aligning connector with solid metal machined contacts
- Universal AC input
- 0.99 typical power factor
- Dual converter design eliminates interaction between logic and auxiliary outputs
- Low ripple and noise on all outputs
- DC power good and AC power fail signals
- True remote inhibit
- Monotonic turn-on and turn-off

STANDARD RMX SERIES

MODEL	PWR	OUTPUT #1	OUTPUT #2	OUTPUT #3	OUTPUT #4
RMX-353-0512	350	+5V @ 50A	+12V @ 8/12A pk	-12V @ 4A	
RMX-354-1205	350	+5V @ 50A	+12V @ 8/12A pk	-12V @ 4A	5.2V @ 5A
RMX-354-1212	350	+5V @ 50A	+12V @ 8/12A pk	-12V @ 4A	12V @ 5A
RMX-354-1224	350	+5V @ 50A	+12V @ 8/12A pk	-12V @ 4A	24V @ 3A
RMX-354-1512	350	+5V @ 50A	+15V @ 4A	-15V @ 4A	12V @ 5A
RMX-354-1524	350	+5V @ 50A	+15V @ 4A	-15V @ 4A	24V @ 3A

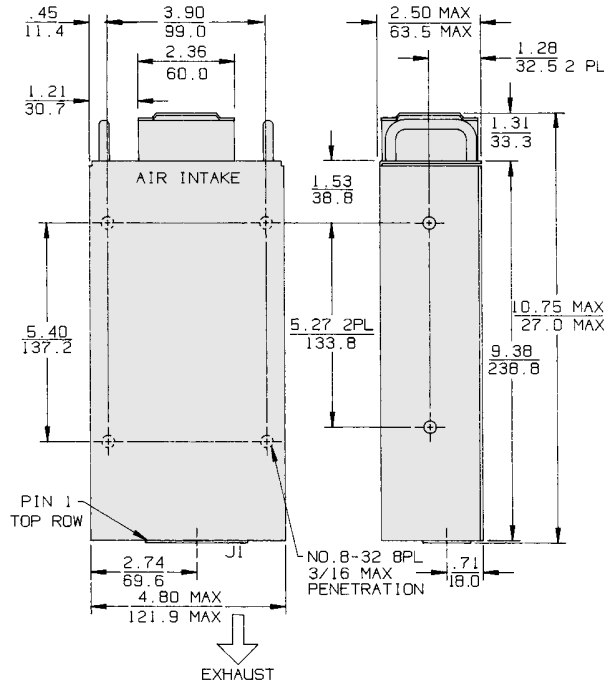
Maximum power from outputs #2, #3 and #4 to be less than 170W

RMX Series 350-watt power supplies provide new and increased flexibility for configuring redundant “hot swappable” power systems using a standard product. The RMX-350 Series eliminates the need for external sheet metal sleds, OR-ing diodes, and a high current interface. These switching power supplies are power factor corrected, multiple-output units which contain built-in Schottky OR-ing diodes and a high current connector interface.



350 WATTS
10.75" x 4.8" x 2.5"
RMX-350

RMX-350
 3.5 lbs - 1.6 kgs



Dimensions: Inches
 Millimeters

SPECIFICATIONS: ALL MODELS

INPUT

AC Input: 90-264 Vac continuous range, 47 to 63 Hz. Internally fused for 7A.
 Power Factor: 0.99 typical at full load. Meets EN61000-3-2.
 Inrush: Cold start AC current is less than 30 A at 115 Vac and 60 A at 230 Vac. Limited by thermistor.
 Brownout Protection: Holds regulation to 85 Vac.
 Holdup Time: 20 ms minimum after removal of power at full load.
 Efficiency: 70% typical.
 AC Power Fail: Provides TTL "0" 5 ms before output voltage goes out of regulation band upon loss of AC power.

OUTPUT

Adjustability: Outputs #1 and 2, and 4 factory adjusted to nominal $\pm 0.2\%$. Output #3 tracks #2; initial accuracy $\pm 3\%$.
 Line & Load Reg: Outputs #1, 2, and 4 hold $\pm 2\%$ over AC input range and 0 to 100% load change (preprogrammed slope). Output #3 requires 20% minimum load on outputs #2 and 3 to hold $\pm 5\%$.
 Ripple & Noise: 1% p-p or 100 mV, whichever is greater.
 Remote Sense (Output #1): Compensates for 250 mV total line drop. Preprogrammed slope remains under ± 3 worst case. Open sense lead protection.
 Temperature Coefficient (Outputs #1, 2, and 4): 0.03% per degree C.
 Stability: 0.1% over 8 hours after 30 minutes warm-up.
 Transient Response (Outputs #1, 2, and 4): Output voltage returns to within 1% in less than 500 μ s for a 50% load change (measured with rise time and fall time of 200 μ s). Peak transient does not exceed 5%.
 Overload Protection: All outputs are protected against overload and short circuit. Automatic recovery upon removal of fault.
 Overvoltage Protection (Outputs #1 and 2): Protects load against power supply induced over-voltage. Trip point is factory set so that output voltage cannot exceed 136% of nominal.
 Peak Output Current: Dual current ratings define continuous and peak currents. The peak current shown can be delivered for a maximum period of 30 seconds.
 Remote Enable: Contact closure to common turns on DC outputs (recessed pin for "make last, break first" correction).
 Remote Inhibit: Contact closure to the negative sense line or a TTL level "0" turns off DC outputs.
 DC Power Good: Provides a TTL "1" open collector when output #1 is above 4.6 V nominal.
 Redundancy: Built-in OR-ing diodes, slope program current sharing on all outputs, and self-aligning connector provide "hot swap" and "N+1" capabilities. Current sharing remains within 10% of the unit's full output rating while units are in thermal equilibrium.
 Reverse Voltage: Protected against reverse voltage up to supply current rating.

ENVIRONMENTAL

Thermal Protection: Shuts down power supply if overheated. Automatic recovery.
 Temperature Range: 0° to 50°C at full ratings.
 Safety Agencies: Most models are approved to UL1950; CSA 22.2 #234; IEC 950 and TÜV EN60950, Class 1 SELV., CE 72/23/ECC/93/68EEC (low voltage directive).

Conducted RFI: Meets FCC Part 15, Subpart J, Class A; EN5022 Class B; CISPR 22 Class B.
 Output Isolation: Isolated from ground 50 Vdc.
 Cooling: Self-cooled by internal ball-bearing fan.

OPTIONS

Consult factory for available options.

AC INPUT (90-264 VAC Continuous Range)

FUNCTION	115 VAC	230 VAC	CONNECTOR
J1-21	Line	Line 1	See below
J1-23	Neutral	Line 2	
J1-25	Safety Ground	Safety Ground	

DC OUTPUT

FUNCTION	LOCATION	NOTES	CONNECTOR
Output #1	J1-10, 20, 30	Main Output	Positronics # PLC30M400A1-168.3 Mates with panel mounted PLC30F1000 connector using crimp contacts FC114N2 (14 to 16 AWG)
	J1-9, 19, 29	Rtn (Common)	
Output #2	J1-2		
	J1-3	Rtn (Common)	
Output #3	J1-4		
	J1-3	Rtn (Common)	
Output #4	J1-5	(+) Floating Output	
	J1-6	(-) Floating Output	

STATUS AND CONTROL

FUNCTION	LOCATION	NOTES	CONNECTOR
Remote Sense	J1-18	Output #1 Sense	See above
	J1-8	Output #1 Sense Rtn	
DC Power Good	J1-7	Reference to Common when #1 Sense Rtn is terminated	
	J1-16	Reference to Common	
Inhibit	J1-27		
AC Power Fail	J1-17		