

Excellent Integrated System Limited

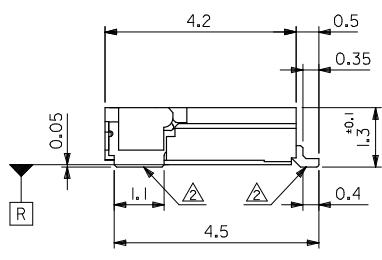
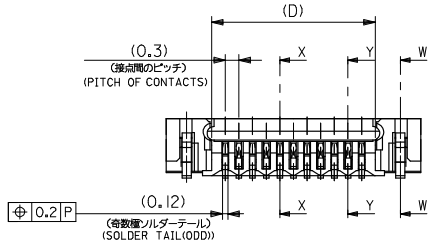
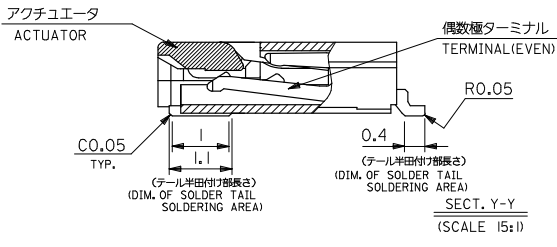
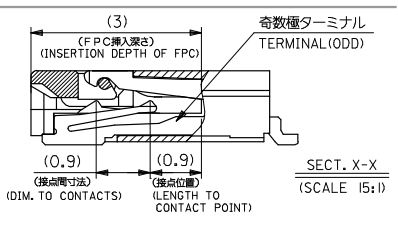
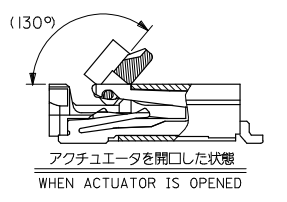
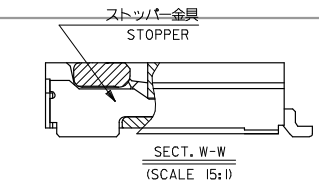
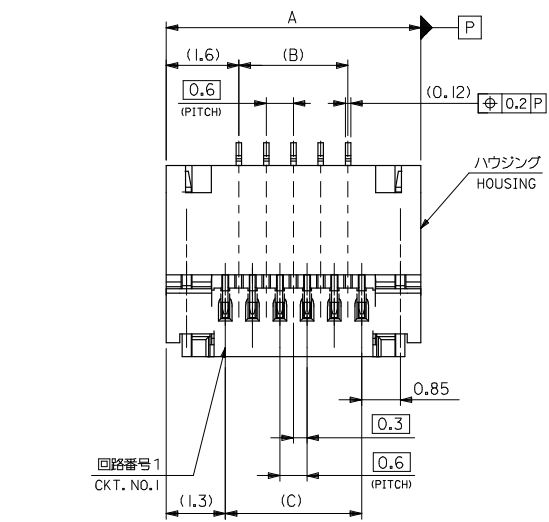
Stocking Distributor

Click to view price, real time Inventory, Delivery & Lifecycle Information:

[Molex Connector Corporation](#)
[54809-1598](#)

For any questions, you can email us directly:

sales@integrated-circuit.com



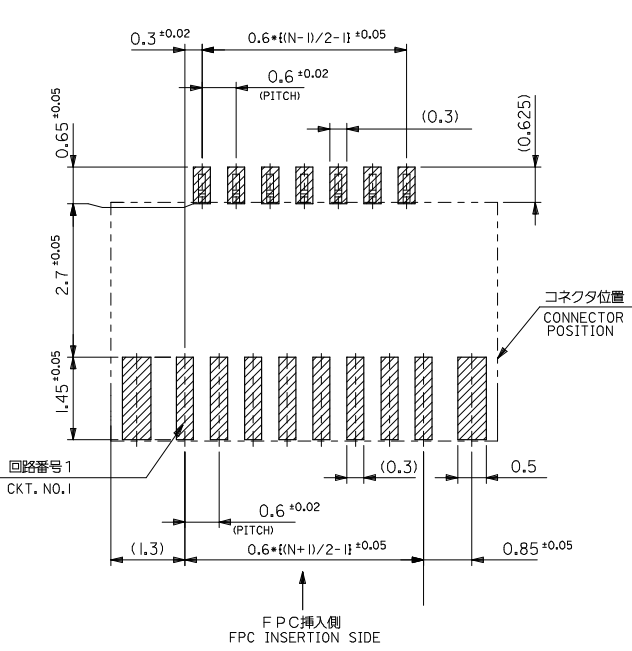
15.6	15.0	14.4	17.6	54809-5198	54809-5128	51
15.0	14.4	13.8	17.0	54809-4998	54809-4928	49
13.8	13.2	12.6	15.8	54809-4598	54809-4528	45
12.0	11.4	10.8	14.0	54809-3998	54809-3928	39
10.8	10.2	9.6	12.8	54809-3598	54809-3528	35
10.2	9.6	9.0	12.2	54809-3398	54809-3328	33
9.6	9.0	8.4	11.6	54809-3198	54809-3128	31
8.4	7.8	7.2	10.4	54809-2798	54809-2728	27
7.8	7.2	6.6	9.8	54809-2598	54809-2528	25
7.2	6.6	6.0	9.2	54809-2398	54809-2328	23
6.6	6.0	5.4	8.6	54809-2198	54809-2128	21
6.0	5.4	4.8	8.0	54809-1998	54809-1928	19
4.8	4.2	3.6	6.8	54809-1598	54809-1528	15
3.6	3.0	2.4	5.6	54809-1198	54809-1128	11

注記 NOTES

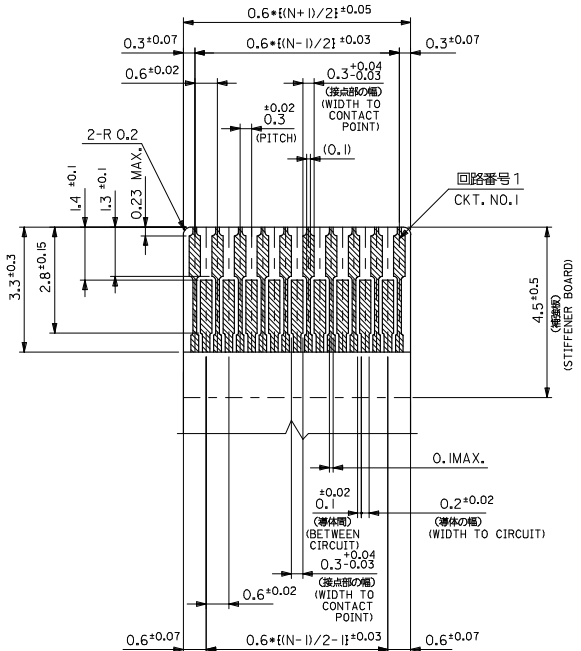
1. 使用材料 MATERIAL
ハウジング HOUSING: LCP, UL94V-0
アクチュエータ ACTUATOR: PA46, UL94V-0
ターミナル: リン青銅 (1=0.12), 錫+ビスマス (2%), ニッケル下地
TERMINAL PHOSPHOR BRONZE, TIN-2% BISMUTH OVER NICKEL PLATING.
金具: リン青銅 (1=0.2), 錫+ニッケル下地
STOPPER PHOSPHOR BRONZE, TIN OVER NICKEL PLATING.
2. ソルダータール半田付け面のズレ量は、基準面 [R] に対し、
上方0MAX, 下方0.1MAX, とする。
又、相互のパラズル量は、0.1MAX, とする。
MISALIGNMENT OF SOLDER TAILS AND FITTING NAILS FROM [R]
UPPER DIRECTION 0 MAX., LOWER DIRECTION 0.1 MAX.,
OFFSET BETWEEN SOLDER TAILS AND FITTING NAILS: 0.1 MAX.
3. 一般公差: ±0.3
GENERAL TOLERANCES: ±0.3
4. 本製品は54809-**27の姉妹品である。
THIS PRODUCT IS LEAD FREE OF 54809-**27

REVISED	DESCRIPTION	GENERAL TOLERANCES (UNLESS SPECIFIED)	DIMENSION STYLE	SCALE	DESIGN UNITS	THIRD ANGLE PROJECTION
EC NO: J2008-4026	2008/05/27	10 UNDER	MM ONLY	---	METRIC	
DRW: M.NABEI	2008/05/27	10 OVER 30 UNDER				
CHK: T.HARUYAMA	2008/05/27	30 OVER				
APP: RINKITA	2008/05/27	ANGULAR				
		DRAFT WHERE APPLICABLE				
		MUST REMAIN				
		WITHIN DIMENSIONS				

DRAWN BY	DATE	TITLE
M. NABEI	'03/12/22	0.3 FPC CONN E/O HSG ASSY (H=1.3) -LEAD FREE-
CHECKED BY	DATE	
K. TOJO	'03/12/22	
APPROVED BY	DATE	
M. SASAO	'03/12/22	
MATERIAL NO.	DOCUMENT NO.	SHEET NO.
SEE TABLE	SD-54809-036	1 OF 2
THIS DRAWING CONTAINS INFORMATION THAT IS PROPRIETARY TO MOLEX INCORPORATED AND SHOULD NOT BE USED WITHOUT WRITTEN PERMISSION		



参考基板レイアウト
RECOMMENDED P.C.BOARD
PATTERN DIM. (REF.)
(マウント面)
(MOUNTING SIDE)



適合F P C推奨寸法
APPLICABLE FPC
RECOMMENDED DIM.
(仕上がり厚さ: 0.2^{+0.03})
(THICKNESS : 0.2±0.03)

FPCについて:

打抜き方向は、導体側から補強板側を推奨いたします。
補強フィルム材質は、ポリイミドを推奨いたします。
接着剤は、熱硬化接着剤を推奨いたします。

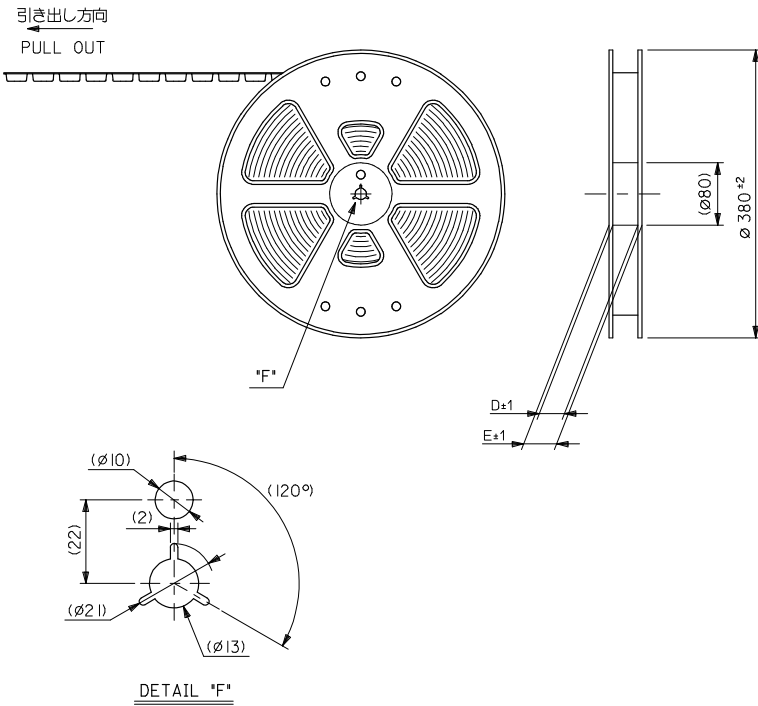
ABOUT FPC:

RECOMMENDED PUNCHER DIRECTION : FROM CONDUCTOR SIDE TO STIFFENER BOARD SIDE.

RECOMMENDED MATERIAL

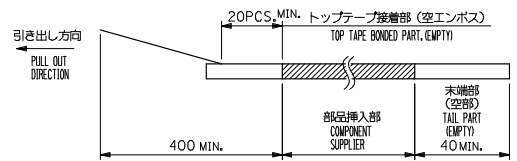
STIFFENER FILM : POLYIMIDE
BONDING AGENT : THERMOSETTING BONDING AGENT

REVISED EC NO.: J2008-4026 DRAWN BY M. NABEI 2008/05/27 CHECKED BY K. TOJO 2008/05/27 APPROVED BY M. SASAO 2008/05/27	DESCRIPTION G	GENERAL TOLERANCES (UNLESS SPECIFIED)		DIMENSION STYLE MM ONLY	SCALE ---	DESIGN UNITS METRIC	THIRD ANGLE PROJECTION	
		10 UNDER	± ---	DRAWN BY M. NABEI	DATE '03/12/22	TITLE 0.3 FPC CONN E/0 HSG ASSY (H=1.3) -LEAD FREE-		
		10 OVER 30 UNDER	± ---	CHECKED BY K. TOJO	DATE '03/12/22	MOLEX INCORPORATED		
		30 OVER	± ---	APPROVED BY M. SASAO	DATE '03/12/22	SHEET NO. 2 OF 2		
		ANGULAR	± --- °	MATERIAL NO. SEE SHEET 1	DOCUMENT NO. SD-54809-036			
		DRAFT WHERE APPLICABLE MUST REMAIN WITHIN DIMENSIONS		SIZE A3	THIS DRAWING CONTAINS INFORMATION THAT IS PROPRIETARY TO MOLEX INCORPORATED AND SHOULD NOT BE USED WITHOUT WRITTEN PERMISSION			

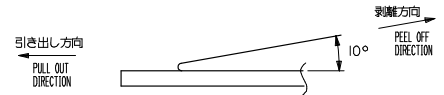


注記 NOTES

- 製品詳細寸法については、図面SD-54809-036を参照下さい。
RE DETAILED DIMENSION, SEE SD-54809-036.
- 梱包数量: 2500個/リール
NUMBER OF CONNECTORS: 2500PCS/REEL
- リードテープ長さ LEAD TAPE LENGTH

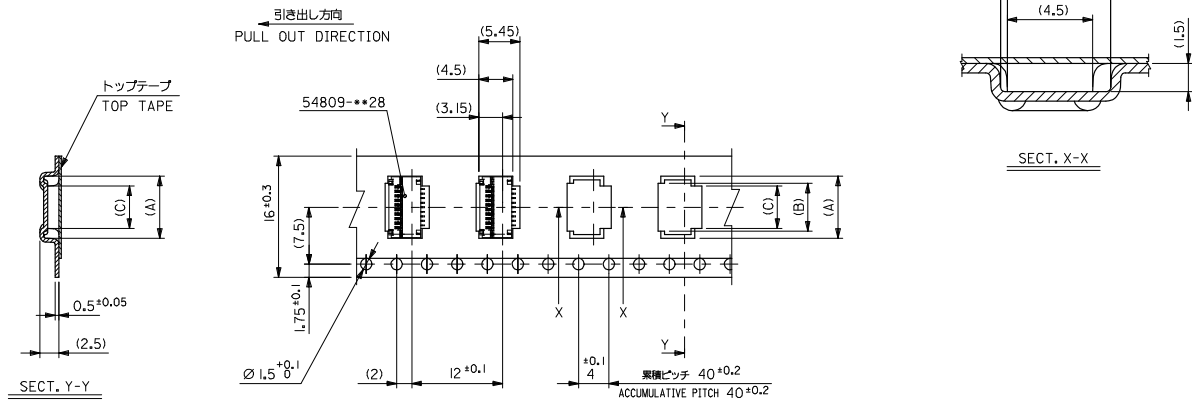


- トップテープの剥離強度: 0.1 ~ 1.3N (10 ~ 130gf) (剥離方向は下図参照)
尚、本規格値は出荷時に適用。(但し、輸送時に剥離が発生しないこと。)
PEELING OFF FORCE OF TOP TAPE: 0.1 ~ 1.3N (10 ~ 130gf)
(PEELING DIRECTION AS SHOWN IN FOLLOWING FIG.)
THIS REQUIREMENT SHOULD BE APPLIED AT SHIPMENT.
PEEL OFF SHOULD NOT BE ALLOWED, DURING TRANSPORTATION.



- 材料 (MATERIAL)
キャリアテープ (CARRIER TAPE): ポリプロピレン (POLYPROPYLENE)
トップテープ (TOP TAPE): PET, PE, PEF
リール (REEL): ポリスチレン (PS) <リサイクル材を含む>
POLYSTYRENE(PS) <RECYCLE MATERIAL CONTAINED>
- 本製品は54809-**-91の鉛フリー品である。
THIS PRODUCT IS LEAD FREE OF 54809-**-91

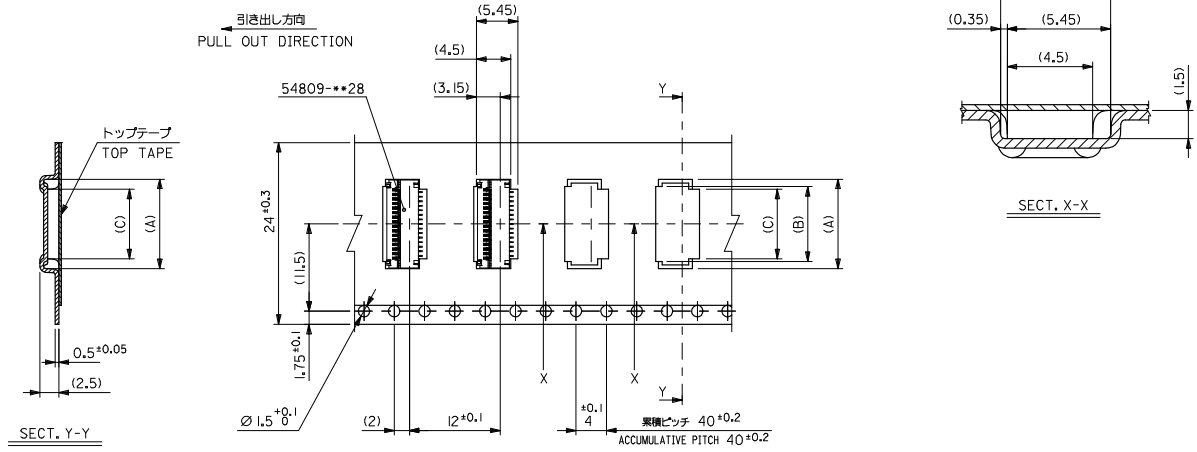
REVISED EC NO.: J2008-4026 DRAWN BY: M. NABEI 2008/05/27 CHECKED BY: K. TOJO 2008/05/27 APPROVED BY: M. SASAO 2008/05/27	DESCRIPTION	GENERAL TOLERANCES (UNLESS SPECIFIED)		DIMENSION STYLE	SCALE	54809-**-98	MODEL NO.	
				MM ONLY	---	DESIGN UNITS	THIRD ANGLE PROJECTION	
		10 UNDER	±---	DRAWN BY	DATE	TITLE	EMBSTP PKG FOR 0.3 FPC CONN E/O -LEAD FREE-	
		10 OVER 30 UNDER	±---	CHECKED BY	DATE	MOLEX INCORPORATED		
30 OVER	±---	APPROVED BY	DATE	MATERIAL NO.	DOCUMENT NO.	SHEET NO.		
	ANGULAR	±--- °		SEE TABLE	SD-54809-037	1 OF 4		
	DRAFT WHERE APPLICABLE MUST REMAIN WITHIN DIMENSIONS		SIZE	THIS DRAWING CONTAINS INFORMATION THAT IS PROPRIETARY TO MOLEX INCORPORATED AND SHOULD NOT BE USED WITHOUT WRITTEN PERMISSION				



16mm幅キャリアテープ
16mm WIDTH CARRIER TAPE

16	21.4	17.4	6.8	7.5	9.4	54809-2398	23
			6.2	6.9	8.8	54809-2198	21
			5.6	6.3	8.2	54809-1998	19
			4.4	5.1	7.0	54809-1598	15
			3.2	3.9	5.8	54809-1198	11
キャリアテープ幅 CARRIER TAPE WIDTH	E	D	C	B	A	MATERIAL NO.	数量 QTY.

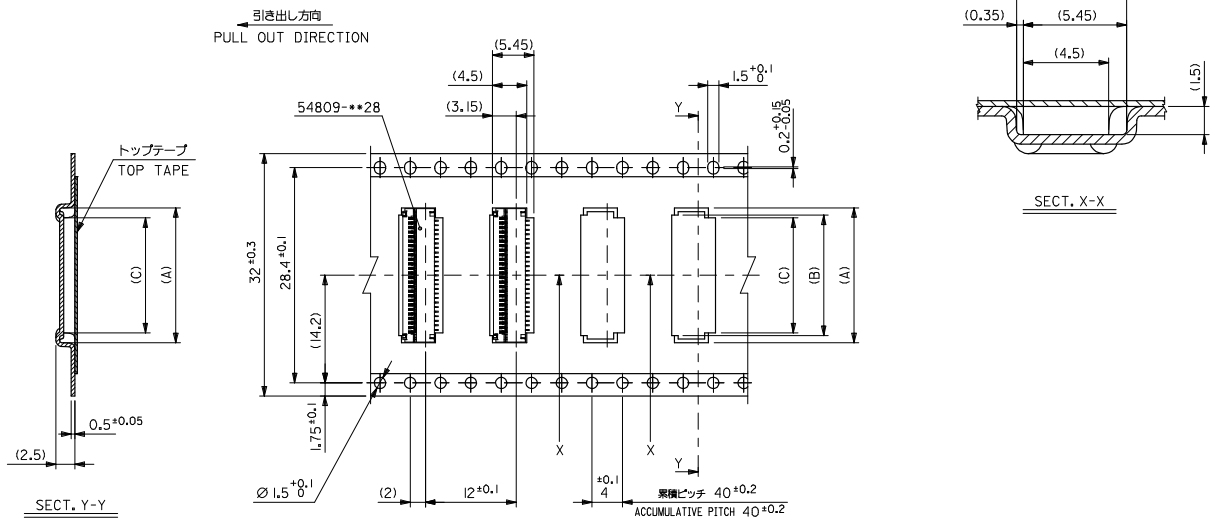
REVISED EC NO.: J2008-4026 DRAWN BY: M. NABEI CHKD: HARUYAMA APPR: NIKITA	DESCRIPTION	GENERAL TOLERANCES (UNLESS SPECIFIED)		DIMENSION STYLE MM ONLY		SCALE ---		DESIGN UNITS METRIC		MODEL NO. 54809-***98	
		10 UNDER	± ---	DRAWN BY M. NABEI	DATE '03/12/22	TITLE EMBSTP PKG FOR 0.3 FPC CONN E/O -LEAD FREE-		THIRD ANGLE PROJECTION			
		10 OVER 30 UNDER	± ---	CHECKED BY K. TOJO	DATE '03/12/22	MOLEX INCORPORATED					
		30 OVER	± ---	APPROVED BY M. SASAO	DATE '03/12/22	MATERIAL NO. SEE TABLE		DOCUMENT NO. SD-54809-037		SHEET NO. 2 OF 4	
		ANGULAR	± --- °	DRAFT WHERE APPLICABLE MUST REMAIN WITHIN DIMENSIONS		SIZE A3		THIS DRAWING CONTAINS INFORMATION THAT IS PROPRIETARY TO MOLEX INCORPORATED AND SHOULD NOT BE USED WITHOUT WRITTEN PERMISSION			



24mm幅キャリアテープ
24mm WIDTH CARRIER TAPE

24	29.4	25.4	13.4	14.1	16.0	54809-4598	45		
			11.6	12.3	14.2	54809-3998	39		
			10.4	11.1	13.0	54809-3598	35		
			9.8	10.5	12.4	54809-3398	33		
			9.2	9.9	11.8	54809-3198	31		
			8.0	8.7	10.6	54809-2798	27		
キャリアテープ幅 CARRIER TAPE WIDTH			E	D	C	B	A	MATERIAL NO.	数量 QTY.

REVISED EC NO.: J2008-4026 DRAWN BY: M. NABEI 2008/05/27 CHKD: HARUYAMA 2008/05/27 APPR: NIKITA 2008/05/27 B	DESCRIPTION	GENERAL TOLERANCES (UNLESS SPECIFIED)	DIMENSION STYLE MM ONLY	SCALE ---	DESIGN UNITS METRIC	MODEL NO. 54809-**98	THIRD ANGLE PROJECTION
	10 UNDER	±---	DRAWN BY M. NABEI	DATE '03/12/22	TITLE	EMBSTP PKG FOR 0.3 FPC CONN E/O -LEAD FREE-	
	10 OVER 30 UNDER	±---	CHECKED BY K. TOJO	DATE '03/12/22	MOLEX INCORPORATED		
	30 OVER	±---	APPROVED BY M. SASAO	DATE '03/12/22	MATERIAL NO. SEE TABLE	DOCUMENT NO. SD-54809-037	SHEET NO. 3 OF 4
	ANGULAR	±--- °	THIS DRAWING CONTAINS INFORMATION THAT IS PROPRIETARY TO MOLEX INCORPORATED AND SHOULD NOT BE USED WITHOUT WRITTEN PERMISSION				
REQ		DRAFT WHERE APPLICABLE MUST REMAIN WITHIN DIMENSIONS	SIZE A3				



32mm幅キャリアテープ
32mm WIDTH CARRIER TAPE

32	37.4	33.4	15.2	15.9	17.8	54809-5198	51
キャリアテープ幅 CARRIER TAPE WIDTH	E	D	C	B	A	54809-4998	49
						54809-**98	48
						MATERIAL NO.	機 電 図 書 番 号 CKT.

REVISED EC NO: J2008-4026 DRAWN BY: M. NABEI CHKD: HARUYAMA APPR: NIKITA	DESCRIPTION 2008/05/27 2008/05/27 2008/05/27	GENERAL TOLERANCES (UNLESS SPECIFIED)		DIMENSION STYLE MM ONLY	SCALE ---	DESIGN UNITS METRIC	MODEL NO.
		10 UNDER	± ---	DRAWN BY M. NABEI	DATE '03/12/22	TITLE	EMBSTP PKG FOR 0.3 FPC CONN E/O -LEAD FREE-
		10 OVER 30 UNDER	± ---	CHECKED BY K. TOJO	DATE '03/12/22		
		30 OVER	± ---	APPROVED BY M. SASAO	DATE '03/12/22	MATERIAL NO.	DOCUMENT NO.
ANGULAR ± --- °		DRAFT WHERE APPLICABLE MUST REMAIN WITHIN DIMENSIONS		SIZE A3	THIS DRAWING CONTAINS INFORMATION THAT IS PROPRIETARY TO MOLEX INCORPORATED AND SHOULD NOT BE USED WITHOUT WRITTEN PERMISSION		