

Excellent Integrated System Limited

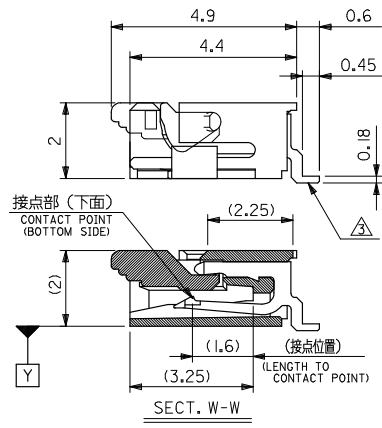
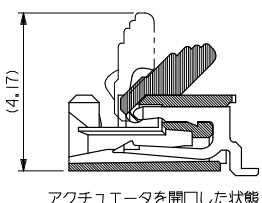
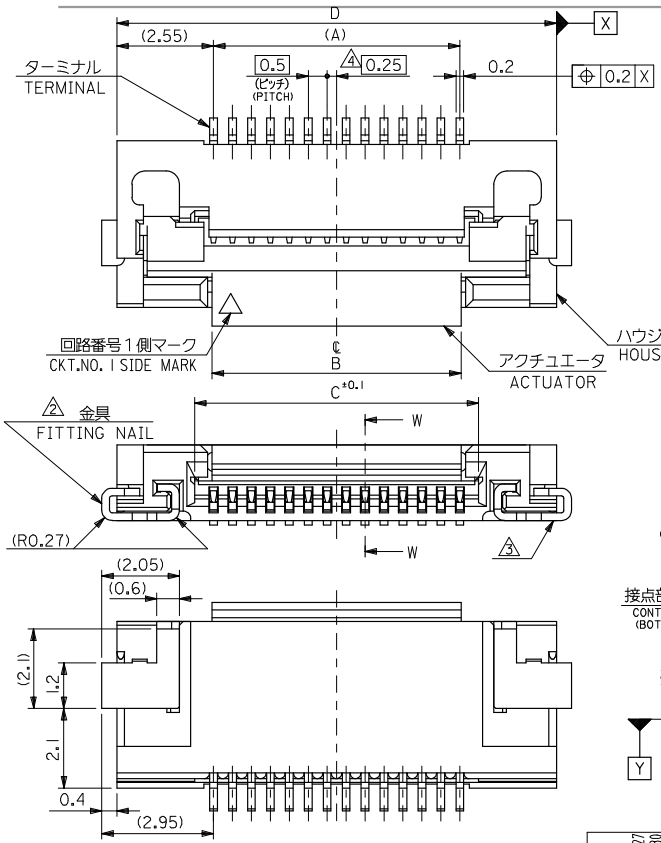
Stocking Distributor

Click to view price, real time Inventory, Delivery & Lifecycle Information:

[Molex Connector Corporation](#)
[0528920895](#)

For any questions, you can email us directly:

sales@integrated-circuit.com

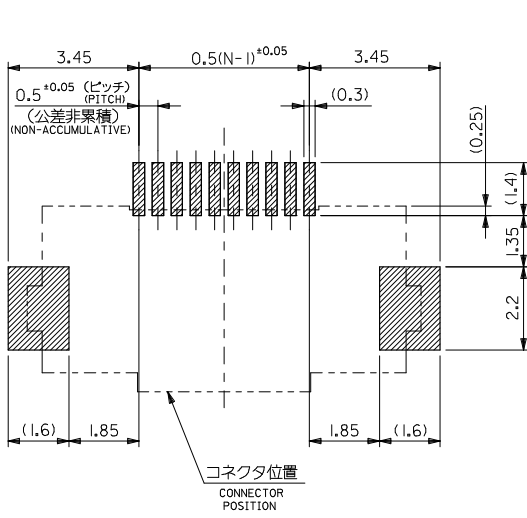


注記 NOTES

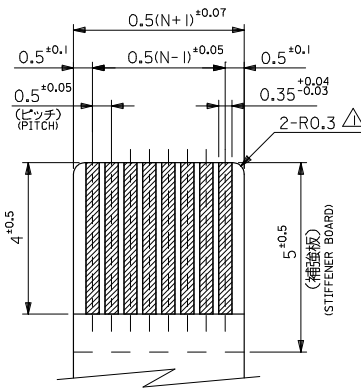
- I. 使用材料 MATERIAL
- ハウジング HOUSING : 46ナイロン, UL94V-0
 - アクチュエータ ACTUATOR : PPS, UL94V-0
 - ターミナル TERMINAL : リン青銅 (t=0.2), ニッケル下地鍍ピスマスメッキ PHOS-BRO,TIN-BISMUTH OVER NICKEL PLATED
 - 金具 FITTING NAIL : リン青銅 (t=0.2), ニッケル下地鍍メッキ PHOS-BRO,TIN OVER NICKEL PLATED
- △ パターンはくり止めの用金具
FITTING NAIL FOR PREVENTION OF PEELING OF P.C.B. PATTERN.
- △ ソルダテール半田付け面のズレ量、及び金具半田付け面のズレ量は、基準面 Y に対し上方向 0.05MAX、下方向 0.2MAX、とする。
MISALIGNMENT OF SOLDER TAILS AND FITTING NAILS FROM Y UPPER DIRECTION: 0.05 MAX., LOWER DIRECTION: 0.2 MAX.
- △ 備数種に適用。
APPLY FOR EVEN CIRCUIT.
5. 本製品は52892-**-**17の鉛フリー品である。
THIS PRODUCT IS LEAD FREE OF 52892-**-**17

19.6	15.5	14.57	14.5	52892-3095	52892-3019	30
18.6	14.5	13.57	13.5	-2895	-2819	28
17.6	13.5	12.57	12.5	-2695	-2619	26
16.6	12.5	11.57	11.5	-2495	-2419	24
15.6	11.5	10.57	10.5	-2295	-2219	22
14.6	10.5	9.57	9.5	-2095	-2019	20
14.1	10.0	9.07	9.0	-1995	-1919	19
13.6	9.5	8.57	8.5	-1895	-1819	18
13.1	9.0	8.07	8.0	-1795	-1719	17
12.6	8.5	7.57	7.5	-1695	-1619	16
12.1	8.0	7.07	7.0	-1595	-1519	15
11.6	7.5	6.57	6.5	-1495	-1419	14
11.1	7.0	6.07	6.0	-1395	-1319	13
10.6	6.5	5.57	5.5	-1295	-1219	12
10.1	6.0	5.07	5.0	-1195	-1119	11
9.6	5.5	4.57	4.5	-1095	-1019	10
8.6	4.5	3.57	3.5	52892-0895	52892-0819	8

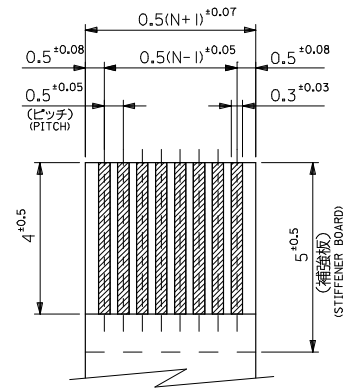
REVISED EC NO: J2008-4308 DRAWN BY: M.NABEI CHKD: HARUYAMA APPR: NIKITA	DESCRIPTION	GENERAL TOLERANCES (UNLESS SPECIFIED)	DIMENSION STYLE	SCALE	DESIGN UNITS	MODEL NO.
			MM ONLY	---	METRIC	52892-**-19
			DRAWN BY: M. NABEI	DATE: 2004/01/09	TITLE	THIRD ANGLE PROJECTION
			CHECKED BY: M. SASAO	DATE: 2004/01/09	0.5 FPC CONN ASSY ZIF SMT RA(BTM CONT) E/O -LEAD FREE-	
			APPROVED BY: M. SASAO	DATE: 2004/01/09	MATERIAL NO.	DOCUMENT NO.
					SEE TABLE	SD-52892-040
			SIZE	THIS DRAWING CONTAINS INFORMATION THAT IS PROPRIETARY TO MOLEX INCORPORATED AND SHOULD NOT BE USED WITHOUT WRITTEN PERMISSION		
			A3			



参考基板レイアウト
RECOMMENDED P.C. BOARD
PATTERN DIMENSION (REF.)
(マウント面)
(MOUNTING SIDE)



適合FPC推奨寸法
APPLICABLE FPC
RECOMMENDED DIMENSION
(仕上がり厚さ: 0.3^{+0.03})
(THICKNESS: 0.3^{+0.03})



適合FFC推奨寸法
APPLICABLE FFC
RECOMMENDED DIMENSION
(仕上がり厚さ: 0.3^{+0.03})
(THICKNESS: 0.3^{+0.03})

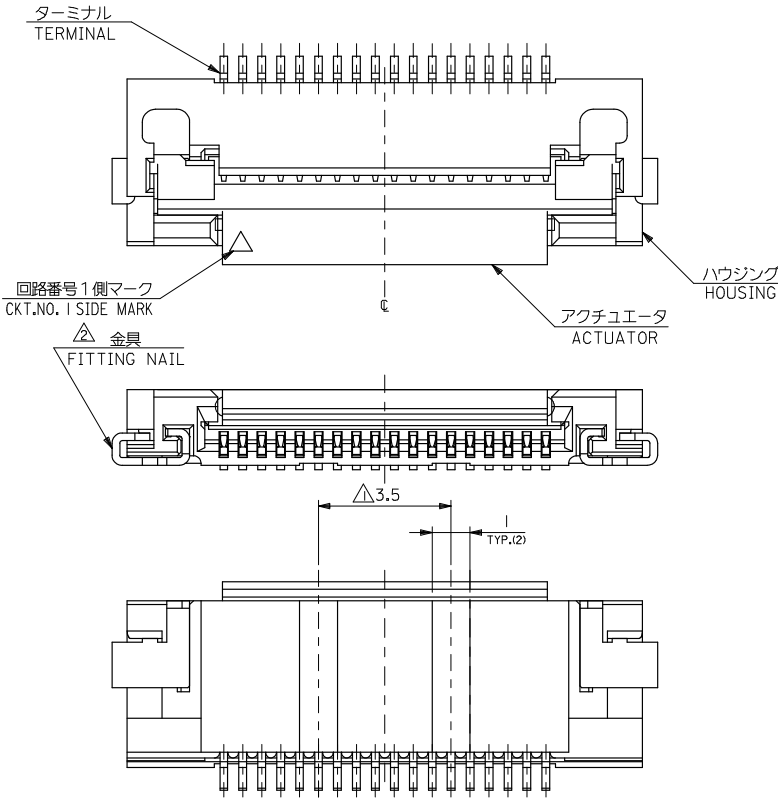
2. FPCについて:
打抜き方向は導体側から補強板側を推奨致します。
補強フィルム材質はポリアミドを推奨致します。
接着剤は熱硬化接着剤を推奨致します。

ABOUT FPC:
RECOMMENDED PUNCHER DIRECTION : FROM CONDUCTOR SIDE TO STIFFENER BOARD SIDE.
RECOMMENDED MATERIAL:
STIFFENER FILM : POLYIMIDE
BONDING AGENT : THERMOSETTING BONDING AGENT

注記 NOTES

- △ R0.3は、FPCの導体部にかからないこと。
R0.3 MUST NOT BE OVERLAPPED TO PATTERN OF FPC.

REVISED		GENERAL TOLERANCES (UNLESS SPECIFIED)		DIMENSION STYLE		SCALE		52892-**19		MODEL NO.	
EC NO: J2008-4308				MM ONLY		---		DESIGN UNITS		THIRD ANGLE PROJECTION	
2008/06/27				DRAWN BY		DATE		METRIC			
DRW: NABEI		10 UNDER ±0.2		M. NABEI		2004/01/09		◎			
2008/06/30		10 OVER 30 UNDER ±0.25		CHECKED BY		DATE		TITLE		0.5 FPC CONN ASSY ZIF	
CHYO: HIRUYAMA		30 OVER ±0.3		M. SASAO		2004/01/09		SMT RA(BTM CONT) E/O		-LEAD FREE-	
2008/06/30		ANGULAR ±3 °		APPROVED BY		DATE		MOLEX		MOLEX INCORPORATED	
APPR: NIKITA		DRAFT WHERE APPLICABLE MUST REMAIN WITHIN DIMENSIONS		M. SASAO		2004/01/09		DOCUMENT NO.		SD-52892-040	
B				MATERIAL NO.		SEE SHEET 1		SHEET NO.		2 OF 3	
REV				SIZE		A3		THIS DRAWING CONTAINS INFORMATION THAT IS PROPRIETARY TO MOLEX INCORPORATED AND SHOULD NOT BE USED WITHOUT WRITTEN PERMISSION			

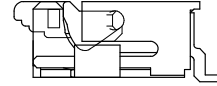


金型変更に伴う形状変更品形状図

APPLY CHANGED FORM AT CHANGED DIE

注記 NOTES

△ 18種以上は2ヶ所、10~16種はハウジングセンター上に1ヶ所とする。
18 CKTS & MORE THAN 18 CKTS PLACED 2 POINT.
10~16 CKTS PLACED 1 POINT ON HOUSING CENTER.



REVISED EC NO.: J2008-4308 DRAWN BY: M. NABEI CHKD: HARUYAMA APPR: NIKITA	DESCRIPTION 2008/06/27 2008/06/30 2008/06/30	GENERAL TOLERANCES (UNLESS SPECIFIED)		DIMENSION STYLE MM ONLY	SCALE ---	52892-**19	MODEL NO.	
		10 UNDER	± 0.2	DRAWN BY M. NABEI	DATE 2004/01/09	DESIGN UNITS METRIC	THIRD ANGLE PROJECTION	
		10 OVER 30 UNDER	± 0.25	CHECKED BY M. SASAO	DATE 2004/01/09	TITLE 0.5 FPC CONN ASSY ZIF SMT RA(BTM CONT) E/O -LEAD FREE-		
		30 OVER	± 0.3	APPROVED BY M. SASAO	DATE 2004/01/09	MOLEX INCORPORATED		
B	REF	ANGULAR	± 3 °	MATERIAL NO. SEE SHEET 1	DOCUMENT NO. SD-52892-040	SHEET NO. 3 OF 3		
		DRAFT WHERE APPLICABLE MUST REMAIN WITHIN DIMENSIONS		THIS DRAWING CONTAINS INFORMATION THAT IS PROPRIETARY TO MOLEX INCORPORATED AND SHOULD NOT BE USED WITHOUT WRITTEN PERMISSION				

10 9 8 7 6 5 4 3 2 1

F

E

D

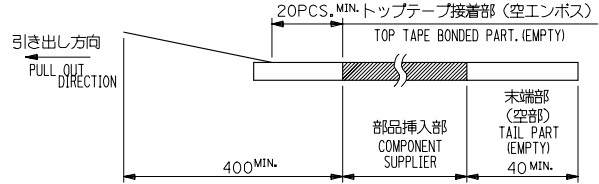
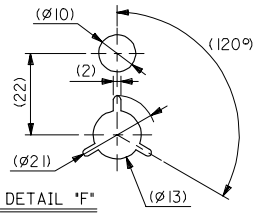
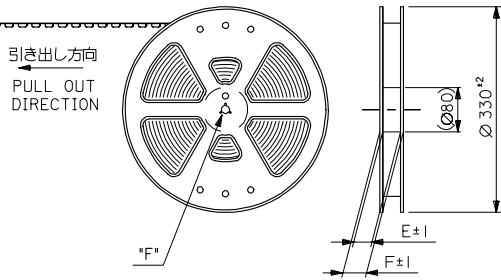
C

B

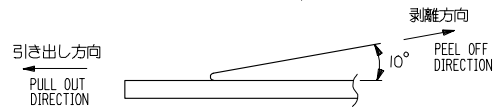
A

注記 NOTES

- 製品詳細寸法については図面 SD-52892-040 を参照下さい。
RE DETAILED DIMENSION, SEE SD-52892-040
- 梱包数量: 1000個/リール
NUMBER OF CONNECTORS: 1000PCS/REEL
- リードテープ長さ LEAD TAPE LENGTH



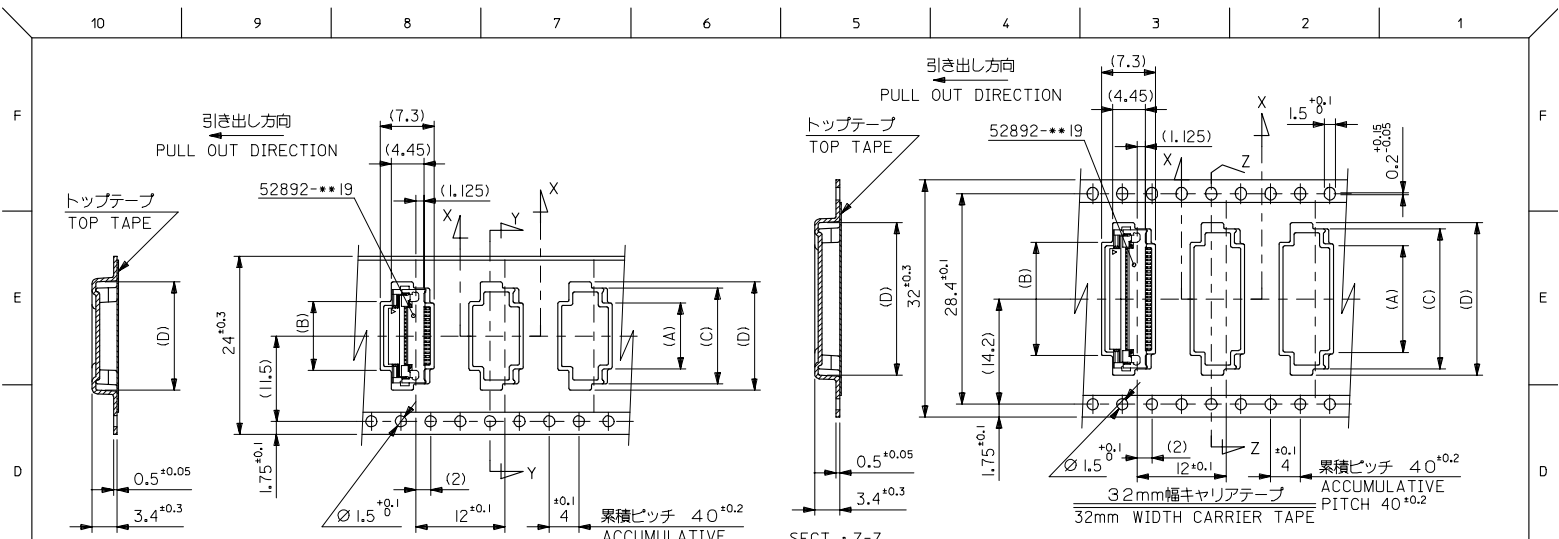
- トップテープの剥離強度: 0.1N (10 ~ 130gf) (剥離方向は下図参照)
尚、本規格値は出荷時に適用。(但し、輸送時に剥離が発生しないこと。)
PEELING OFF FORCE OF TOP TAPE: 0.1N (10 ~ 130gf)
(PEELING DIRECTION AS SHOWN IN FOLLOWING FIG.)
THIS REQUIREMENT SHOULD BE APPLIED AT SHIPMENT.
PEEL OFF SHOULD NOT BE ALLOWED, DURING TRANSPORTATION.



- 材料 (MATERIAL)
キャリアテープ (CARRIER TAPE): ポリプロピレン (POLYPROPYLENE)
トップテープ (TOPTAPE): PET, PE, PEF
リール (REEL): ポリスチレン (PS) <リサイクル材を含む>
POLYSTYRENE (PS) <RECYCLE MATERIAL CONTAINED>

- 本製品は52892-**-90の鉛フリー品である。
THIS PRODUCT IS LEAD FREE OF 52892-**-90

REVISIONS REVISED E.C. NO.: J2005-1026 DRAWN: SASAMOR 2004/10/06 CHECKED: TOD 2004/10/07 APPROVED: NIKITA 2004/10/12	GENERAL TOLERANCES (UNLESS SPECIFIED)		DIMENSION STYLE	SCALE	DESIGN UNITS	THIRD ANGLE PROJECTION
			MM ONLY	---	METRIC	☉
	10 UNDER	±0.2	DRAWN BY M.NABEI DATE 2004/01/09			
	10 OVER 30 UNDER	±0.25	CHECKED BY M.SASAO DATE 2004/01/09			
30 OVER	±0.3	APPROVED BY M.SASAO DATE 2004/01/09				
ANGULAR	±3	MATERIAL NO. 52892-**-95				
DRAFT WHERE APPLICABLE MUST REMAIN WITHIN DIMENSIONS		DOCUMENT NO. SD-52892-041				
		SIZE 1 THIS DRAWING CONTAINS INFORMATION THAT IS PROPRIETARY TO MOLEX INCORPORATED AND SHOULD NOT BE USED WITHOUT WRITTEN PERMISSION				
		TITLE EMBOSSED TAPE PACKAGE FOR 0.5 FPC CONN. -LEAD FREE-				
		MOLEX INCORPORATED				
		SHEET NO. 1 OF 2				



Carrier Tape Width	Carrier Tape Length	Carrier Tape Width	21.6	19.9	16.1	15.9	52892-3095	30			
32	37.4	33.4	20.6	18.9	15.1	14.9	-2895	28			
			19.6	17.9	14.1	13.9	-2695	26			
			18.6	16.9	13.1	12.9	-2495	24			
			17.6	15.9	12.1	11.9	-2295	22			
			16.6	14.9	11.1	10.9	-2095	20			
			16.1	14.4	10.6	10.4	-1995	19			
			15.6	13.9	10.1	9.9	-1895	18			
			15.1	13.4	9.6	9.4	-1795	17			
			14.6	12.9	9.1	8.9	-1695	16			
			14.1	12.4	8.6	8.4	-1595	15			
24	29.4	25.4	13.6	11.9	8.1	7.9	-1495	14			
			13.1	11.4	7.6	7.4	-1395	13			
			12.6	10.9	7.1	6.9	-1295	12			
			12.1	10.4	6.6	6.4	-1195	11			
			11.6	9.9	6.1	5.9	-1095	10			
			10.6	8.9	5.1	4.9	52892-0895	8			
			キャリアテープ幅 CARRIER TAPE WIDTH		F	E	(D)	(C)	(B)	(A)	MATERIAL NO. 極数 CIRCUIT

REVISED E.C. NO: J2005-1026 DRAWN: SASAMOR 2004/10/06 CHECKED: TOJO 2004/10/07 APPR: NIKITA 2004/10/12 REVISION DESCRIPTION REVISION DESCRIPTION	GENERAL TOLERANCES (UNLESS SPECIFIED)	DIMENSION STYLE MM ONLY	SCALE ---	DESIGN UNITS METRIC	THIRD ANGLE PROJECTION
	10 UNDER ±0.2	DRAWN BY M. NABEI	DATE 2004/01/09	TITLE EMBOSSD TAPE PACKAGE FOR 0.5 FPC CONN. -LEAD FREE-	
	10 OVER 30 UNDER ±0.25	CHECKED BY M. SASAO	DATE 2004/01/09	MOLEX INCORPORATED	
	30 OVER ±0.3	APPROVED BY M. SASAO	DATE 2004/01/09	MATERIAL NO. 52892-***95 DOCUMENT NO. SD-52892-041	
	ANGULAR ±3	DRAFT WHERE APPLICABLE MUST REMAIN WITHIN DIMENSIONS		SHEET NO. 2 OF 2	