

Excellent Integrated System Limited

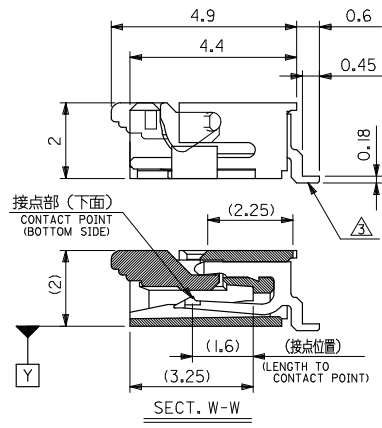
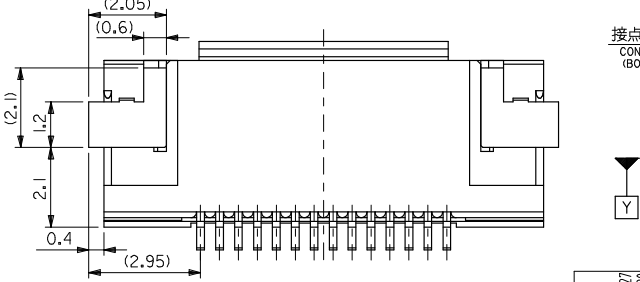
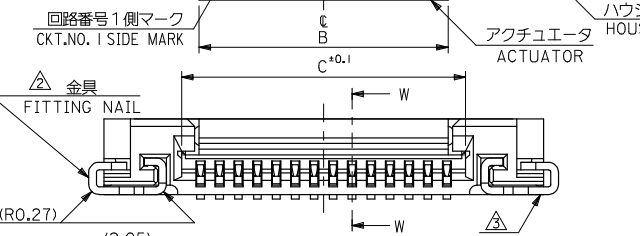
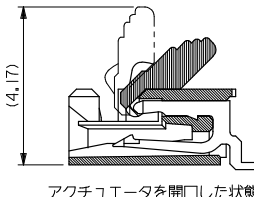
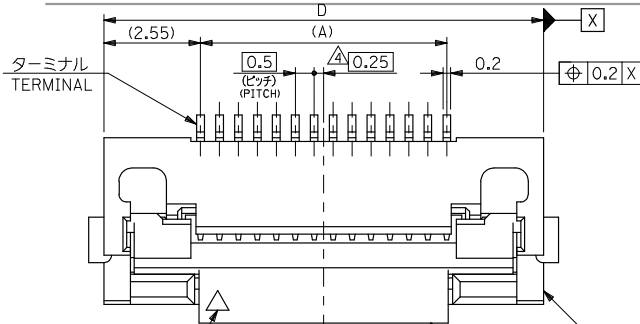
Stocking Distributor

Click to view price, real time Inventory, Delivery & Lifecycle Information:

[Molex Connector Corporation](#)
[52892-1895](#)

For any questions, you can email us directly:

sales@integrated-circuit.com

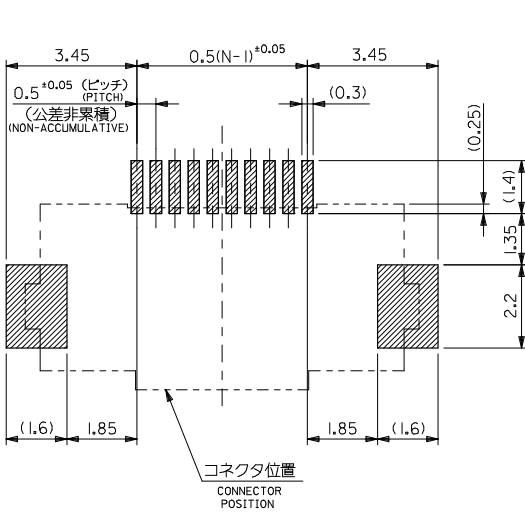


注記 NOTES

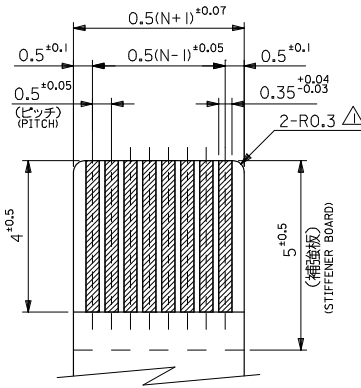
- I. 使用材料 MATERIAL
- ハウジング HOUSING : 46ナイロン, UL94V-0
 - アクチュエータ ACTUATOR : PPS, UL94V-0
 - ターミナル TERMINAL : リン青銅 (t=0.2), ニッケル下地鍍ピスマスメッキ PHOS-BRO,TIN-BISMUTH OVER NICKEL PLATED
 - 金具 FITTING NAIL : リン青銅 (t=0.2), ニッケル下地鍍メッキ PHOS-BRO,TIN OVER NICKEL PLATED
- △ パターンはくり止めの用金具 FITTING NAIL FOR PREVENTION OF PEELING OF P.C.B. PATTERN.
- △ ソルダータール半田付け面のズレ量、及び金具半田付け面のズレ量は、基準面 Y に対し上方向 0.05MAX、下方向 0.2MAX とする。 MISALIGNMENT OF SOLDER TAILS AND FITTING NAILS FROM Y UPPER DIRECTION: 0.05 MAX., LOWER DIRECTION: 0.2 MAX.
- △ 備数種に適用。 APPLY FOR EVEN CIRCUIT.
5. 本製品は52892-**-**17の鉛フリー品である。 THIS PRODUCT IS LEAD FREE OF 52892-**-**17

	19.6	15.5	14.57	14.5	52892-3095	52892-3019	30
	18.6	14.5	13.57	13.5	-2895	-2819	28
	17.6	13.5	12.57	12.5	-2695	-2619	26
	16.6	12.5	11.57	11.5	-2495	-2419	24
	15.6	11.5	10.57	10.5	-2295	-2219	22
	14.6	10.5	9.57	9.5	-2095	-2019	20
	14.1	10.0	9.07	9.0	-1995	-1919	19
	13.6	9.5	8.57	8.5	-1895	-1819	18
	13.1	9.0	8.07	8.0	-1795	-1719	17
	12.6	8.5	7.57	7.5	-1695	-1619	16
	12.1	8.0	7.07	7.0	-1595	-1519	15
	11.6	7.5	6.57	6.5	-1495	-1419	14
	11.1	7.0	6.07	6.0	-1395	-1319	13
	10.6	6.5	5.57	5.5	-1295	-1219	12
	10.1	6.0	5.07	5.0	-1195	-1119	11
	9.6	5.5	4.57	4.5	-1095	-1019	10
	8.6	4.5	3.57	3.5	52892-0895	52892-0819	8

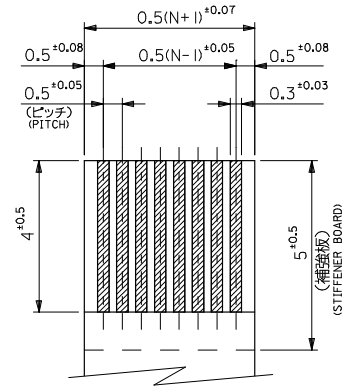
REVISED EC NO: J2008-4308 DRAWN BY: M.NABEI CHYK: HARUYAMA APPR: NIKITA 2008/06/27 2008/06/30 2008/06/30	GENERAL TOLERANCES (UNLESS SPECIFIED)		DIMENSION STYLE MM ONLY		SCALE ---	DESIGN UNITS METRIC	MODEL NO. 52892-**-19	THIRD ANGLE PROJECTION
	10 UNDER	± 0.2	DRAWN BY M. NABEI	DATE 2004/01/09	TITLE 0.5 FPC CONN ASSY ZIF SMT RA(BTM CONT) E/O -LEAD FREE-			
	10 OVER 30 UNDER	± 0.25	CHECKED BY M. SASAO	DATE 2004/01/09	MATERIAL NO. SEE TABLE			
	30 OVER	± 0.3	APPROVED BY M. SASAO	DATE 2004/01/09	DOCUMENT NO. SD-52892-040			
ANGULAR ±3°		DRAFT WHERE APPLICABLE MUST REMAIN WITHIN DIMENSIONS		SHEET NO. 1 OF 3		THIS DRAWING CONTAINS INFORMATION THAT IS PROPRIETARY TO MOLEX INCORPORATED AND SHOULD NOT BE USED WITHOUT WRITTEN PERMISSION		



参考基板レイアウト
RECOMMENDED P.C. BOARD
PATTERN DIMENSION (REF.)
(マウント面)
(MOUNTING SIDE)



適合FPC推奨寸法
APPLICABLE FPC
RECOMMENDED DIMENSION
(仕上がり厚さ: 0.3^{+0.03})
(THICKNESS: 0.3^{+0.03})



適合FFC推奨寸法
APPLICABLE FFC
RECOMMENDED DIMENSION
(仕上がり厚さ: 0.3^{+0.03})
(THICKNESS: 0.3^{+0.03})

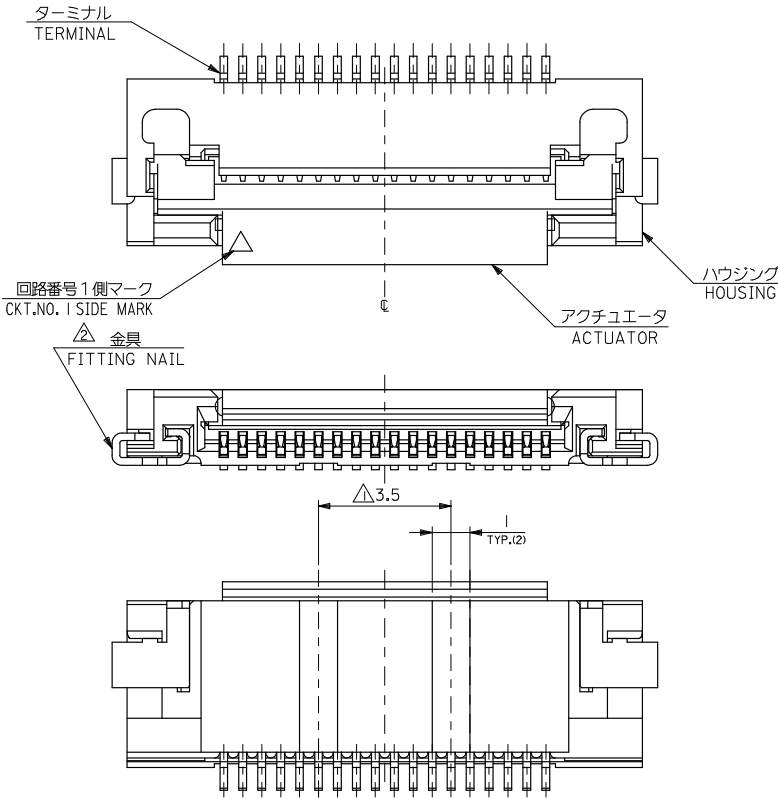
2. FPCについて:
打抜き方向は導体側から補強板側を推奨致します。
補強フィルム材質はポリアミドを推奨致します。
接着剤は熱硬化接着剤を推奨致します。

ABOUT FPC:
RECOMMENDED PUNCHER DIRECTION : FROM CONDUCTOR SIDE TO STIFFENER BOARD SIDE.
RECOMMENDED MATERIAL:
STIFFENER FILM : POLYIMIDE
BONDING AGENT : THERMOSETTING BONDING AGENT

注記 NOTES

- △ R0.3は、FPCの導体部にかからないこと。
R0.3 MUST NOT BE OVERLAPPED TO PATTERN OF FPC.

REVISED		GENERAL TOLERANCES (UNLESS SPECIFIED)		DIMENSION STYLE MM ONLY		SCALE ---		52892-1895		MODEL NO.	
EC NO: J2008-4308		10 UNDER ±0.2		DRAWN BY M. NABEI		DATE 2004/01/09		DESIGN UNITS METRIC		THIRD ANGLE PROJECTION	
DRAWN BY M. NABEI		10 OVER 30 UNDER ±0.25		CHECKED BY M. SASAO		DATE 2004/01/09		TITLE 0.5 FPC CONN ASSY ZIF SMT RA(BTM CONT) E/O -LEAD FREE-			
2008/06/30		30 OVER ±0.3		APPROVED BY M. SASAO		DATE 2004/01/09					
DRAWN BY M. NABEI		ANGULAR ±3 °		MATERIAL NO. SEE SHEET 1		DOCUMENT NO. SD-52892-040		MOLEX INCORPORATED		SHEET NO. 2 OF 3	
2008/06/30		DRAFT WHERE APPLICABLE MUST REMAIN WITHIN DIMENSIONS		SIZE A3		THIS DRAWING CONTAINS INFORMATION THAT IS PROPRIETARY TO MOLEX INCORPORATED AND SHOULD NOT BE USED WITHOUT WRITTEN PERMISSION					
DRAWN BY M. NABEI		REVISION		DATE		DATE		DATE		DATE	
2008/06/30		DESCRIPTION		2008/06/30		2008/06/30		2008/06/30		2008/06/30	
2008/06/30		APPROVAL		DATE		DATE		DATE		DATE	
2008/06/30		DATE		DATE		DATE		DATE		DATE	

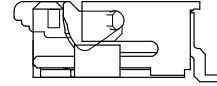


金型変更に伴う形状変更品形状図

APPLY CHANGED FORM AT CHANGED DIE

注記 NOTES

△ 18種以上は2ヶ所、10～16種はハウジングセンター上に1ヶ所とする。
18 CKTS & MORE THAN 18 CKTS PLACED 2 POINT.
10～16 CKTS PLACED 1 POINT ON HOUSING CENTER.



REVISED EC NO.: J2008-4308 DRAWN BY: M. NABEI CHKD: H. HIRUYAMA APPR: N. ITO 2008/06/27 2008/06/30 2008/06/30	DESCRIPTION	GENERAL TOLERANCES (UNLESS SPECIFIED)		DIMENSION STYLE	SCALE	52892-**19	MODEL NO.	
				MM ONLY	---	DESIGN UNITS	THIRD ANGLE PROJECTION	
						METRIC		
B	REV	10 UNDER	± 0.2	DRAWN BY	DATE	0.5 FPC CONN ASSY ZIF SMT RA(BTM CONT) E/O -LEAD FREE- MOLEX INCORPORATED		
		10 OVER 30 UNDER	± 0.25	M. NABEI	2004/01/09			
		30 OVER	± 0.3	CHECKED BY	DATE			
		ANGULAR	± 3 °	M. SASAO	2004/01/09			
DRAFT WHERE APPLICABLE MUST REMAIN WITHIN DIMENSIONS				APPROVED BY	DATE	SD-52892-040		
				MATERIAL NO.	DOCUMENT NO.	SHEET NO.		
				SEE SHEET 1		3 OF 3		
				SIZE	THIS DRAWING CONTAINS INFORMATION THAT IS PROPRIETARY TO MOLEX INCORPORATED AND SHOULD NOT BE USED WITHOUT WRITTEN PERMISSION			
				A3				

10 9 8 7 6 5 4 3 2 1

F

E

D

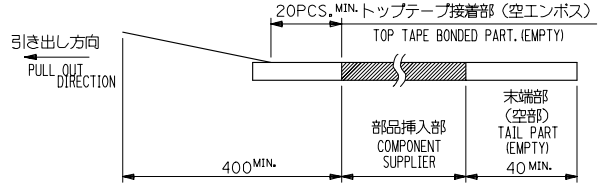
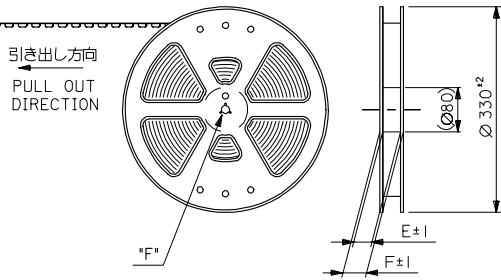
C

B

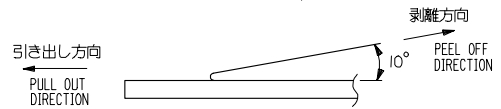
A

注記 NOTES

- 製品詳細寸法については図面 SD-52892-040 を参照下さい。
RE DETAILED DIMENSION, SEE SD-52892-040
- 梱包数量: 1000個/リール
NUMBER OF CONNECTORS: 1000PCS/REEL
- リードテープ長さ LEAD TAPE LENGTH

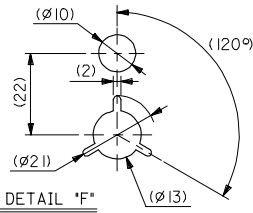


- トップテープの剥離強度: 0.1N ~ 1.3N (10 ~ 130gf)
(剥離方向は下図参照)
尚、本規格値は出荷時に適用。(但し、輸送時に剥離が発生しないこと。)
PEELING OFF FORCE OF TOP TAPE: 0.1N ~ 1.3N (10 ~ 130gf)
(PEELING DIRECTION AS SHOWN IN FOLLOWING FIG.)
THIS REQUIREMENT SHOULD BE APPLIED AT SHIPMENT.
PEEL OFF SHOULD NOT BE ALLOWED, DURING TRANSPORTATION.



- 材料 (MATERIAL)
キャリアテープ (CARRIER TAPE): ポリプロピレン (POLYPROPYLENE)
トップテープ (TOPTAPE): PET, PE, PEF
リール (REEL): ポリスチレン (PS) <リサイクル材を含む>
POLYSTYRENE (PS) <RECYCLE MATERIAL CONTAINED>

- 本製品は52892-**-90の鉛フリー品である。
THIS PRODUCT IS LEAD FREE OF 52892-**-90



REVISED EC NO: J2005-1026 DRAWN: SASAMOR 2004/10/06 CHKDK: TOD 2004/10/07 APPR: NIKITA 2004/10/12	DESCRIPTION A	GENERAL TOLERANCES (UNLESS SPECIFIED)		DIMENSION STYLE MM ONLY		SCALE ---	DESIGN UNITS METRIC	THIRD ANGLE PROJECTION	
		10 UNDER	±0.2	DRAWN BY M.NABEI	DATE 2004/01/09	TITLE EMBOSSD TAPE PACKAGE FOR 0.5 FPC CONN. -LEAD FREE-			
		10 OVER 30 UNDER	±0.25	CHECKED BY M.SASAO	DATE 2004/01/09	MOLEX INCORPORATED			
		30 OVER	±0.3	APPROVED BY M.SASAO	DATE 2004/01/09	DOCUMENT NO. SD-52892-041			
ANGULAR ±3		DRAFT WHERE APPLICABLE MUST REMAIN WITHIN DIMENSIONS		MATERIAL NO. 52892-**-95		SHEET NO. 1 OF 2			
SIZE 1 THIS DRAWING CONTAINS INFORMATION THAT IS PROPRIETARY TO MOLEX INCORPORATED AND SHOULD NOT BE USED WITHOUT WRITTEN PERMISSION									

9

8

7

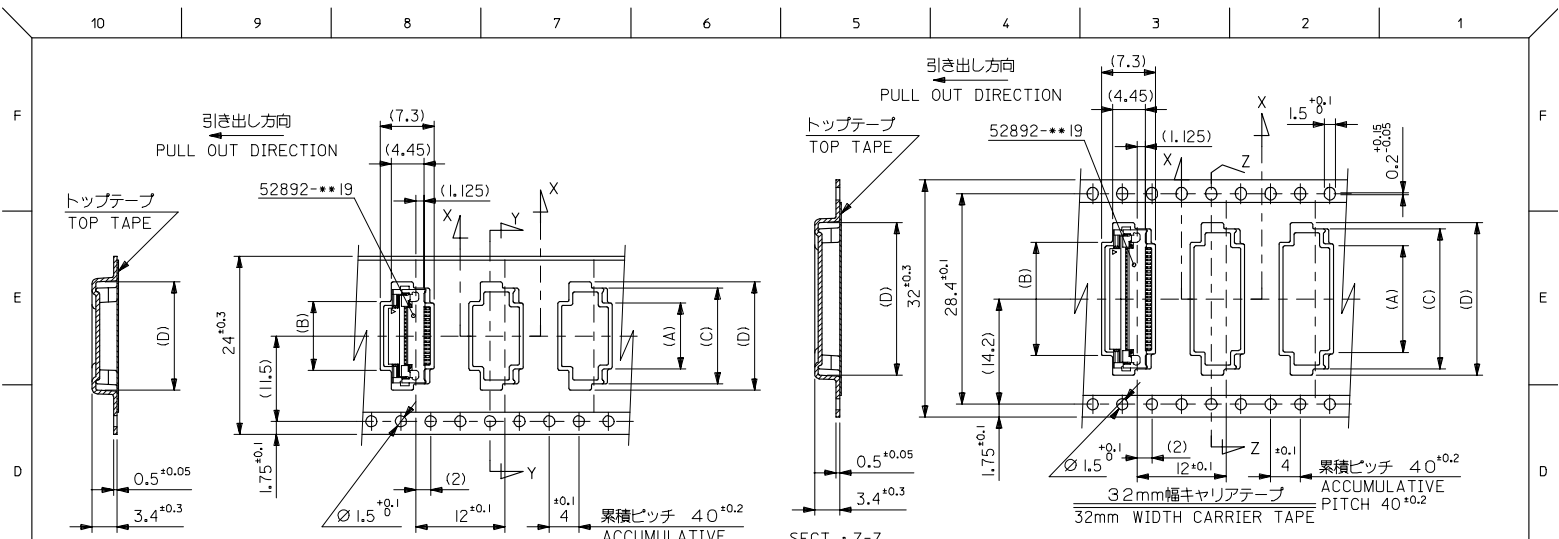
6

5

4

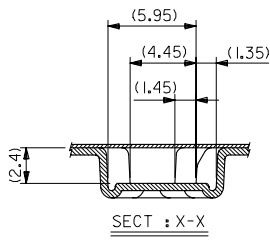
3

2



SECT : Y-Y

24mm幅キャリアテープ
24mm WIDTH CARRIER TAPE



SECT : Z-Z

32mm幅キャリアテープ
32mm WIDTH CARRIER TAPE

Pitch (mm)	Carrier Tape Width (mm)	Carrier Tape Length (mm)	Pitch (mm)				Material No.	Circuit	
			(D)	(C)	(B)	(A)			
32	37.4	33.4	21.6	19.9	16.1	15.9	52892-3095	30	
			20.6	18.9	15.1	14.9	-	-2895	28
			19.6	17.9	14.1	13.9	-	-2695	26
			18.6	16.9	13.1	12.9	-	-2495	24
			17.6	15.9	12.1	11.9	-	-2295	22
			16.6	14.9	11.1	10.9	-	-2095	20
			16.1	14.4	10.6	10.4	-	-1995	19
			15.6	13.9	10.1	9.9	-	-1895	18
			15.1	13.4	9.6	9.4	-	-1795	17
			14.6	12.9	9.1	8.9	-	-1695	16
24	29.4	25.4	14.1	12.4	8.6	8.4	-	-1595	15
			13.6	11.9	8.1	7.9	-	-1495	14
			13.1	11.4	7.6	7.4	-	-1395	13
			12.6	10.9	7.1	6.9	-	-1295	12
			12.1	10.4	6.6	6.4	-	-1195	11
			11.6	9.9	6.1	5.9	-	-1095	10
			10.6	8.9	5.1	4.9	-	52892-0895	8
			10.6	8.9	5.1	4.9	-	52892-0895	8
			10.6	8.9	5.1	4.9	-	52892-0895	8
			10.6	8.9	5.1	4.9	-	52892-0895	8

REVISED E.C. NO. J2005-1026 DRAWN: SASAMOR 2004/10/06 CHECKED: TOJO 2004/10/07 APPR: NIKITA 2004/10/12 REVISION DESCRIPTION 10 UNDER ±0.2 10 OVER 30 UNDER ±0.25 30 OVER ±0.3 ANGULAR ±3 DRAFT WHERE APPLICABLE MUST REMAIN WITHIN DIMENSIONS	GENERAL TOLERANCES (UNLESS SPECIFIED)	DIMENSION STYLE MM ONLY	SCALE ---	DESIGN UNITS METRIC	THIRD ANGLE PROJECTION	
	DRAWN BY M. NABEI	DATE 2004/01/09	TITLE EMBOSSED TAPE PACKAGE FOR 0.5 FPC CONN. -LEAD FREE-			
	CHECKED BY M. SASAO	DATE 2004/01/09	APPROVED BY M. SASAO	DATE 2004/01/09	MOLEX INCORPORATED	
	MATERIAL NO. 52892-***95	DOCUMENT NO. SD-52892-041	SHEET NO. 2 OF 2			