

Excellent Integrated System Limited

Stocking Distributor

Click to view price, real time Inventory, Delivery & Lifecycle Information:

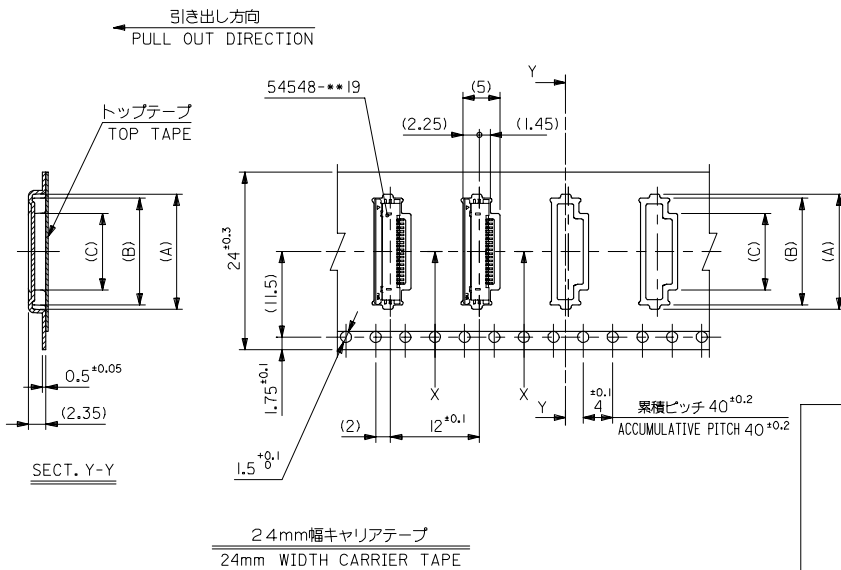
[Molex Connector Corporation](#)
[0545481070](#)

For any questions, you can email us directly:

sales@integrated-circuit.com

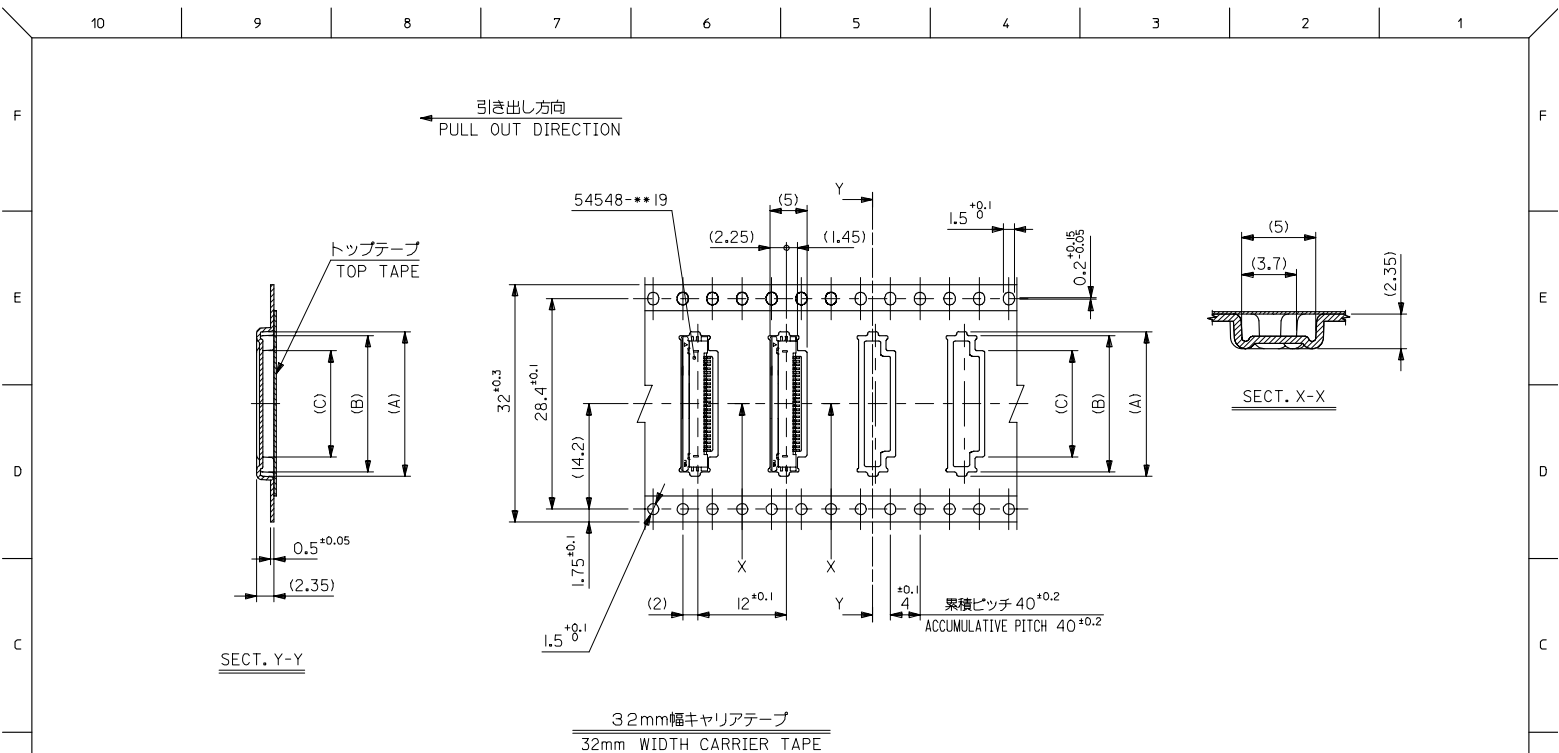
10 9 8 7 6 5 4 3 2 1

F
E
D
C
B
A



24	29.4	25.4	12.3	16.4	17.5	54548-2270	22	
			11.8	15.9	17	54548-2170	21	
			11.3	15.4	16.5	54548-2070	20	
			10.8	14.9	16	54548-1970	19	
			10.3	14.4	15.5	54548-1870	18	
			9.8	13.9	15	54548-1770	17	
			9.3	13.4	14.5	54548-1670	16	
			8.8	12.9	14	54548-1570	15	
			8.3	12.4	13.5	54548-1470	14	
			7.8	11.9	13	54548-1370	13	
			7.3	11.4	12.5	54548-1270	12	
			6.8	10.9	12	54548-1170	11	
			6.3	10.4	11.5	54548-1070	10	
			5.8	9.9	11	54548-0970	9	
5.3	9.4	10.5	54548-0870	8				
4.8	8.9	10	54548-0770	7				
キャリアテープ幅 CARRIER TAPE WIDTH		E	D	(C)	(B)	(A)	製品番号 MATERIAL No.	種数 CIRCUIT

REVISED EC NO: J2005-2516 DRAWN: MBEI CHK: KIOYODA APP: NIKITA	DESCRIPTION 2005/02/28 2005/02/28 2005/03/07	GENERAL TOLERANCES (UNLESS SPECIFIED)		DIMENSION STYLE MM ONLY		SCALE 2:1	DESIGN UNITS METRIC	THIRD ANGLE PROJECTION	
		10 UNDER	± 0.2	DRAWN BY Y. WADA	DATE 2004/01/09	TITLE EMBSTP PKG FOR 0.5 FPC CONN ZIF HSG ASSY -LEAD FREE-			
		10 OVER 30 UNDER	± 0.25	CHECKED BY M. SASAO	DATE 2004/01/09	MOLEX INCORPORATED			
		30 OVER	± 0.3	APPROVED BY M. SASAO	DATE 2004/01/09	MATERIAL NO. SEE CHART	DOCUMENT NO. SD-54548-038	SHEET NO. 3 OF 4	
ANGULAR ± 3 °		DRAFT WHERE APPLICABLE MUST REMAIN WITHIN DIMENSIONS		THIS DRAWING CONTAINS INFORMATION THAT IS PROPRIETARY TO MOLEX INCORPORATED AND SHOULD NOT BE USED WITHOUT WRITTEN PERMISSION					



32mm幅キャリアテープ
32mm WIDTH CARRIER TAPE

32	37.4	33.4	14.3	18.4	19.5	54548-2670	26
キャリアテープ幅 CARRIER TAPE WIDTH	E	D	(C)	(B)	(A)	製品番号 MATERIAL No.	極数 CIRCUIT
						54548-***70	MODEL NO.

REVISED E.C. NO.: J2005-2516 DRAWN: MABEI 2005/02/28 CHECKED: CHIKAKI 2005/02/28 APPROVED: NIKITA 2005/03/07 REVISION DESCRIPTION 10 UNDER ±0.2 10 OVER 30 UNDER ±0.25 30 OVER ±0.3 ANGULAR ±3° DRAFT WHERE APPLICABLE MUST REMAIN WITHIN DIMENSIONS	GENERAL TOLERANCES (UNLESS SPECIFIED)	DIMENSION STYLE MM ONLY	SCALE 2:1	DESIGN UNITS METRIC	THIRD ANGLE PROJECTION	
	DRAWN BY: Y. WADA CHECKED BY: M. SASAO APPROVED BY: M. SASAO DATE: 2004/01/09	TITLE EMBSTP PKG FOR 0.5 FPC CONN ZIF HSG ASSY -LEAD FREE-				
	MATERIAL NO. SEE CHART		DOCUMENT NO. SD-54548-038		SHEET NO. 4 OF 4	
	THIS DRAWING CONTAINS INFORMATION THAT IS PROPRIETARY TO MOLEX INCORPORATED AND SHOULD NOT BE USED WITHOUT WRITTEN PERMISSION					