

## Excellent Integrated System Limited

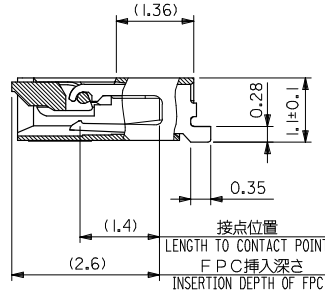
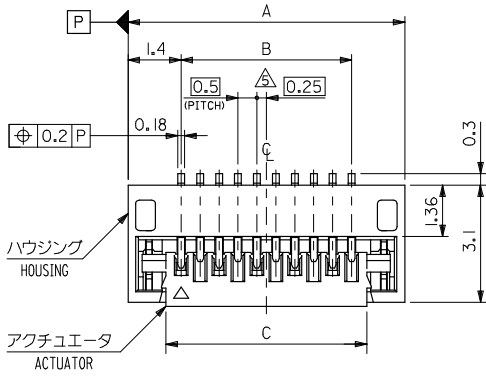
Stocking Distributor

Click to view price, real time Inventory, Delivery & Lifecycle Information:

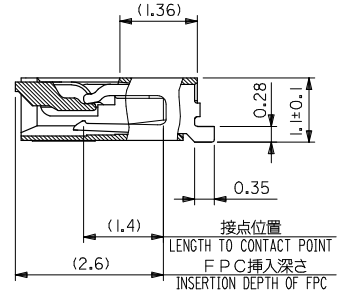
[Molex Connector Corporation](#)  
[51441-1893](#)

For any questions, you can email us directly:

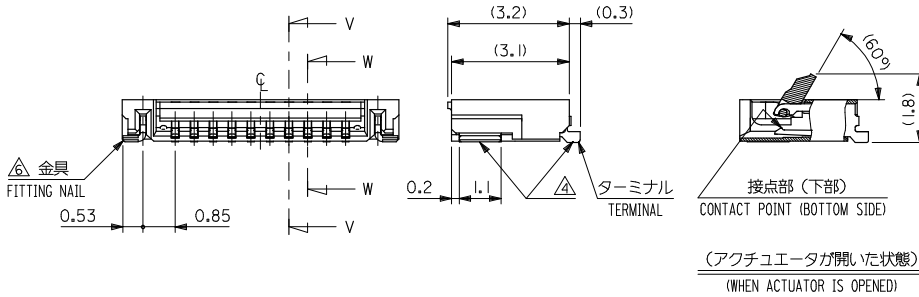
[sales@integrated-circuit.com](mailto:sales@integrated-circuit.com)



断面 V-V 奇数極  
SECT. V-V (Scale 15:1) (ODD CIRCUIT)

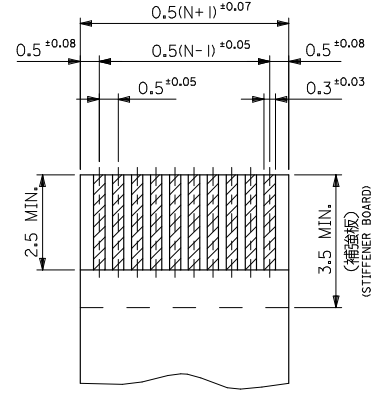
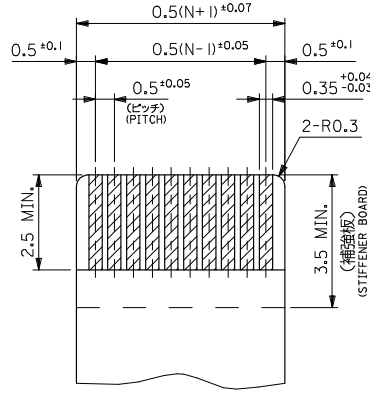
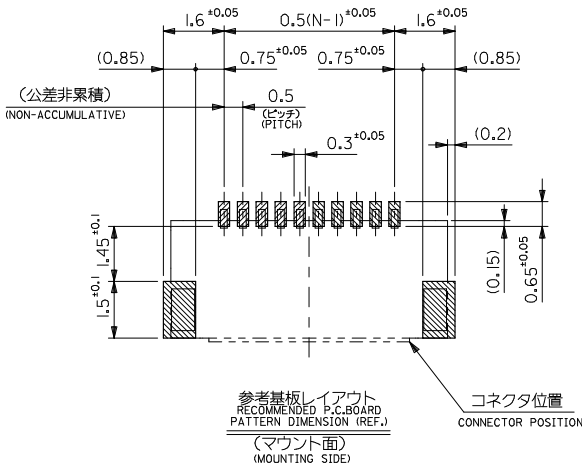


断面 W-W 偶数極  
SECT. W-W (Scale 15:1) (EVEN CIRCUIT)



12.3	11.5	14.3	51441-2493	51441-2441	24
11.3	10.5	13.3	51441-2293	51441-2241	22
10.3	9.5	12.3	51441-2093	51441-2041	20
9.3	8.5	11.3	51441-1893	51441-1841	18
8.8	8.0	10.8	51441-1793	51441-1741	17
8.3	7.5	10.3	51441-1693	51441-1641	16
6.8	6.0	8.8	51441-1393	51441-1341	13
6.3	5.5	8.3	51441-1293	51441-1241	12
5.8	5.0	7.8	51441-1193	51441-1141	11
5.3	4.5	7.3	51441-1093	51441-1041	10
4.8	4.0	6.8	51441-0993	51441-0941	9
4.3	3.5	6.3	51441-0893	51441-0841	8
3.8	3.0	5.8	51441-0793	51441-0741	7
3.3	2.5	5.3	51441-0693	51441-0641	6
C	B	A	EMBOSSSED TAPE ORDER No. オータ-番号	製品番号 MATERIAL No.	極数 CIRCUIT
			51441-***41	MODEL NO.	

REVISED EC NO.: J2008-4048 DRAWN BY: DRWNHABE CHKD: HARUYAMA APPR: NIKITA	GENERAL TOLERANCES (UNLESS SPECIFIED)		DIMENSION STYLE MM ONLY		SCALE 10:1		DESIGN UNITS METRIC		THIRD ANGLE PROJECTION	
	10 UNDER	± 0.2	DRAWN BY M. HAYASHI		DATE 2003/12/22		TITLE 0.5 FPC CONN. E/O HSG ASSY BTM CONT(H=1.1) -LEAD FREE-			
	10 OVER 30 UNDER	± 0.25	CHECKED BY K. TOJO		DATE 2003/12/22					
	30 OVER	± 0.3	APPROVED BY M. SASAO		DATE 2003/12/22		MOLEX INCORPORATED		SHEET NO. 1 OF 2	
ANGULAR	± 3 °	DRAFT WHERE APPLICABLE MUST REMAIN WITHIN DIMENSIONS		MATERIAL NO. SEE TABLE		DOCUMENT NO. SD-51441-007		THIS DRAWING CONTAINS INFORMATION THAT IS PROPRIETARY TO MOLEX INCORPORATED AND SHOULD NOT BE USED WITHOUT WRITTEN PERMISSION		



適合FPC推奨寸法  
APPLICABLE FPC  
RECOMMENDED DIMENSION  
(仕上がり厚さ: 0.3±0.03)  
(THICKNESS: 0.3±0.03)

適合FPC推奨寸法  
APPLICABLE FPC  
RECOMMENDED DIMENSION  
(仕上がり厚さ: 0.3±0.03)  
(THICKNESS: 0.3±0.03)

注記 NOTES

1. 使用材料 MATERIAL

- ハウジング HOUSING: 液晶ポリマー ガラス充填, UL94V-0 (ベージュ)
- ハウジング HOUSING: LIQUID CRYSTAL POLYMER GLASS FILLED, UL94V-0(BEIGE)
- アクチュエータ ACTUATOR: ポリフエニレンサルファイド ガラス充填, UL94V-0 (黒)
- アクチュエータ ACTUATOR: POLYPHENYLENE SULFIDE GLASS FILLED, UL94V-0(BLACK)
- ターミナル TERMINAL: リン青銅 (t=0.18)
- ターミナル TERMINAL: PHOSPOR BRONZE
- 金具 FITTING NAIL: リン青銅 (t=0.15)
- 金具 FITTING NAIL: PHOSPOR BRONZE

2. メッキ仕様 PLATING

- ターミナル TERMINAL: ニッケル下地鍍ピスマスメッキ
- ターミナル TERMINAL: TIN-BISMUTH (LEAD FREE) OVER NICKEL PLATING
- 金具 FITTING NAIL: ニッケル下地鍍メッキ
- 金具 FITTING NAIL: PURE TIN (LEAD FREE) OVER NICKEL PLATING

- 3. エンボステープ梱包時は、アクチュエータが閉じた状態とする。  
IN THE PACKAGE, ACTUATOR OF PART NO.51441-\*\*\*11 SHOULD BE CLOSED.
- △ソルダータール及び金具の平坦度は、0.1以下。  
SOLDER TAIL AND FITTING NAIL COPLANARITY TO BE 0.1 MAXIMUM.
- △偶数端子に適用。  
APPLY FOR EVEN CIRCUIT.
- △パターンはくり止め用金具  
FITTING NAIL FOR PREVENTION OF PEELING OF PCB PATTERN.
- 7. この製品は 51441-\*\*\*11 及び 51441-\*\*\*31 の鉛フリー品です。  
THIS PRODUCT IS LEAD FREE ITEM OF 51441-\*\*\*11 AND 51441-\*\*\*31.

FPC/FFCについて:

- 打抜き方向は導体側から補強板側を推奨いたします。  
導体側については軟銅箔35マイクロメートルまたは50マイクロメートルを推奨いたします。
- ABOUT FPC/FFC  
RECOMMENDED PUNCHER DIRECTION : FROM CONDUCTOR SIDE TO STIFFENER FILM SIDE.  
RECOMMENDED CONDUCTOR SPEC :  
THICKNESS OF SOFT COPPER FOIL : 35 MICROMETER OR 50 MICROMETER

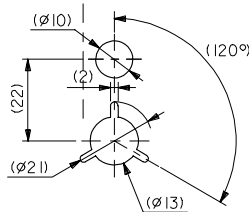
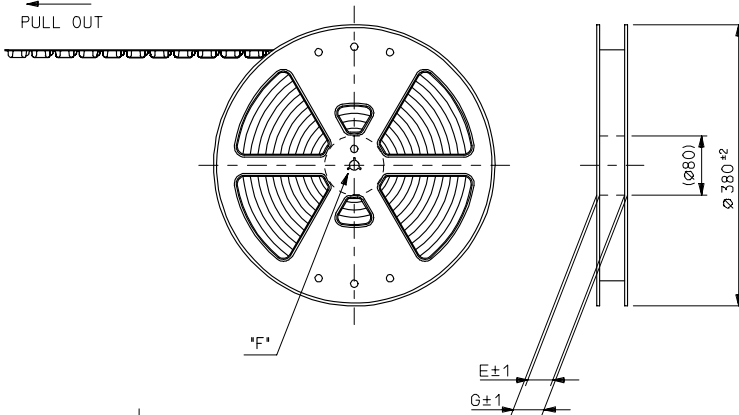
FPCについて:

- 補強フィルム材質はポリイミドを推奨します。  
接着剤は熱硬化接着剤を推奨します。
- ABOUT FPC  
RECOMMENDED MATERIAL :  
STIFFENER FILM : POLYIMIDE  
BONDING AGENT : THERMOSETTING BONDING AGENT

REVISED EC NO.: J2008-4048 DRAWN BY: HINABE CHKD: HARUYAMA APPR: NIKITA	DESCRIPTION	GENERAL TOLERANCES (UNLESS SPECIFIED)		DIMENSION STYLE MM ONLY		51441-***41		MODEL NO.		
						SCALE 10:1	DESIGN UNITS METRIC	THIRD ANGLE PROJECTION		
		10 UNDER	± 0.2	DRAWN BY M. HAYASHI	DATE 2003/12/22	TITLE 0.5 FPC CONN. E/O HSG ASSY BTM CONT(H=1.1) -LEAD FREE-				
		10 OVER 30 UNDER	± 0.25	CHECKED BY K. TOJO	DATE 2003/12/22	MOLEX INCORPORATED				
		30 OVER	± 0.3	APPROVED BY M. SASAO	DATE 2003/12/22	DOCUMENT NO. SD-51441-007		SHEET NO. 2 OF 2		
		ANGULAR ±3 °		MATERIAL NO. SEE SHEET 1		THIS DRAWING CONTAINS INFORMATION THAT IS PROPRIETARY TO MOLEX INCORPORATED AND SHOULD NOT BE USED WITHOUT WRITTEN PERMISSION				
		DRAFT WHERE APPLICABLE MUST REMAIN WITHIN DIMENSIONS		SIZE A3		EN-02JA(021)				

10 9 8 7 6 5 4 3 2 1

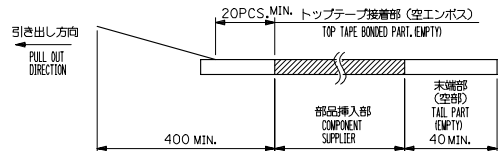
引き出し方向  
PULL OUT



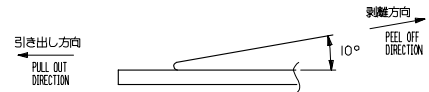
DETAIL "F"

**注記 NOTES**

1. 製品詳細寸法については、図面SD-51441-007を参照下さい。  
RE DETAILED DIMENSION, SEE SD-51441-007.
2. 梱包数量: 3000個/リール  
NUMBER OF CONNECTORS: 3000PCS/REEL
3. リードテープ長さ LEAD TAPE LENGTH



4. トップテープの剥離強度: 0.1N~1.3N [10.2gf~130gf]  
(剥離方向は下記参照)  
尚、本規格値は出荷時に適用。(但し、輸送時に剥離が発生しないこと。)  
PEELING OFF FORCE OF TOP TAPE: 0.1N~1.3N(10gf~130gf)  
(PEELING DIRECTION AS SHOWN IN FOLLOWING FIG.)  
THIS REQUIREMENT SHOULD BE APPLIED AT SHIPMENT.  
PEEL OFF SHOULD NOT BE ALLOWED, DURING TRANSPORTATION.

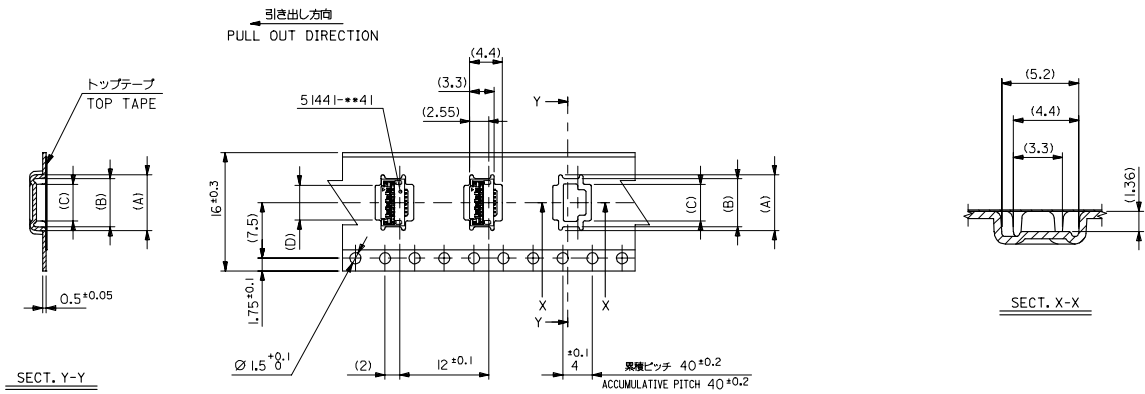


5. 材料 (MATERIAL)  
キャリアテープ (CARRIER TAPE): ポリプロピレン (POLYPROPYLENE)  
トップテープ (TOP TAPE): PET, PE, PEF  
リール (REEL): ポリスチレン (PS) <リサイクル材を含む>  
POLYSTYRENE(PS) <RECYCLE MATERIAL CONTAINED>
6. この製品は51441-0090及び51441-0092の鉛フリー品です。  
THIS PRODUCT IS LEAD FREE ITEM OF 51441-0090 AND 51441-0092.

REVISED EC NO: J2006-0858 DRAWN BY: 2005/09/09 CHIKDKIYODIA APPER,NIKITA 2005/09/15	GENERAL TOLERANCES (UNLESS SPECIFIED)		DIMENSION STYLE MM ONLY	SCALE ---	51441-0093	MODEL No.
	10 UNDER	±0.2	DRAWN BY M.HAYASHI	DATE '03/12/22	DESIGN UNITS METRIC	THIRD ANGLE PROJECTION
	10 OVER 30 UNDER	±0.25	CHECKED BY K.TOJO	DATE '03/12/22	TITLE EMBSTP PKG FOR 0.5 FPC CONN E/O BTM CONT H=1.1 -LEAD FREE-	
	30 OVER	±0.3	APPROVED BY M.SASAO	DATE '03/12/22	MOLEX INCORPORATED	
	ANGULAR ±3°		MATERIAL NO. SEE CHART	DOCUMENT NO. SD-51441-008	SHEET NO. 1 OF 3	
	DRAFT WHERE APPLICABLE MUST REMAIN WITHIN DIMENSIONS		SIZE A3 THIS DRAWING CONTAINS INFORMATION THAT IS PROPRIETARY TO MOLEX INCORPORATED AND SHOULD NOT BE USED WITHOUT WRITTEN PERMISSION			

10 9 8 7 6 5 4 3 2 1

F  
E  
D  
C  
B  
A



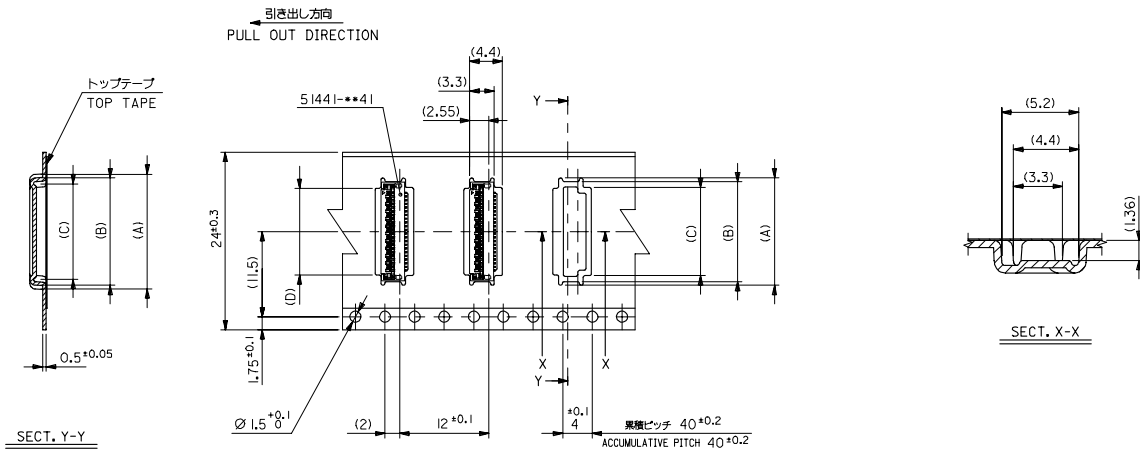
16mm幅キャリアテープ  
16mm WIDTH CARRIER TAPE

16	21.4	17.4	4.7	4.89	6.5	7.5	51441-0893	8
			4.2	4.39	6	7	51441-0793	7
キャリアテープ幅 CARRIER TAPE WIDTH			G	E	(D)	(C)	(B)	(A)

REVISED EC NO: J2006-0858 DRAWN: MABEI CHK: KIKUYODIA APPR: NIKITA 2005/09/09 2005/09/12 2005/09/15	DESCRIPTION	GENERAL TOLERANCES (UNLESS SPECIFIED)	DIMENSION STYLE	SCALE	DESIGN UNITS	MODEL No.	
	10 UNDER	±0.2	MM ONLY	---	METRIC	THIRD ANGLE PROJECTION	
	10 OVER 30 UNDER	±0.25					
	30 OVER	±0.3					
	ANGULAR	±3°					
REV A	DESCRIPTION	DRAFT WHERE APPLICABLE MUST REMAIN WITHIN DIMENSIONS	DRAWN BY	DATE	TITLE		
			M. HAYASHI	'03/12/22	EMBSTP PKG FOR 0.5 FPC CONN E/O BTM CONT H=1.1 -LEAD FREE-		
			CHECKED BY	DATE			
			K. TOJO	'03/12/22			
			APPROVED BY	DATE			
			M. SASAO	'03/12/22			
			MATERIAL NO.	DOCUMENT NO.		SHEET NO.	
			SEE CHART	SD-51441-008		2 OF 3	
			THIS DRAWING CONTAINS INFORMATION THAT IS PROPRIETARY TO MOLEX INCORPORATED AND SHOULD NOT BE USED WITHOUT WRITTEN PERMISSION				

10 9 8 7 6 5 4 3 2 1

F  
E  
D  
C  
B  
A



24mm幅キャリアテープ  
24mm WIDTH CARRIER TAPE

24	29.4	25.4	12.7	12.89	14.5	15.5	51441-2493	24		
			11.7	11.89	13.5	14.5	51441-2293	22		
			10.7	10.89	12.5	13.5	51441-2093	20		
			9.7	9.89	11.5	12.5	51441-1893	18		
			9.2	9.39	11	12	51441-1793	17		
			8.7	8.89	10.5	11.5	51441-1693	16		
			7.2	7.39	9	10	51441-1393	13		
			6.7	6.89	8.5	9.5	51441-1293	12		
			6.2	6.39	8	9	51441-1193	11		
			5.7	5.89	7.5	8.5	51441-1093	10		
5.2	5.39	7	8	51441-0993	9					
キャリアテープ幅 CARRIER TAPE WIDTH			G	E	(D)	(C)	(B)	(A)	MATERIAL NO.	巻数 CKT.

REVISIONS REVISED EC NO: J2006-0858 DRAWN: MABEI 2005/09/09 CHKDK: TOYODA 2005/09/12 APPR: NIKITA 2005/09/15	GENERAL TOLERANCES (UNLESS SPECIFIED)		DIMENSION STYLE MM ONLY		SCALE ---	DESIGN UNITS METRIC	MODEL NO. 51441-**-93
	10 UNDER	±---	DRAWN BY M. HAYASHI	DATE '03/12/22	TITLE EMBSTP PKG FOR 0.5 FPC CONN E/O BTM CONT H=1.1 -LEAD FREE-		
	10 OVER 30 UNDER	±---	CHECKED BY K. TOJO	DATE '03/12/22	MOLEX INCORPORATED		
	30 OVER	±---	APPROVED BY M. SASAO	DATE '03/12/22	DOCUMENT NO. SD-51441-008		
A	ANGULAR	±---	MATERIAL NO. SEE CHART	SHEET NO. 3 OF 3		THIS DRAWING CONTAINS INFORMATION THAT IS PROPRIETARY TO MOLEX INCORPORATED AND SHOULD NOT BE USED WITHOUT WRITTEN PERMISSION	