

Excellent Integrated System Limited

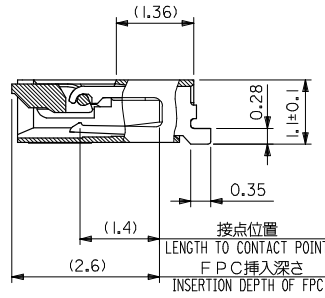
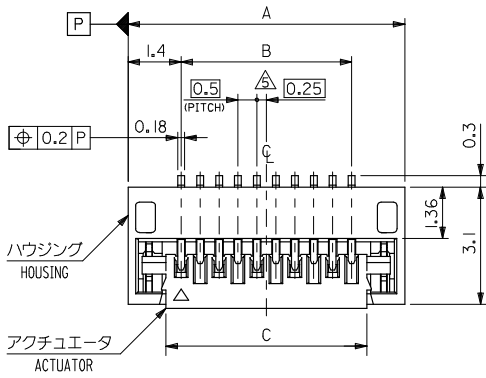
Stocking Distributor

Click to view price, real time Inventory, Delivery & Lifecycle Information:

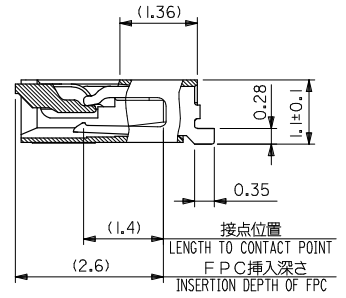
[Molex Connector Corporation](#)
[51441-2493](#)

For any questions, you can email us directly:

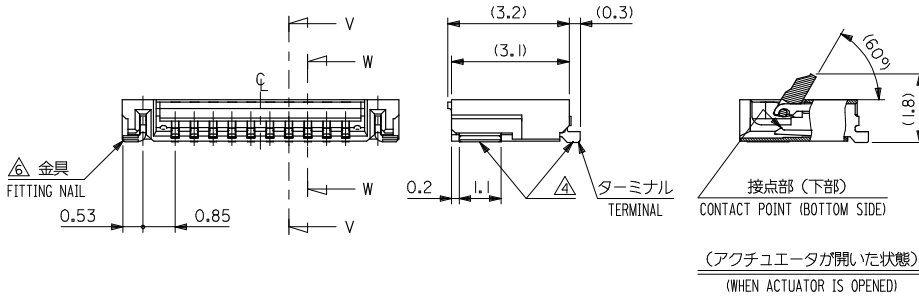
sales@integrated-circuit.com



断面 V-V 奇数極
SECT. V-V (Scale 15:1) (ODD CIRCUIT)

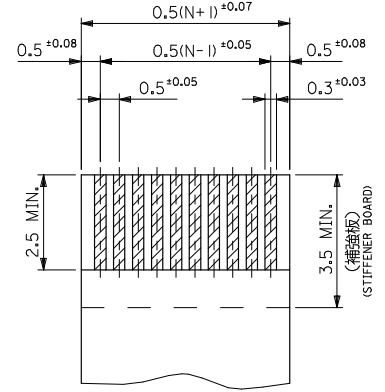
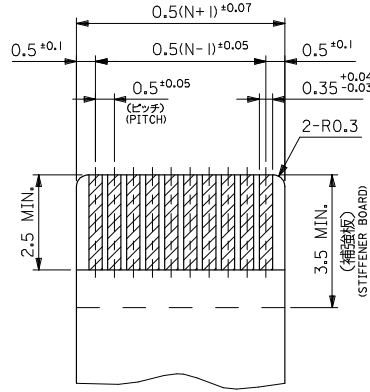
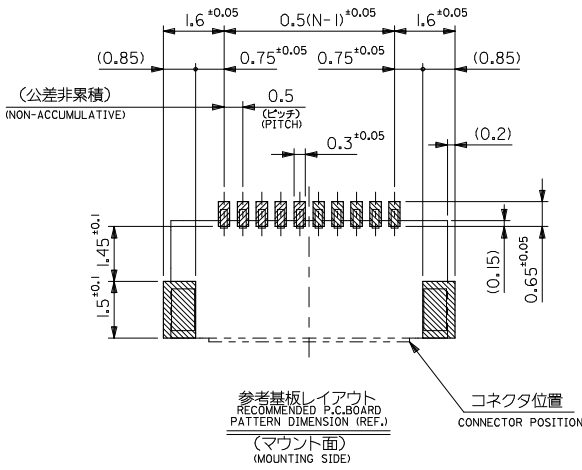


断面 W-W 偶数極
SECT. W-W (Scale 15:1) (EVEN CIRCUIT)



12.3	11.5	14.3	51441-2493	51441-2441	24
11.3	10.5	13.3	51441-2293	51441-2241	22
10.3	9.5	12.3	51441-2093	51441-2041	20
9.3	8.5	11.3	51441-1893	51441-1841	18
8.8	8.0	10.8	51441-1793	51441-1741	17
8.3	7.5	10.3	51441-1693	51441-1641	16
6.8	6.0	8.8	51441-1393	51441-1341	13
6.3	5.5	8.3	51441-1293	51441-1241	12
5.8	5.0	7.8	51441-1193	51441-1141	11
5.3	4.5	7.3	51441-1093	51441-1041	10
4.8	4.0	6.8	51441-0993	51441-0941	9
4.3	3.5	6.3	51441-0893	51441-0841	8
3.8	3.0	5.8	51441-0793	51441-0741	7
3.3	2.5	5.3	51441-0693	51441-0641	6
C	B	A	EMBOSSED TAPE ORDER No. オータ-番号	製品番号 MATERIAL No.	極数 CIRCUIT
			51441-***41	MODEL NO.	

REVISED EC NO.: J2008-4048 DRAWN BY: DRWNHABE CHKD: HARUYAMA APPR: NIKITA	GENERAL TOLERANCES (UNLESS SPECIFIED)		DIMENSION STYLE MM ONLY	SCALE 10:1	DESIGN UNITS METRIC	THIRD ANGLE PROJECTION
	10 UNDER	±0.2	DRAWN BY M. HAYASHI	DATE 2003/12/22	TITLE 0.5 FPC CONN. E/O HSG ASSY BTM CONT(H=1.1) -LEAD FREE-	
	10 OVER 30 UNDER	±0.25	CHECKED BY K. TOJO	DATE 2003/12/22	MOLEX INCORPORATED	
	30 OVER	±0.3	APPROVED BY M. SASAO	DATE 2003/12/22	MATERIAL NO. SEE TABLE	DOCUMENT NO. SD-51441-007
DESCRIPTION	ANGULAR	±3 °	DRAFT WHERE APPLICABLE MUST REMAIN WITHIN DIMENSIONS			
REV	THIS DRAWING CONTAINS INFORMATION THAT IS PROPRIETARY TO MOLEX INCORPORATED AND SHOULD NOT BE USED WITHOUT WRITTEN PERMISSION					



注記 NOTES

1. 使用材料 MATERIAL

- ハウジング HOUSING: 液漏ポリマー ガラス充填, UL94V-0 (ベージュ)
 - ハウジング HOUSING: LIQUID CRYSTAL POLYMER GLASS FILLED, UL94V-0(BEIGE)
 - アクチュエータ ACTUATOR: ポリフエニレンサルファイド ガラス充填, UL94V-0 (黒)
 - アクチュエータ ACTUATOR: POLYPHENYLENE SULFIDE GLASS FILLED, UL94V-0(BLACK)
 - ターミナル TERMINAL: リン青銅 (t=0.18)
 - ターミナル TERMINAL: PHOSPOR BRONZE
 - 金具 FITTING NAIL: リン青銅 (t=0.15)
 - 金具 FITTING NAIL: PHOSPOR BRONZE
2. メッキ仕様 PLATING
- ターミナル TERMINAL: ニッケル下地鍍ピスマスメッキ
 - ターミナル TERMINAL: TIN-BISMUTH (LEAD FREE) OVER NICKEL PLATING
 - 金具 FITTING NAIL: ニッケル下地鍍メッキ
 - 金具 FITTING NAIL: PURE TIN (LEAD FREE) OVER NICKEL PLATING

3. エンボステープ梱包時は、アクチュエータが閉じた状態とする。
IN THE PACKAGE, ACTUATOR OF PART NO.51441-***11 SHOULD BE CLOSED.
- △ソルダータール及び金具の平坦度は、0.1以下。
SOLDER TAIL AND FITTING NAIL COPLANARITY TO BE 0.1 MAXIMUM.
- △偶数端子に適用。
APPLY FOR EVEN CIRCUIT.
- △パターンはくり止め用金具
FITTING NAIL FOR PREVENTION OF PEELING OF PCB PATTERN.
7. この製品は 51441-***11 及び 51441-***31 の鉛フリー品です。
THIS PRODUCT IS LEAD FREE ITEM OF 51441-***11 AND 51441-***31.

FPC/FFCについて:

打抜き方向は導体側から補強板側を推奨いたします。
導体側については軟銅箔35マイクロメートルまたは50マイクロメートルを推奨いたします。

ABOUT FPC/FFC
RECOMMENDED PUNCHER DIRECTION : FROM CONDUCTOR SIDE TO STIFFENER FILM SIDE.
RECOMMENDED CONDUCTOR SPEC :
THICKNESS OF SOFT COPPER FOIL : 35 MICROMETER OR 50 MICROMETER

FPCについて:

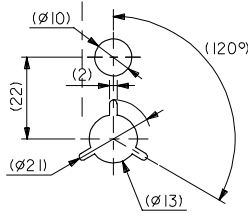
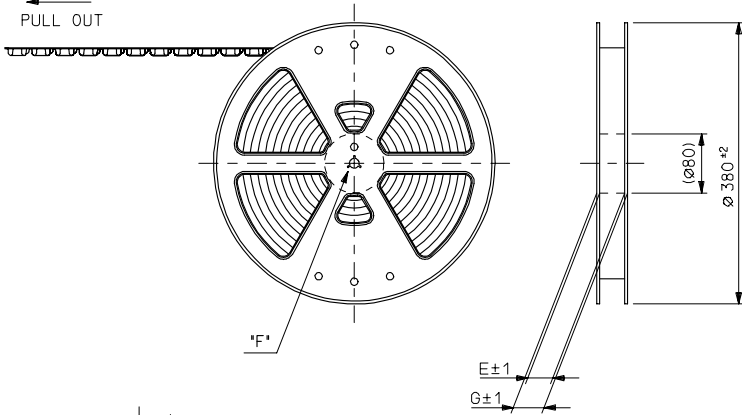
補強フィルム材質はポリイミドを推奨します。
接着剤は熱硬化接着剤を推奨します。

ABOUT FPC
RECOMMENDED MATERIAL :
STIFFENER FILM : POLYIMIDE
BONDING AGENT : THERMOSETTING BONDING AGENT

REVISED EC NO.: J2008-4048 DRAWN BY: HINAGAI CHKD: HARUYAMA APPR: NIKITA	DESCRIPTION	GENERAL TOLERANCES (UNLESS SPECIFIED)		DIMENSION STYLE MM ONLY		51441-***41		MODEL NO.		
						SCALE 10:1	DESIGN UNITS METRIC	THIRD ANGLE PROJECTION		
		10 UNDER	± 0.2	DRAWN BY M. HAYASHI	DATE 2003/12/22	TITLE 0.5 FPC CONN. E/O HSG ASSY BTM CONT(H=1.1) -LEAD FREE-				
		10 OVER 30 UNDER	± 0.25	CHECKED BY K. TOJO	DATE 2003/12/22	MOLEX INCORPORATED				
		30 OVER	± 0.3	APPROVED BY M. SASAO	DATE 2003/12/22	DOCUMENT NO. SD-51441-007		SHEET NO. 2 OF 2		
		ANGULAR ±3 °		MATERIAL NO. SEE SHEET 1		THIS DRAWING CONTAINS INFORMATION THAT IS PROPRIETARY TO MOLEX INCORPORATED AND SHOULD NOT BE USED WITHOUT WRITTEN PERMISSION				
		DRAFT WHERE APPLICABLE MUST REMAIN WITHIN DIMENSIONS		SIZE A3						

10 9 8 7 6 5 4 3 2 1

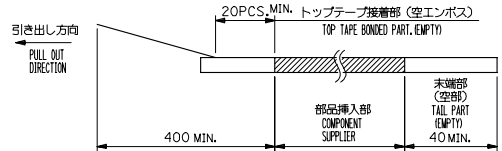
引き出し方向
PULL OUT



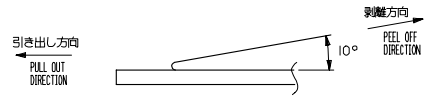
DETAIL "F"

注記 NOTES

- 製品詳細寸法については、図面SD-51441-007を参照下さい。
RE DETAILED DIMENSION, SEE SD-51441-007.
- 梱包数量: 3000個/リール
NUMBER OF CONNECTORS: 3000PCS/REEL
- リードテープ長さ LEAD TAPE LENGTH



- トップテープの剥離強度: 0.1N~1.3N [10.2gf~130gf]
(剥離方向は下記参照)
尚、本規格値は出荷時に適用。(但し、輸送時に剥離が発生しないこと。)
PEELING OFF FORCE OF TOP TAPE: 0.1N ~ 1.3N (10gf ~ 130gf)
(PEELING DIRECTION AS SHOWN IN FOLLOWING FIG.)
THIS REQUIREMENT SHOULD BE APPLIED AT SHIPMENT.
PEEL OFF SHOULD NOT BE ALLOWED, DURING TRANSPORTATION.



- 材料 (MATERIAL)
キャリアテープ (CARRIER TAPE): ポリプロピレン (POLYPROPYLENE)
トップテープ (TOP TAPE): PET, PE, PEF
リール (REEL): ポリスチレン (PS) <リサイクル材を含む>
POLYSTYRENE (PS) <RECYCLE MATERIAL CONTAINED>
- この製品は51441-***90及び51441-***92の鉛フリー品です。
THIS PRODUCT IS LEAD FREE ITEM OF 51441-***90 AND 51441-***92.

REVISED		EC NO: J2006-0858		2005/09/09		DRAWN BY		2005/09/12		2005/09/15		51441-***93		MODEL No.	
A		DRWN: MABEI		CHK: KIKUYODIA		APP: R. NIKITA		M. HAYASHI		K. TOJO		M. SASAO		MOLEX INCORPORATED	
GENERAL TOLERANCES (UNLESS SPECIFIED)				DIMENSION STYLE				SCALE		DESIGN UNITS		THIRD ANGLE PROJECTION			
10 UNDER ±0.2				MM ONLY				---		METRIC		☉			
10 OVER 30 UNDER ±0.25				DRAWN BY DATE				TITLE							
30 OVER ±0.3				CHECKED BY DATE				EMBSTP PKG FOR 0.5 FPC							
ANGULAR ±3 °				APPROVED BY DATE				CONN E/O BTM CONT H=1.1							
DRAFT WHERE APPLICABLE MUST REMAIN WITHIN DIMENSIONS				MATERIAL NO.				SEE CHART		SD-51441-008		1 OF 3			
				SIZE				THIS DRAWING CONTAINS INFORMATION THAT IS PROPRIETARY TO MOLEX INCORPORATED AND SHOULD NOT BE USED WITHOUT WRITTEN PERMISSION							

10 9 8 7 6 5 4 3 2 1

F

E

D

C

B

A

F

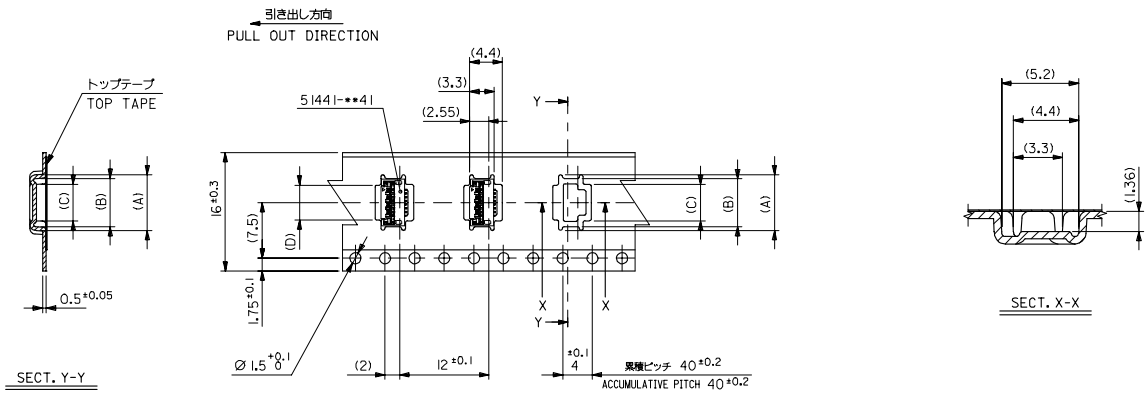
E

D

C

B

A



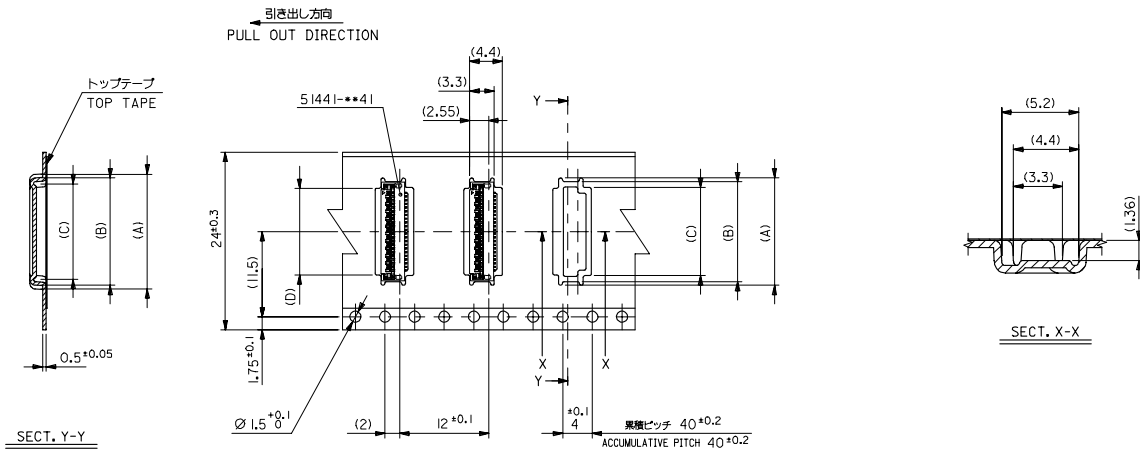
16mm幅キャリアテープ
16mm WIDTH CARRIER TAPE

16	21.4	17.4	4.7	4.89	6.5	7.5	51441-0893	8
			4.2	4.39	6	7	51441-0793	7
キャリアテープ幅 CARRIER TAPE WIDTH			G	E	(D)	(C)	(B)	(A)

REVISED EC NO: J2006-0858 DRAWN: MABEI CHK: KIKUYODIA APPR: NIKITA 2005/09/09 2005/09/12 2005/09/15	DESCRIPTION	GENERAL TOLERANCES (UNLESS SPECIFIED)	DIMENSION STYLE MM ONLY	SCALE ---	DESIGN UNITS METRIC	MODEL No. THIRD ANGLE PROJECTION
	10 UNDER	±0.2	DRAWN BY M. HAYASHI	DATE '03/12/22	TITLE EMBSTP PKG FOR 0.5 FPC CONN E/O BTM CONT H=1.1 -LEAD FREE-	
	10 OVER 30 UNDER	±0.25	CHECKED BY K. TOJO	DATE '03/12/22	MATERIAL NO. 51441-***93	
	30 OVER	±0.3	APPROVED BY M. SASAO	DATE '03/12/22	MOLEX INCORPORATED	
	ANGULAR	±3°	DRAFT WHERE APPLICABLE MUST REMAIN WITHIN DIMENSIONS	MATERIAL NO. SEE CHART	DOCUMENT NO. SD-51441-008	SHEET NO. 2 OF 3

10 9 8 7 6 5 4 3 2 1

F
E
D
C
B
A



24mm幅キャリアテープ
24mm WIDTH CARRIER TAPE

24	29.4	25.4	12.7	12.89	14.5	15.5	51441-2493	24		
			11.7	11.89	13.5	14.5	51441-2293	22		
			10.7	10.89	12.5	13.5	51441-2093	20		
			9.7	9.89	11.5	12.5	51441-1893	18		
			9.2	9.39	11	12	51441-1793	17		
			8.7	8.89	10.5	11.5	51441-1693	16		
			7.2	7.39	9	10	51441-1393	13		
			6.7	6.89	8.5	9.5	51441-1293	12		
			6.2	6.39	8	9	51441-1193	11		
			5.7	5.89	7.5	8.5	51441-1093	10		
5.2	5.39	7	8	51441-0993	9					
キャリアテープ幅 CARRIER TAPE WIDTH			G	E	(D)	(C)	(B)	(A)	MATERIAL NO.	巻数 CKT.

REVISED EC NO: J2006-0858 DRAWN: MABEI CHKD: K. TOYODA APP: R. NIKITA	DESCRIPTION GENERAL TOLERANCES (UNLESS SPECIFIED)	10 UNDER	±---	DIMENSION STYLE MM ONLY	SCALE ---	DESIGN UNITS METRIC	MODEL NO. 51441-**-93	
		10 OVER 30 UNDER	±---	DRAWN BY M. HAYASHI	DATE '03/12/22	TITLE EMBSTP PKG FOR 0.5 FPC CONN E/O BTM CONT H=1.1 -LEAD FREE-	THIRD ANGLE PROJECTION	
		30 OVER	±---	CHECKED BY K. TO JO	DATE '03/12/22	APPROVED BY M. SASAO	DATE '03/12/22	MOLEX INCORPORATED
		ANGULAR	±---	MATERIAL NO. SEE CHART	DOCUMENT NO. SD-51441-008	SHEET NO. 3 OF 3		
REV A	DRAFT WHERE APPLICABLE MUST REMAIN WITHIN DIMENSIONS	THIS DRAWING CONTAINS INFORMATION THAT IS PROPRIETARY TO MOLEX INCORPORATED AND SHOULD NOT BE USED WITHOUT WRITTEN PERMISSION						