



**Distributor of NorComp : Excellent Integrated System Limited**

Datasheet of 68017W2103L201 - D-Sub Connector Plug, Male Pins 17 (15 + 2 Power) Position  
Free Hanging (In-Line) Solder Cup

Contact us: [sales@integrated-circuit.com](mailto:sales@integrated-circuit.com) Website: [www.integrated-circuit.com](http://www.integrated-circuit.com)

---

## **Excellent Integrated System Limited**

Stocking Distributor

Click to view price, real time Inventory, Delivery & Lifecycle Information:

[NorComp](#)

[68017W2103L201](#)

For any questions, you can email us directly:

[sales@integrated-circuit.com](mailto:sales@integrated-circuit.com)

DESCRIPTION: POWER / SIGNAL - SOLDER CUP - MALE

Contact us: [sales@integrated-circuit.com](mailto:sales@integrated-circuit.com) Website: [www.integrated-circuit.com](http://www.integrated-circuit.com)

**SPECIFICATIONS:**

**ELECTRICAL:**

INSULATOR RESISTANCE: 5,000 MegOHMS Min.  
 DIELECTRIC WITHSTANDING: 1,000VAC r.m.s.  
 OPERATING TEMPERATURE: -55° C ~ +125° C  
 CONTACT RESISTANCE: 30 Milliohms Max.  
 POWER PINS: SEE PART No. BELOW  
 SIGNAL PINS: 3 AMPS

**MECHANICAL:**

CONTACT INSERTION FORCE: 4.5 Kg Max.  
 CONTACT SEPARATOR FORCE: 0.3Kg Min.

**MATERIALS:**

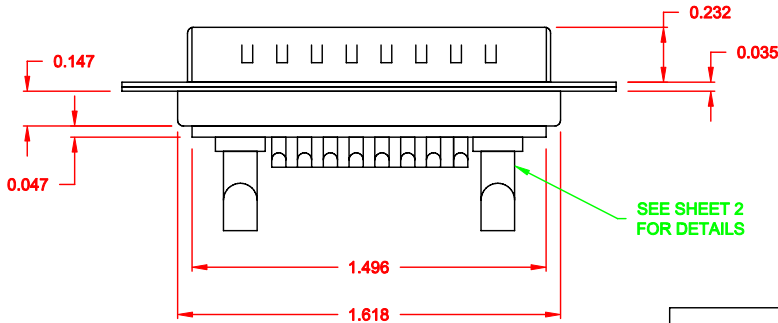
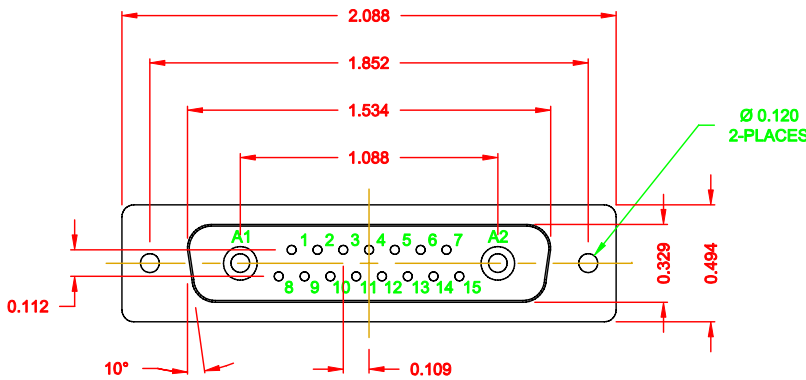
CONTACTS: BRASS  
 INSULATOR: PBT UL94V-0 RATED,  
 230°C PROCESS TEMP.  
 STEEL

SHELL:

FINISH:

SHELL:

NICKEL



**68017W2103LYY1**

20 = 20 AMPS  
 40 = 40 AMPS

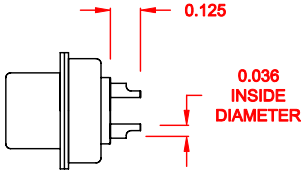
**RoHS COMPLIANT**

	THESE DRAWINGS AND SPECIFICATIONS ARE THE PROPERTY OF NorComp AND SHALL NOT BE REPRODUCED, COPIED OR USED AS THE BASIS FOR THE MANUFACTURE OR SALE OF APPARATUS WITHOUT WRITTEN PERMISSION.		DRAWN: <b>C. SMITH</b>	DATE: <b>09-13-06</b>
			CHECKED:	DATE:
<b>NorComp</b>		SCALE: 1.5 = 1	SHEET 1 OF 2	REV 1
		DWG NO. <b>68017W2103LYY1</b>		

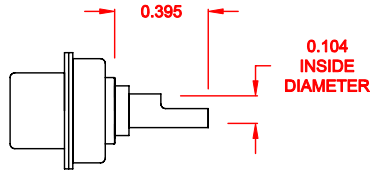
DESCRIPTION: 680 SERIES CONTACTS

Contact us: [sales@integrated-circuit.com](mailto:sales@integrated-circuit.com) Website: [www.integrated-circuit.com](http://www.integrated-circuit.com)

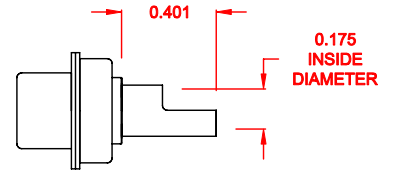
**NOTE:**  
SIGNAL AND POWER CONTACTS  
COME PRE-LOADED INTO INSULATORS



**SIGNAL CONTACTS**  
ACCEPTS UP TO 20 AWG WIRE



**20 AMP POWER CONTACTS**  
ACCEPTS UP TO 12 AWG WIRE



**40 AMP POWER CONTACTS**  
ACCEPTS UP TO 8 AWG WIRE

**RoHS COMPLIANT**

	THESE DRAWINGS AND SPECIFICATIONS ARE THE PROPERTY OF NorComp AND SHALL NOT BE REPRODUCED, COPIED OR USED AS THE BASIS FOR THE MANUFACTURE OR SALE OF APPARATUS WITHOUT WRITTEN PERMISSION.		DRAWN: <b>C. SMITH</b>	DATE: <b>09-13-06</b>
			CHECKED:	DATE:
NorComp		SCALE: 1.5 = 1	SHEET 2	OF 2
		DWG NO. <b>68017W2103LYY1</b>		