



**Distributor of NorComp : Excellent Integrated System Limited**

Datasheet of 68111W1203L001 - D-Sub Connector Receptacle, Female Sockets 11 (10 + 1 Power) Position Through Hole Solder

Contact us: [sales@integrated-circuit.com](mailto:sales@integrated-circuit.com) Website: [www.integrated-circuit.com](http://www.integrated-circuit.com)

---

## **Excellent Integrated System Limited**

Stocking Distributor

Click to view price, real time Inventory, Delivery & Lifecycle Information:

[NorComp](#)

[68111W1203L001](#)

For any questions, you can email us directly:

[sales@integrated-circuit.com](mailto:sales@integrated-circuit.com)

DESCRIPTION: POWER / SIGNAL - VERTICAL BOARD - FEMALE

**SPECIFICATIONS:**

**ELECTRICAL:**

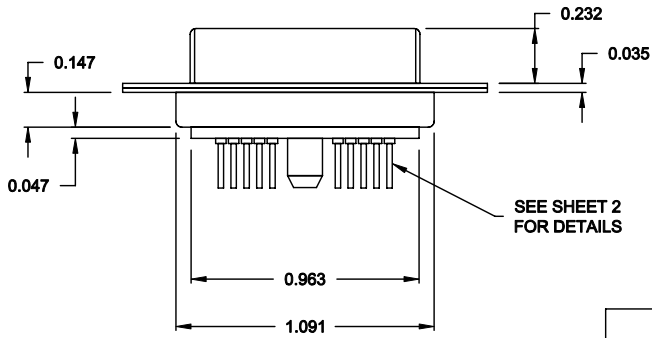
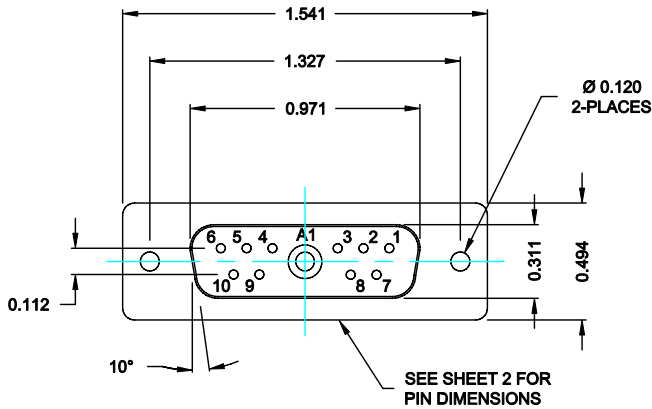
INSULATOR RESISTANCE: 5,000 MegOHMS Min.  
 DIELECTRIC WITHSTANDING: 1,000VAC r.m.s.  
 OPERATING TEMPERATURE: -55° C ~ +125° C  
 CONTACT RESISTANCE: 30 Milliohms Max.  
 POWER PINS: SEE PART No. BELOW  
 SIGNAL PINS: 3 AMPS

**MECHANICAL:**

CONTACT INSERTION FORCE: 4.5 Kg Max.  
 CONTACT SEPARATOR FORCE: 0.3Kg Min.

**MATERIALS:**


CONTACTS: BRASS  
 INSULATOR: PBT UL94V-0 RATED,  
 230°C PROCESS TEMP.  
 SHELL: STEEL  
 FINISH: NICKEL



**68111W1203L001**

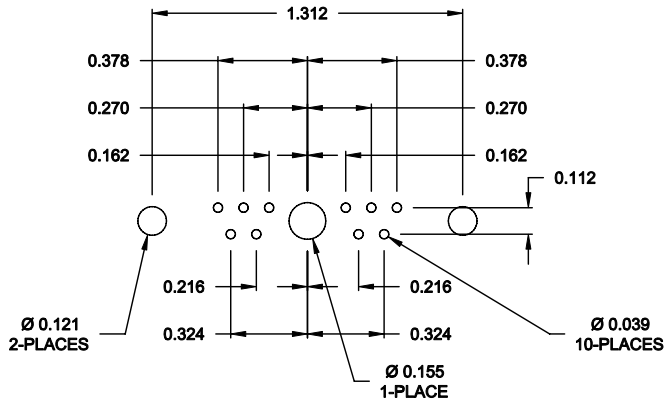
00 = 20 / 40 AMPS

**RoHS COMPLIANT**

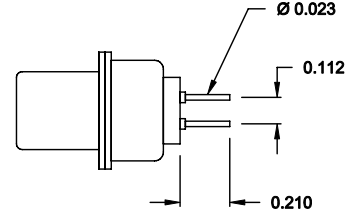
	THESE DRAWINGS AND SPECIFICATIONS ARE THE PROPERTY OF NorComp AND SHALL NOT BE REPRODUCED, COPIED OR USED AS THE BASIS FOR THE MANUFACTURE OF SALE OF APPARATUS WITHOUT WRITTEN PERMISSION.		DRAWN: <b>C. SMITH</b>	DATE: <b>09-20-06</b>
			CHECKED: <b>X</b>	DATE: <b>X</b>
<h1>NorComp</h1>		SCALE: <b>N.T.S.</b>	SHEET <b>1</b>	OF <b>2</b>
		DWG NO. <b>68111W1203L001</b>		

DESCRIPTION: 681 SERIES CONTACTS

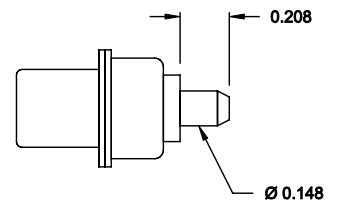
**NOTE:  
SIGNAL AND POWER CONTACTS  
COME PRE-LOADED INTO INSULATORS**



RECOMMENDED PCB LAYOUT



SIGNAL CONTACTS



POWER CONTACTS

**RoHS COMPLIANT**

	THESE DRAWINGS AND SPECIFICATIONS ARE THE PROPERTY OF NorComp AND SHALL NOT BE REPRODUCED, COPIED OR USED AS THE BASIS FOR THE MANUFACTURE OF SALE OF APPARATUS WITHOUT WRITTEN PERMISSION.	DRAWN: <b>C. SMITH</b>	DATE: <b>09-20-06</b>	
		CHECKED: <b>X</b>	DATE: <b>X</b>	
NorComp	SCALE: <b>N.T.S.</b>	SHEET <b>2</b>	OF <b>2</b>	REV <b>0</b>
	DWG NO. <b>68111W1203L001</b>			