

Excellent Integrated System Limited

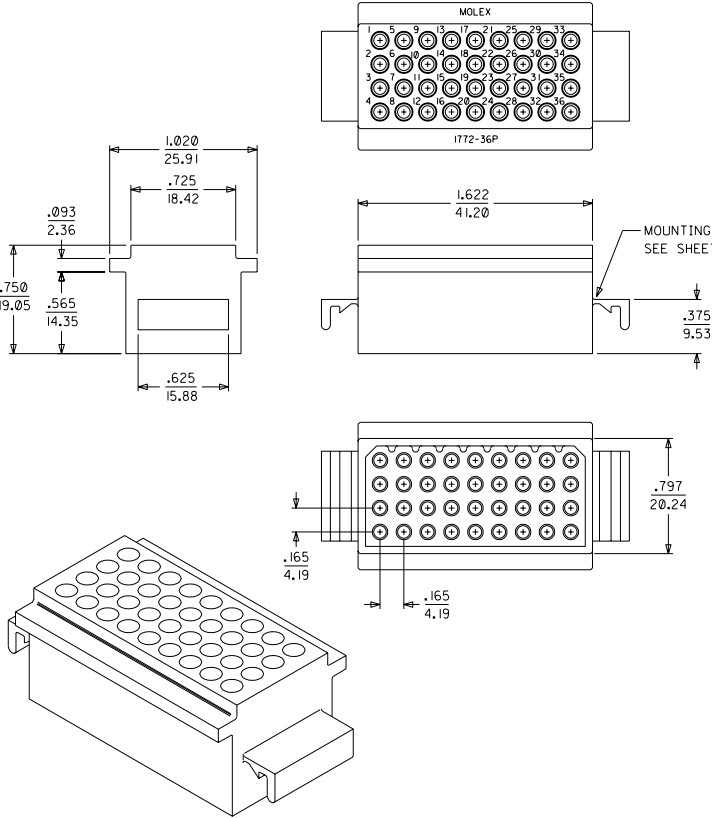
Stocking Distributor

Click to view price, real time Inventory, Delivery & Lifecycle Information:

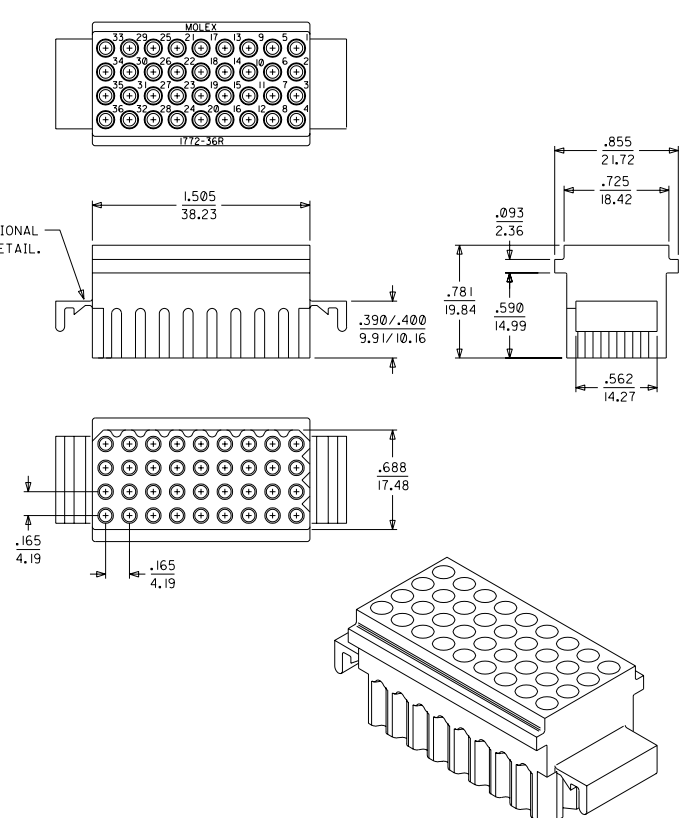
[Molex Connector Corporation](#)
[03-06-1361](#)

For any questions, you can email us directly:

sales@integrated-circuit.com



PLUG



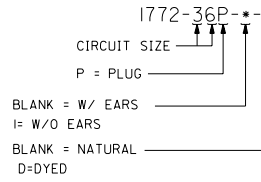
RECEPTACLE

CORRECT LEGENDS ADD PANEL DIMS EC NO: LCP2004-0895 DRAWN: ELHAG 11/10/03 CHN: ELHAG 11/10/03 APPR: F SMITH 11/11/03	QUALITY SYMBOLS MAJOR CRITICAL	GENERAL TOLERANCES: (UNLESS SPECIFIED) mm INCH 4 PLACES ±0.--- ±.005 3 PLACES ±0.13 ±.01 2 PLACES ±0.25 ±.--- 1 PLACE ±0. ±. ANGULAR: ± .5°	SCALE 2 : 1 DESIGN UNITS <input type="checkbox"/> mm <input checked="" type="checkbox"/> INCH	DRAWN BY & DATE JBS 06/10/03 CHECKED BY & DATE BW 06/13/03 APPROVED BY & DATE BW 06/16/03	DIMENSIONS: <input type="checkbox"/> mm <input checked="" type="checkbox"/> INCH <input type="checkbox"/> mm ONLY THIRD ANGLE PROJECTION	TITLE: .062/(1.57) HOUSING, PLUG AND RECEPTACLE, 36 - CIRCUIT	MOLEX INCORPORATED MATERIAL NO. SEE CHART DRAWING NO. SD-1772-36*---* SHEET NO. 1 of 2 SIZE C
	DRAFT WHERE APPLICABLE MUST REMAIN WITHIN DIMENSIONS	THIS DRAWING CONTAINS INFORMATION THAT IS PROPRIETARY TO MOLEX INCORPORATED AND SHOULD NOT BE USED WITHOUT WRITTEN PERMISSION.					
	REV C						

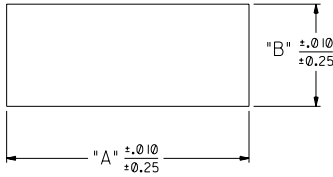
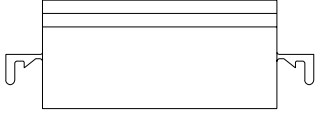
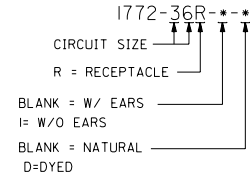
PLUG	
PART NO.	ENG. NO.
03-06-2361	1772-36P
03-06-2362	1772-36P-I
03-06-7361	1772-36P-D
03-06-7362	1772-36P-I-D

RECEPTACLE	
PART NO.	ENG. NO.
03-06-1361	1772-36R
03-06-1362	1772-36R-I
03-06-6361	1772-36R-D
03-06-6362	1772-36R-I-D

PLUG LEGEND:



RECEPTACLE LEGEND:



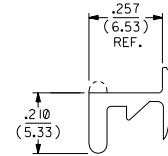
HOUSING	DIM. "A"	DIM. "B"
PLUG	1.795/(45.59)	.825/(20.96)
RECEPTACLE	1.677/(42.60)	.707/(17.96)

RECOMMENDED PANEL OPENING

* MAX. PANEL THICKNESS IS .060.

NOTES:

1. MATERIAL: PA 66, UL 94V-2; COLOR: NATURAL.
2. FINISH: NONE.
3. PRODUCT SPECIFICATION: NONE.
4. PACKAGING SPECIFICATION: NONE.
5. FOR USE WITH .062 SERIES TERMINALS.



MOUNTING EAR DETAIL

(SCALE 4:1)

DIMENSIONS SHOWN (METRIC) INCH UNLESS OTHERWISE SPECIFIED TOLERANCES: ANGULAR ± .005 (0)		▽ = 0	▽ = 2	REVISE ONLY ON CAD SYSTEM
± PLACE ± .005	---	TITLE .062/(1.57) HOUSING, PLUG AND RECEPTACLE, 36 CIRCUIT		
± PLACE ± .01	± 0.13	MOLEX INCORPORATED SHEET NO. 2 DATE 06/10/03		
± PLACE ---	± 0.25	SEE CHART SD-1772-36 ***-**-*		
DRAWING APPROVALS MUST REMAIN WITHIN DIMENSIONS		FILE NAME: SD1772-36 DGS		
DRG: JBS	CHKD: BW	THIS DRAWING CONTAINS INFORMATION THAT IS PROPRIETARY TO MOLEX INC. AND SHOULD NOT BE USED WITHOUT WRITTEN PERMISSION. (CP)		
APP'D: BW	SCALE: 2 : 1			
LTR. REVISIONS	LTR. REVISIONS			