

Excellent Integrated System Limited

Stocking Distributor

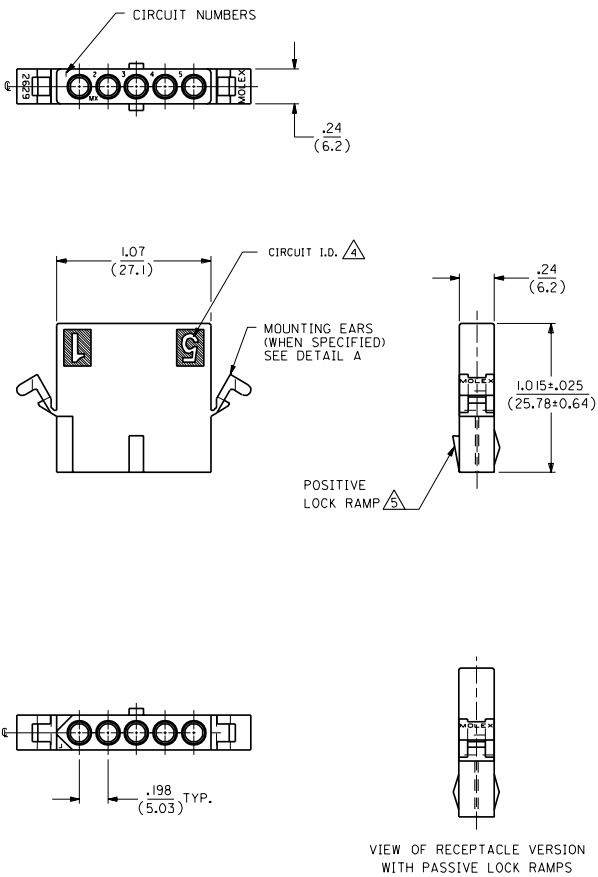
Click to view price, real time Inventory, Delivery & Lifecycle Information:

[Molex Connector Corporation](#)
[03-09-1054](#)

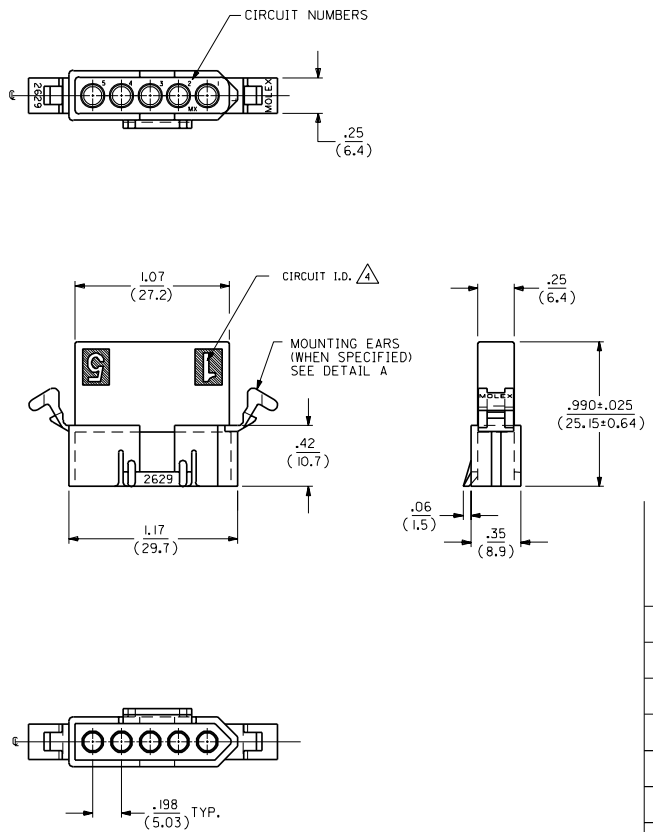
For any questions, you can email us directly:

sales@integrated-circuit.com

RECEPTACLE



PLUG



J	REVISED PER ECN #161508 05/31/96 CM
I	X-REMOVE -R2 ECN #161080 3-6-96 RW
K	ADD PASSIVE LOCKS ECN #150520 11-30-94 RW
J	ADD -P2 W/EDP ECN #150450 4/1/93 RW
I	X-REMOVE ECR U2 1005 ECN #1229/92 RW
HI	ADD -C MAT'L PER ECR U2 0741 ECN #577/92 RW
H	REVISE PER ECR U1 2237 ECN #1/9/92 RW
G	REVISED & REDRAWN ECR # UB1801 KEW 02-03-88 RW
J	
I	
J	

DIMENSIONS SHOWN METRIC INCH		UNLESS OTHERWISE SPECIFIED TOLERANCES APPLY TO DIMS	
3 PLACE	± .010	---	---
2 PLACE	± .014	± 0.25	
1 PLACE	---	± 0.35	
DRAFT ANGLES APPLICABLE MUST REMAIN WITHIN DIMENSIONS			
DRWG. BY: KBW	CHKD. BY: RW	FILE NAME: 03-09-1054	DATE: 2/2/89
APP'D. BY: RAS	SCALE: 2:1	THIS DRAWING CONTAINS INFORMATION THAT IS PROPRIETARY TO MOLEX INC. AND SHOULD NOT BE USED WITHOUT WRITTEN PERMISSION.	CP

MFG. SH. REV. LTR. REVISIONS	
2	J
1	J
1	G
REVISE ONLY ON CAD SYSTEM	
TITLE: .093/(2.36) HOUSINGS PLUG & RECEPTACLE 5 CIRCUIT, .198 (5.03)C	
PART NO. SD-2629-#	
SEE CHART	

PLUG		RECEPTACLE	
ORDER NO	ENG NO	ORDER NO	ENG NO
03-09-2057	2629-P1	03-09-1057	2629-R1
PRELIMINARY	2629-P	PRELIMINARY	2629-R
		03-09-1054	2629-R2

LEGEND:

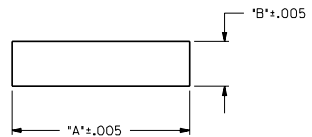
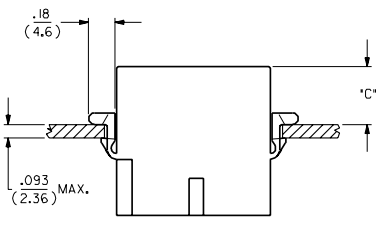
TYPE: _____
P = PLUG
R = RECEPTACLE

PLUG FEATURES: _____
BLANK = WITH PREBENT EARS
1 = WITHOUT EARS

RECEPTACLE FEATURES: _____
BLANK = WITH PREBENT EARS, WITH POSITIVE LOCK RAMP
1 = WITHOUT EARS, WITH POSITIVE LOCK RAMP
2 = WITHOUT EARS, WITH PASSIVE LOCK RAMP

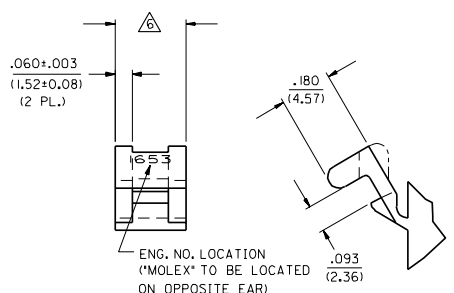
COLOR: _____
BLANK = NATURAL COLOR
AM = AMBER BK = BLACK BU = BLUE
BN = BROWN CY = GRAY GN = GREEN
OR = ORANGE RD = RED YW = YELLOW

MATERIAL: _____
BLANK = NYLON TYPE 66, 94V-2 PER SMES-128-A*



RECOMMENDED PANEL OPENING

HOUSING	DIM. 'A'	DIM. 'B'	'C' PREBENT EAR
PLUG	1.33/(33.78)	.42/(10.67)	.40/(10.1)
RECEPT.	1.23/(31.24)	.31/(7.87)	.42/(10.6)



- NOTES:
1. MOLEX PRODUCT SPEC 02-09 APPLIES.
 2. 2629-P* (PLUG) WILL ACCEPT 2629-R* 5 CIRCUIT RECEPTACLES OR 1490-R* 4 CIRCUIT RECEPTACLE.
 3. ACCEPTS MOLEX .093 SERIES TERMINALS.
- ⚠️ CIRCUIT I.D. NUMBERS ON HOUSING APPEAR ON PARTS FROM TOOLS BUILT AFTER 1/6/92.
- ⚠️ LOCK RAMP ON THIS SIDE OF PART AVAILABLE IN EITHER A POSITIVE LOCK RAMP OR PASSIVE LOCK RAMP STYLE.
- ⚠️ FOR DIMENSION, SEE SHEET I.

DETAIL A
.093/(2.36) PREBENT MOUNTING EAR
(SCALE 4:1)

		I	SEE SHEET I	DIMENSIONS SHOWN METRIC INCH		-0 -0		REVISE ONLY ON CAD SYSTEM	
		K	SEE SHEET I	UNLESS OTHERWISE SPECIFIED TOLERANCES ARE AS SHOWN		TITLE		.093/(2.36) HOUSINGS	
		J	SEE SHEET I	INCH METRIC		PLUG & RECEPTACLE		5 CIRCUIT .198/(5.03)	
		I	SEE SHEET I	3 PLACE ± .010 ---		MOLEX INCORPORATED		SHEET NO. DATE	
		HI	SEE SHEET I	2 PLACE ± .014 ± 0.25		MOLEX INCORPORATED		2 / 3/89	
		H	SEE SHEET I	1 PLACE --- ± 0.35		MOLEX INCORPORATED		SHEET NO. DATE	
		J	SEE SHEET I	DRAFT DIMENSIONS APPLICABLE MUST REMAIN WITHIN DIMENSIONS		SEE CHART		SD-2629-*	
		LTR.	REVISIONS	G	SEE SHEET I	FILE NAME		THIS DRAWING CONTAINS INFORMATION THAT IS PROPRIETARY TO MOLEX INC. AND SHOULD NOT BE USED WITHOUT WRITTEN PERMISSION. CP	
		LTR.	REVISIONS	G	SEE SHEET I	SCALE		2:1	