

## **Excellent Integrated System Limited**

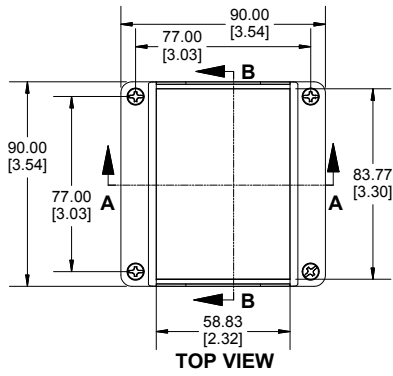
Stocking Distributor

Click to view price, real time Inventory, Delivery & Lifecycle Information:

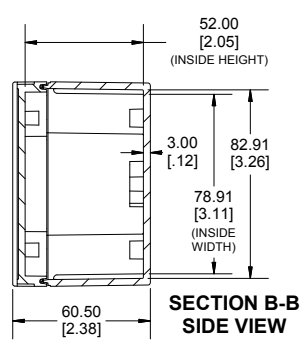
[Hammond Manufacturing](#)  
[1555EGY](#)

For any questions, you can email us directly:

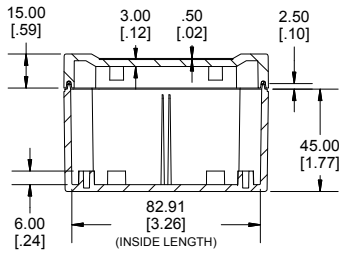
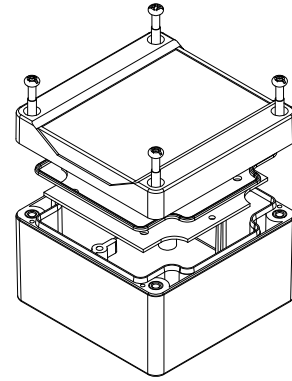
[sales@integrated-circuit.com](mailto:sales@integrated-circuit.com)



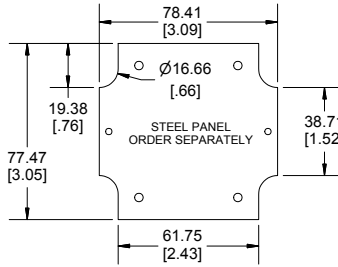
**TOP VIEW**



**SECTION B-B  
SIDE VIEW**



**SECTION A-A  
SIDE VIEW**

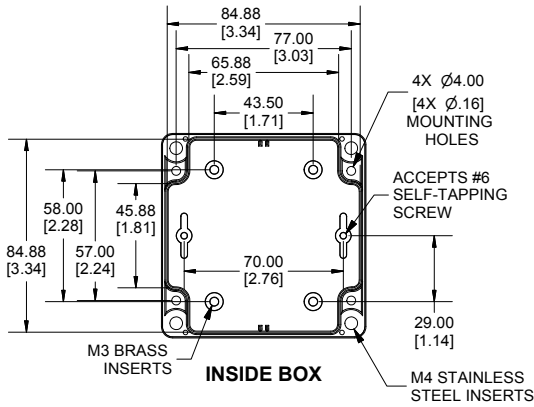


Enclosures can be Factory Modified ( Milling, Drilling, Printing etc.)  
Contact Factory mjm@hammondmfg.com for quotes  
Solid models of this enclosure available in STEP or IGES.  
(Part number and text placement/orientation on our products are subject to change.  
We do not recommend using them as a locating reference for modification purposes)

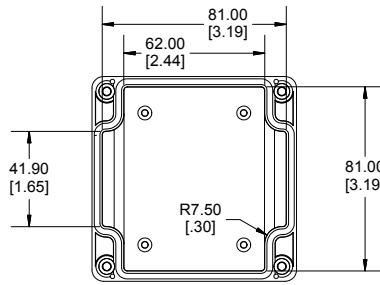
**NOTE**

Purchased assembly includes box, styled lid, 4 cover screws, and preformed silicone gasket.  
General Purpose ABS version is not UL approved. (Matl UL94 - HB)  
Polycarbonate version is UL 508 approved. (Matl UL94 - 5VA @ 3mm)

**Recommended Cover screw torque -- 2.5 lbf-in (30 cN-m)**



**INSIDE BOX**



**INSIDE LID**

Dimensions:  
mm  
[inches]

1555E	
1555E Regular Enclosure	
General Purpose ABS RAL-7035	1555EGY
Polycarbonate RAL-7035	1555E2GY
ACCESSORIES	
Steel Inner Panels	1554EPL
Steel Panel / P.C. Board Machine Screw [M3 x 8mm Plated]	1591MM100
Steel Panel / P.C. Board Self Tapping Screw [#6 X 1/4" (6.4mm) Plated]	1598ATS100
Cover Screws (Pkg 4) [M4 X 20mm Stainless Steel]	SC1554
Silicone Pre-formed Gasket Black	1554EGASKET

